

Technical data sheet

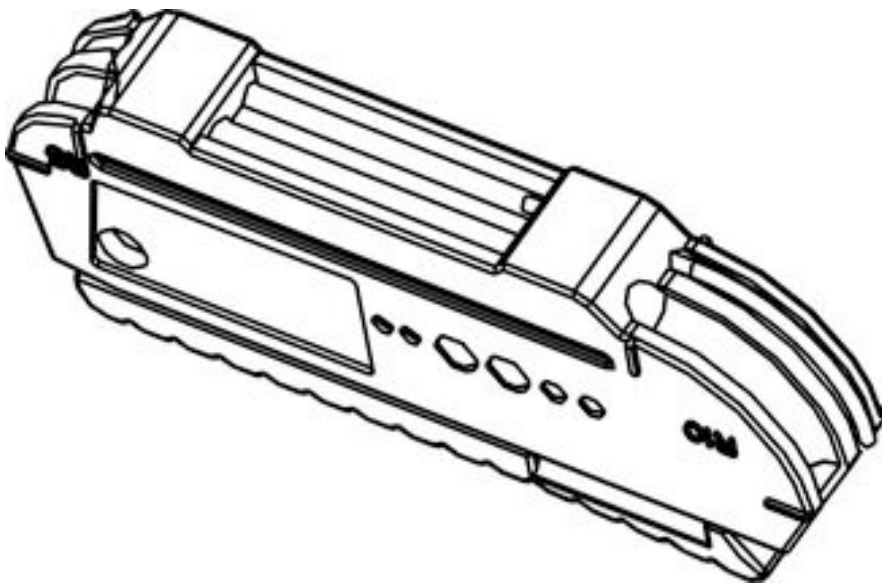
Tool

Part no.: 50117785

KLC-4530

Contents

- Technical data



For illustration purposes only

Technical data

Basic data

Type	Cutting tool
Suitable for	KF
	KFX

Mechanical data

Net weight	59 g
------------	------

Classification

Customs tariff number	90139080
ECLASS 5.1.4	21049090
ECLASS 8.0	21049090
ECLASS 9.0	21040222
ECLASS 10.0	21049090
ECLASS 11.0	21049090
ECLASS 12.0	21049090
ECLASS 13.0	21049090
ECLASS 14.0	21049090
ECLASS 15.0	21049090
ECLASS 16.0	21049090
ETIM 5.0	EC000163
ETIM 6.0	EC000163
ETIM 7.0	EC000163
ETIM 8.0	EC000163
ETIM 9.0	EC000163
ETIM 10.0	EC000163
UNSPSC 26.08	27110000