

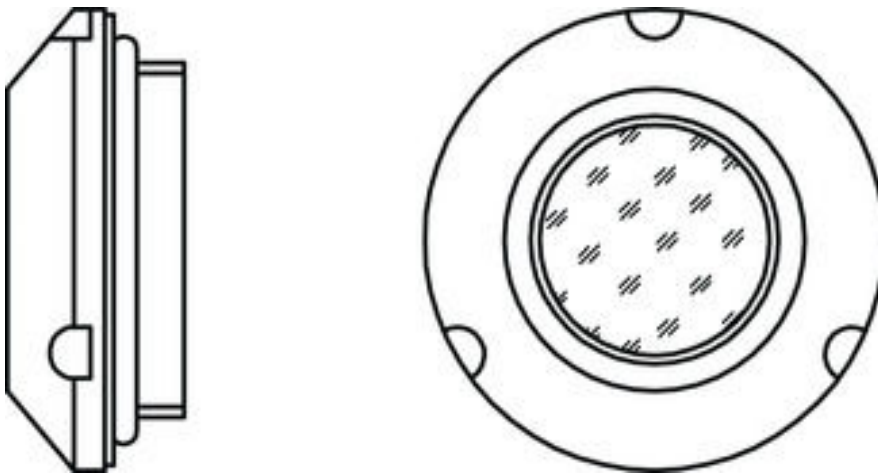
Technical data sheet Interchangeable lens

Part no.: 50034051

OB 12-KRT 20

Contents

- Technical data
- Dimensioned drawings



For illustration purposes only

Technical data

Basic data

Suitable for	KRT 20
--------------	--------

Optical data

Operating range	0 ... 0.012 m
-----------------	---------------

Mechanical data

Net weight	10 g
------------	------

Classification

Customs tariff number	85389099
ECLASS 5.1.4	27279205
ECLASS 8.0	27279205
ECLASS 9.0	27273603
ECLASS 10.0	27273603
ECLASS 11.0	27273603
ECLASS 12.0	27273603
ECLASS 13.0	27273603
ECLASS 14.0	27273603
ECLASS 15.0	27273603
ECLASS 16.0	27273603
ETIM 5.0	EC002498
ETIM 6.0	EC003015
ETIM 7.0	EC003015
ETIM 8.0	EC003015
ETIM 9.0	EC003015
ETIM 10.0	EC003015
UNSPSC 26.08	31241501

Dimensioned drawings

All dimensions in millimeters

