

Technical data sheet

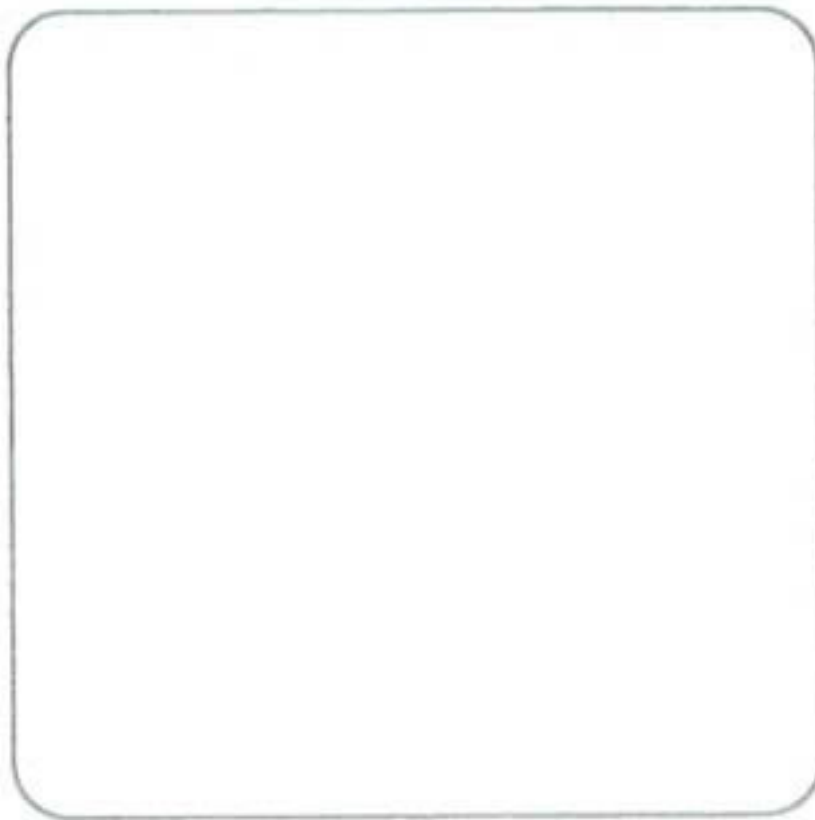
Transponder

Part no.: 50109232

TFM 05 2210.210

Contents

- Technical data
- Dimensioned drawings
- Notes
- Further information



For illustration purposes only



Technical data

Basic data

Series	TFM
Suitable for	RFM
Chip	I-CodeSLI
Working frequency	13.56 MHz

Electrical data

Performance data

Memory size	112 B
Memory block	28 Piece(s)

Certifications

Standards applied	ISO 15693
-------------------	-----------

Mechanical data

Design	Label
Dimension (W x H x L)	50 mm x 50 mm
Housing material	Metal
Net weight	2 g

Environmental data

Ambient temperature, operation	-40 ... 85 °C
Ambient temperature, storage	-40 ... 100 °C

Certifications

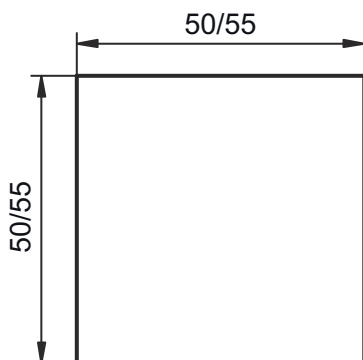
Degree of protection	IP 67
----------------------	-------

Classification

Customs tariff number	85235200
ECLASS 5.1.4	27289200
ECLASS 8.0	27289290
ECLASS 9.0	27280402
ECLASS 10.0	27280402
ECLASS 11.0	27280402
ECLASS 12.0	27280402
ECLASS 13.0	27280402
ECLASS 14.0	27280402
ECLASS 15.0	27280402
ECLASS 16.0	27280402
ETIM 5.0	EC002498
ETIM 6.0	EC002996
ETIM 7.0	EC002996
ETIM 8.0	EC002996
ETIM 9.0	EC002996
ETIM 10.0	EC002996
UNSPSC 26.08	43211710

Dimensioned drawings

All dimensions in millimeters



Notes



Observe intended use!



- ⚠ This product is not a safety sensor and is not intended as personnel protection.
- ⚠ The product may only be put into operation by competent persons.
- ⚠ Only use the product in accordance with its intended use.

Further information

- Under certain circumstances, metal in the reading field reduces the operating range considerably.