

Technical data sheet

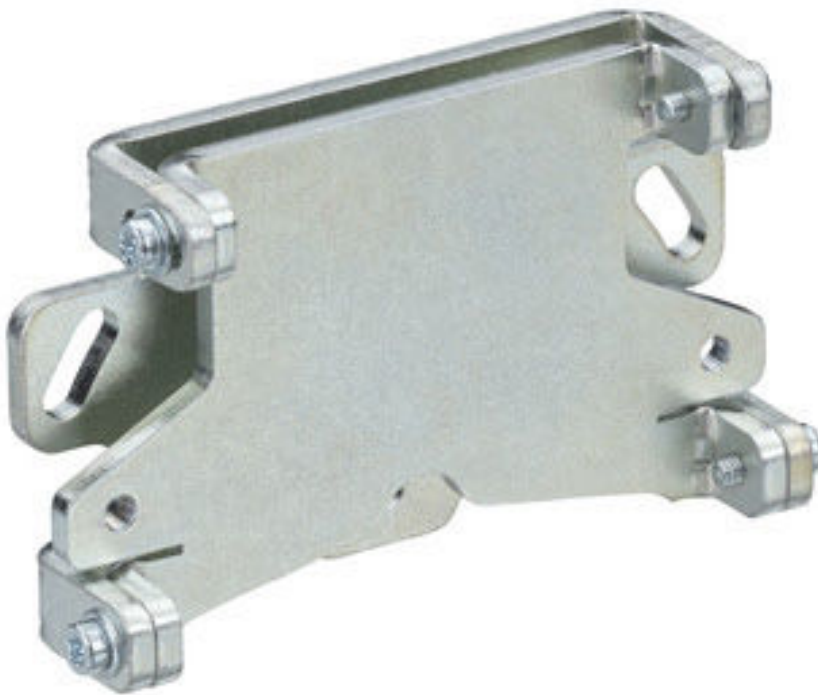
Mounting system

Part no.: 50153212

BTU 510M-Set

Contents

- Technical data
- Dimensioned drawings
- Notes



For illustration purposes only

Technical data

Basic data

Suitable for	Laser scanner ROD 300, ROD 500
--------------	--------------------------------

Mechanical data

Dimension (W x H x L)	90 mm x 66 mm x 29 mm
Net weight	510 g
Housing color	Silver
Design of mounting device	Mounting system, adjustability in 2 axes
Type of fastening, at system	Through-hole mounting
Type of fastening, at device	Screw type
Swivel range	-5 ... 5 °
Mounting device material	Steel, galvanized

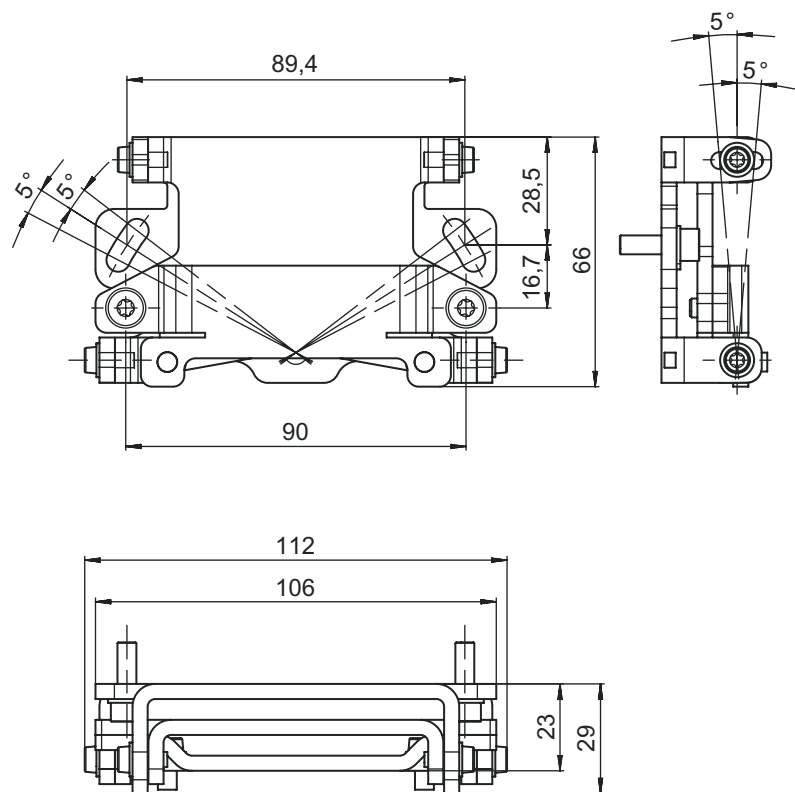
Classification

Customs tariff number	83024900
ECLASS 5.1.4	27279202
ECLASS 8.0	27279202
ECLASS 9.0	27273701
ECLASS 10.0	27273701
ECLASS 11.0	27273701
ECLASS 12.0	27273701
ECLASS 13.0	27273701
ECLASS 14.0	27273701
ECLASS 15.0	27273701
ETIM 5.0	EC002498
ETIM 6.0	EC003015
ETIM 7.0	EC003015
ETIM 8.0	EC003015
ETIM 9.0	EC003015
ETIM 10.0	EC003015

Dimensioned drawings

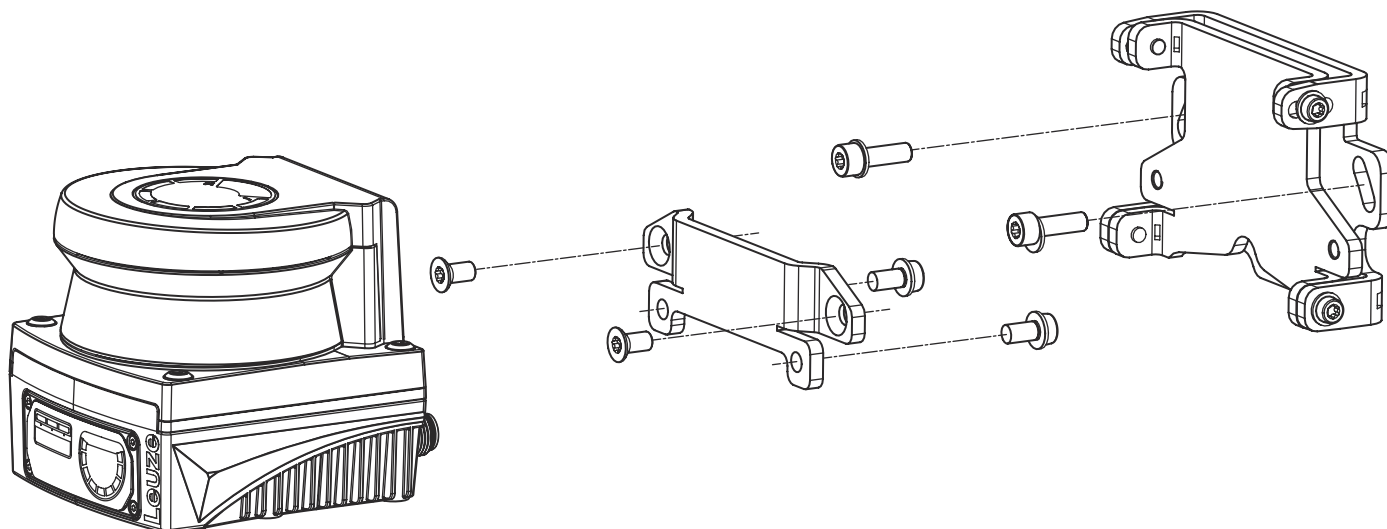
All dimensions in millimeters

Mounting system BTU 510M



Dimensioned drawings

Mounting with wall mount and attachment adapter



- Mount the wall mount on the system side. Two M5x16 cylinder head screws with washers are included for this purpose.
- Mount the safety sensor on the BT 510M attachment adapter using the enclosed M5x10 countersunk screws (tightening torque = 2.3 Nm).
- Mount the safety sensor (with the attachment adapter) on the BTU 510M mounting system. Fasten the countersunk head screw with 4.5 Nm.
- Align the safety sensor on the BTU 510M mounting system vertically and horizontally:
 - using the slotted holes in the wall section with the M5 cylinder head screws as well as
 - using the inclination via the slotted holes of the M4 cylinder head screws.
- After aligning the safety sensor, secure it by tightening the four M4 cylinder head screws to 3.0 Nm and the M5 cylinder head screws on the system side.

Notes

NOTE



↗ The scanner can also be mounted directly on the mounting system without the BT 510M mounting adapter. Please note that the scanning range is limited to -135° ... $+135^{\circ}$.