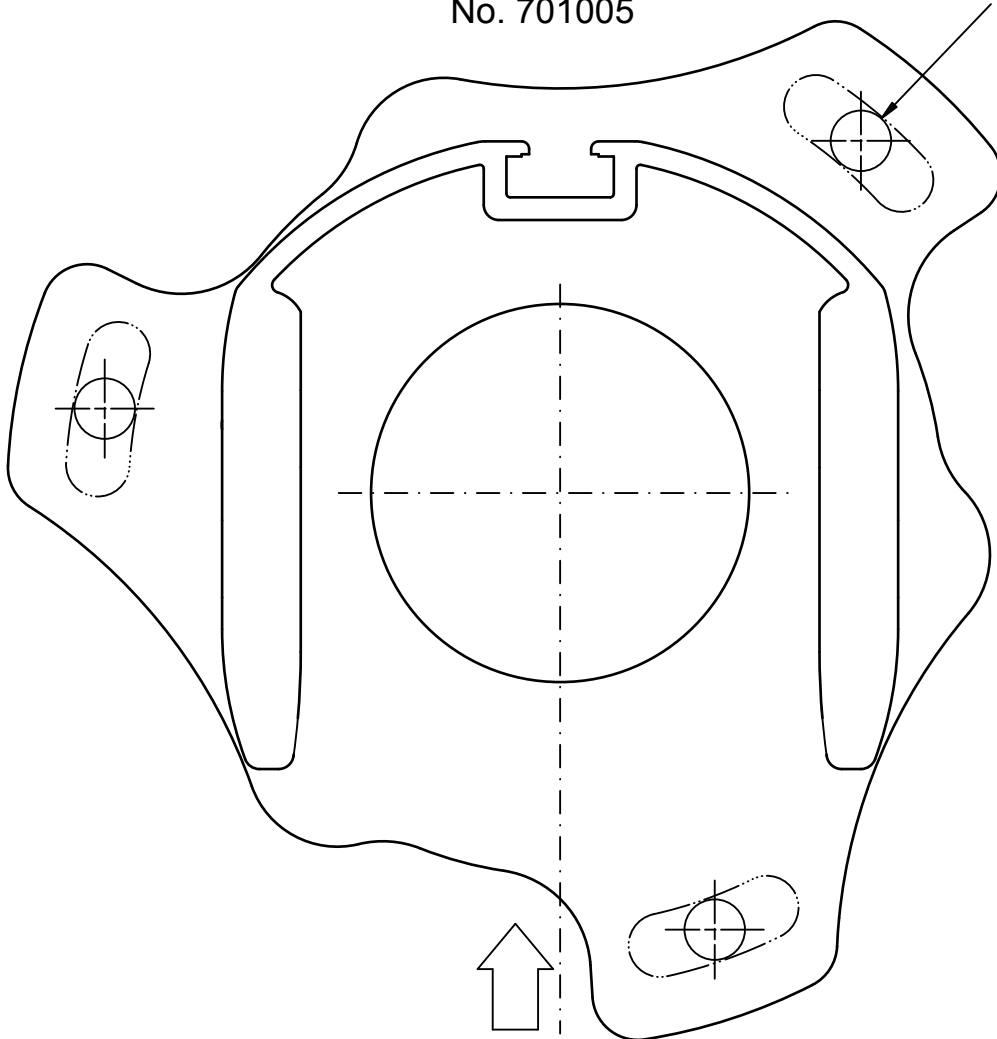


Bohrschablone / drilling jig
DC-S2
No. 701005

Ø 8 (3x)



FRONT