

## Technical data sheet

### E-STOP rope switch

Part no.: 63000502

ERS200-M4C3-M20-HLR

#### Contents

- Technical data
- Dimensioned drawings
- Electrical connection



For illustration purposes only



## Technical data

### Basic data

Series	ERS200
Type	E-Stop command device, EN ISO 13850, EN 60947-5-5

### Functions

Functions	<p>Clicks in on both sides with positive-opening contacts</p> <p>Position-independent E-STOP command input</p> <p>Reset function (reset button with indicator)</p> <p>Simple rope adjustment by means of switching point indicator</p>
-----------	--

### Characteristic parameters

Mission time $T_M$	20 years, EN ISO 13849-1
$B10_d$	2,000,000 number of cycles

### Electrical data

Usage category at DC 13	Ue / Ie: 24 V / 6 A, 125 V / 1.1 A, 250 V / 0.4 A, EN 60947-5-1
Usage category at AC 15	Ue / Ie: 250 V / 6 A, 400 V / 4 A, 500 V / 1 A, EN 60947-5-1
Contact allocation	2NC + 1NO
Contact opening	Force-fit
Short circuit protected	500 V, 10 A, type aM, IEC 60269-1
<b>Performance data</b>	
Rated insulation voltage	400 V AC, 500 V DC
Conventional thermal current, max.	10 A

### Connection

Number of connections	1 Piece(s)
Number of cable entries	3 Piece(s)
<b>Connection 1</b>	
Function	Contact connection
Type of connection	Terminal
Type of terminal	Screw terminal
No. of pins	6 -pin
<b>Cable properties</b>	
Connection cross sections	1 x 0.34 mm <sup>2</sup> to 2 x 1.5 mm <sup>2</sup> , wire

### Mechanical data

Dimension (W x H x L)	56 mm x 47.8 mm x 129 mm
Housing material	Metal
Metal housing	ZAMAK
Electrical contact material	Silver alloy
Net weight	273 g
Housing color	Gray
	Red
Type of fastening	Through-hole mounting
Type of cable entry	M20 x 1.5
Installation position	On rope pull axis
Switch type	E-Stop command device, EN ISO 13850
Switching principle	Slow-action contact
Mechanical life time	1,000,000 actuation cycles, IEC 6047-5-1
Actuation frequency, max.	600 per hour, IEC 6047-5-1
External actuator	Rope
Actuator, rope length, max. (at 20 °C temperature difference)	24 m
Extraction force, unlocked actuator	83 N
Actuation force (pull-out with forced separation)	90 N
Actuation force (slacken)	63 N
Actuation directions	On longitudinal axis
Actuating path with forced separation	8 mm
Type of actuation	Rope
Type of unlocking	Indicator button (pull)
Head material	Plastic

### Environmental data

Ambient temperature, operation	-25 ... 80 °C
Degree of contamination	3, EN 60947-1

### Certifications

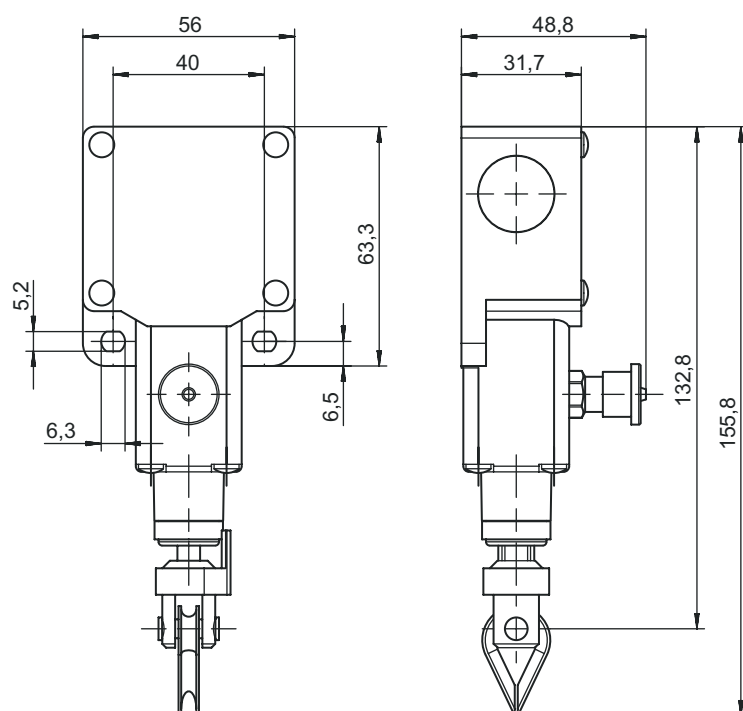
Degree of protection	IP 67
Approvals	c UL US
	IMQ

### Classification

Customs tariff number	85369095
ECLASS 5.1.4	27270690
ECLASS 8.0	27270607
ECLASS 9.0	27371201
ECLASS 10.0	27371201
ECLASS 11.0	27371201
ECLASS 12.0	27371201
ECLASS 13.0	27371201
ECLASS 14.0	27371201
ECLASS 15.0	27371201
ECLASS 16.0	27371201
ETIM 5.0	EC002033
ETIM 6.0	EC002033
ETIM 7.0	EC002033
ETIM 8.0	EC002033
ETIM 9.0	EC002033
ETIM 10.0	EC002033
UNSPSC 26.08	39122205

## Dimensioned drawings

All dimensions in millimeters



## Electrical connection

### Connection 1

Function	Contact connection
Type of connection	Terminal
Type of terminal	Screw terminal
No. of pins	6 -pin

Terminal	Assignment
11	NC(1)
12	NC(1)
21	NC(2)
22	NC(2)
33	NO(1)
34	NO(1)