

Technical data sheet

Glass fiber optics type diffuse reflective

Part no.: 50126478

GF-ETG-SS-605-IQ

Contents

- Technical data
- Dimensioned drawings
- Notes
- Further information



For illustration purposes only

Technical data

Basic data

| | |
|---------------------|------------------------------|
| Series | GF |
| Operating principle | Diffuse reflection principle |
| Area of application | General applications |

Special version

| | |
|-----------------|----------------|
| Special version | Heat resistant |
|-----------------|----------------|

Optical data

| | |
|--------------------------------|--|
| Opening angle | 65 ° |
| Light beam exit | On face |
| Fiber core | 50%/50% fiber configuration Multiple fiber core |
| Fiber core material | Glass |
| Active fiber diameter | 2.5 mm |
| Operating range with LV463 | 2 ... 180 mm |
| Operating range with LV463.XV | 3 ... 305 mm |
| Operating range with LV463.XR | 5 ... 450 mm |
| Operating range with LV463I.XR | 10 ... 900 mm |

Mechanical data

| | |
|-------------------------------------|-------------------------|
| Design | Cylindrical |
| Outer diameter | 7 mm |
| Net weight | 43 g |
| Head material | Stainless steel |
| Type | Glass fiber optics (GF) |
| Fiber length | 500 mm |
| Fiber sheathing material | Stainless steel |
| Fastening of the probe | Ø 6 mm |
| Smallest bending radius (static) | R40 |
| Smallest bending radius (moving) | R40 |
| Sleeve length at optical outlet | 10 mm |
| Metric thread on fiber optic sleeve | No |
| Laying | standard |

Environmental data

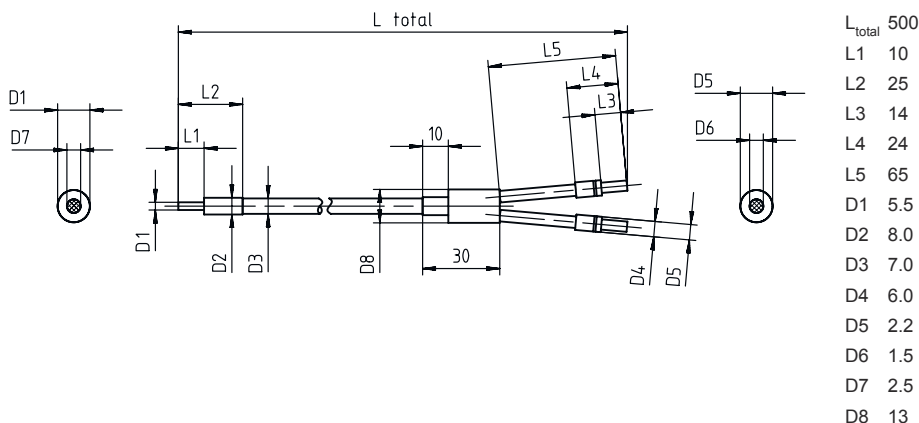
| | |
|--------------------------------|-------------------------------|
| Ambient temperature, operation | -30 ... 200 °C, 300°C <15 min |
|--------------------------------|-------------------------------|

Classification

| | |
|-----------------------|----------|
| Customs tariff number | 90011090 |
| ECLASS 5.1.4 | 27270905 |
| ECLASS 8.0 | 27270905 |
| ECLASS 9.0 | 27270905 |
| ECLASS 10.0 | 27270905 |
| ECLASS 11.0 | 27273606 |
| ECLASS 12.0 | 27273606 |
| ECLASS 13.0 | 27273606 |
| ECLASS 14.0 | 27273606 |
| ECLASS 15.0 | 27273606 |
| ECLASS 16.0 | 27273606 |
| ETIM 5.0 | EC002651 |
| ETIM 6.0 | EC002651 |
| ETIM 7.0 | EC002651 |
| ETIM 8.0 | EC002651 |
| ETIM 9.0 | EC002651 |
| ETIM 10.0 | EC002651 |
| UNSPSC 26.08 | 41112103 |

Dimensioned drawings

All dimensions in millimeters



Notes



Observe intended use!



- ⌘ This product is not a safety sensor and is not intended as personnel protection.
- ⌘ The product may only be put into operation by competent persons.
- ⌘ Only use the product in accordance with its intended use.

Further information

- Suitable products for operating these fiber optics are the fiber optic amplifiers LV461, LV462B as well as LV463, LV463.XV and LV463.XR.
- Operating range measured on a white object (90% diffuse reflection) with the following settings on the fiber optic amplifier:
 - max. response time
 - max. amplification
 - min. switching threshold
- The maximum range is limited by the length of the light conductor.
- The specified operating temperatures apply to fixed fiber installations. Temperature resistance is reduced in flexible installations.