

## Technical data sheet

### Fieldbus gateway

Part no.: 50132995

MSI-FB-PROFIBUS

#### Contents

- Technical data
- Dimensioned drawings
- Electrical connection
- Circuit diagrams
- Notes



For illustration purposes only



# Technical data

## Basic data

Series	MSI-FB
Type	Fieldbus gateway
Application	Transfer of MSI 400 diagnostic data via PROFIBUS

## Functions

Functions	Fieldbus module for the MSI 400 for connecting to PROFIBUS
-----------	--

## Electrical data

<b>Performance data</b>	
Supply voltage $U_B$	24 V, DC, -20 ... 25 %

### Output circuit

## Interface

Type	Internal bus (SBUS+), PROFIBUS DP
<b>PROFIBUS DP</b>	
Function	Process
Classification	V0

## Connection

Number of connections	1 Piece(s)
<b>Connection 1</b>	
Function	BUS IN BUS OUT
Type of connection	Sub-D
Type	Female
No. of pins	9 -pin

## Mechanical data

Dimension (W x H x L)	22.5 mm x 96.5 mm x 126.5 mm
Net weight	160 g
Housing color	Gray
Type of fastening	Snap-on mounting

## Environmental data

Ambient temperature, operation	-25 ... 55 °C
Ambient temperature, storage	-25 ... 70 °C
Relative humidity (non-condensing)	10 ... 95 %

## Certifications

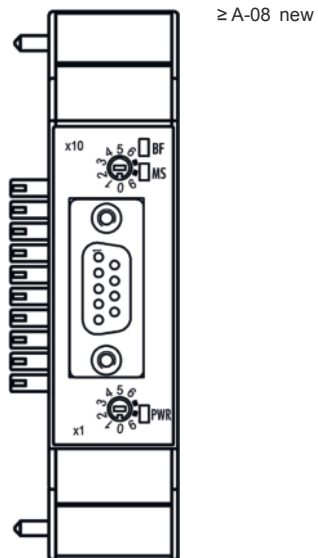
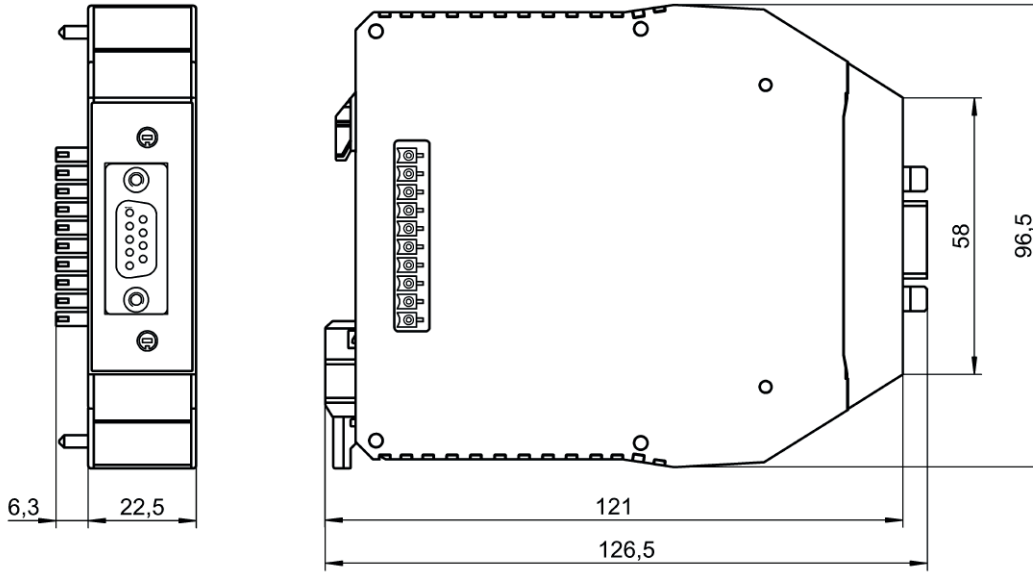
Degree of protection	IP 20
Certifications	c UL US
Vibration resistance	5 ... 150 Hz
Test procedure for oscillation in accordance with standard	EN 60068-2-6
Shock resistance, single shock	30 g, 11 ms, EN 60068-2-27
Shock resistance, continuous shock	10 g, 16 ms, EN 60068-2-29

## Classification

Customs tariff number	85364900
ECLASS 5.1.4	27242208
ECLASS 8.0	27242208
ECLASS 9.0	27242208
ECLASS 10.0	27242208
ECLASS 11.0	27242208
ECLASS 12.0	27242208
ECLASS 13.0	27242208
ECLASS 14.0	27242208
ETIM 5.0	EC001423
ETIM 6.0	EC001423
ETIM 7.0	EC001423
ETIM 8.0	EC001423
ETIM 9.0	EC001423

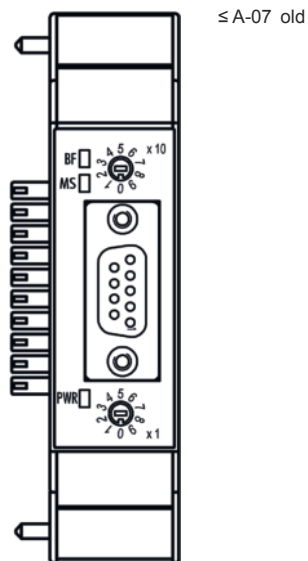
# Dimensioned drawings

All dimensions in millimeters



≥ A-08 new

# Dimensioned drawings



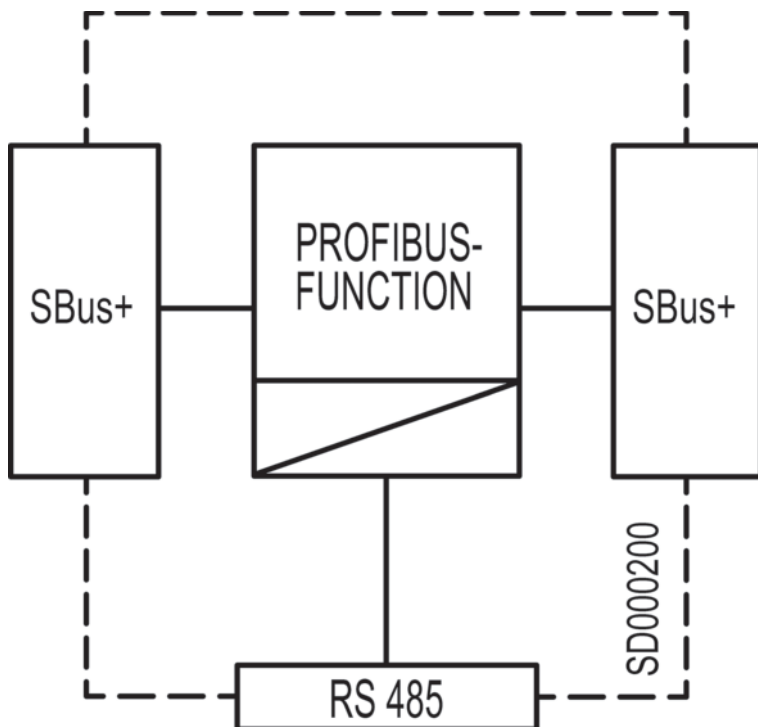
## Electrical connection

### Connection 1

Function	BUS IN
	BUS OUT
Type of connection	Sub-D
Type	Female
No. of pins	9 -pin

Pin	Pin assignment
1	n.c.
2	n.c.
3	RxD/TxD-P
4	CNTR-P
5	GND-EXT
6	5 V-EXT
7	n.c.
8	RxD/TxD-N
9	CNTR-N (GND-EXT)

## Circuit diagrams



## Notes



Observe intended use!



- ↪ The product may only be put into operation by competent persons.
- ↪ Only use the product in accordance with its intended use.