

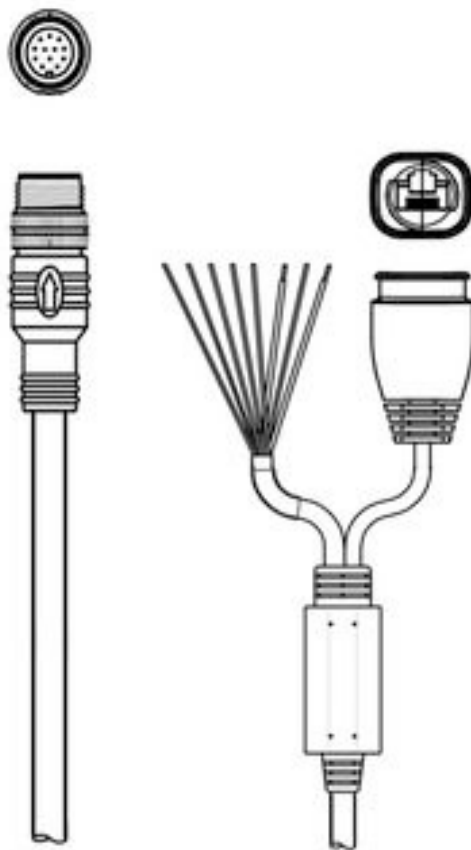
## Technical data sheet Interconnection cable

Part no.: 50154484

KY DCR 108

### Contents

- Technical data
- Dimensioned drawings
- Electrical connection



For illustration purposes only

## Technical data

### Basic data

<b>Suitable for</b>	Connection for communication and power DCR 100i (Connection Variant 3 - single industrial plug)
---------------------	--

### Connection

#### Connection 1

<b>Function</b>	Master connection
<b>Type of connection</b>	Connector
<b>Thread size</b>	M12
<b>Type</b>	Male
<b>No. of pins</b>	12 -pin
<b>Encoding</b>	A-coded
<b>Version</b>	Axial

#### Connection 2

<b>Type of connection</b>	Open end
---------------------------	----------

#### Connection 3

<b>Type of connection</b>	RJ45
<b>Type</b>	Female

#### Cable properties

<b>Shielded</b>	Yes
<b>Cable length</b>	3,000 mm
<b>Suitability for drag chains</b>	Yes

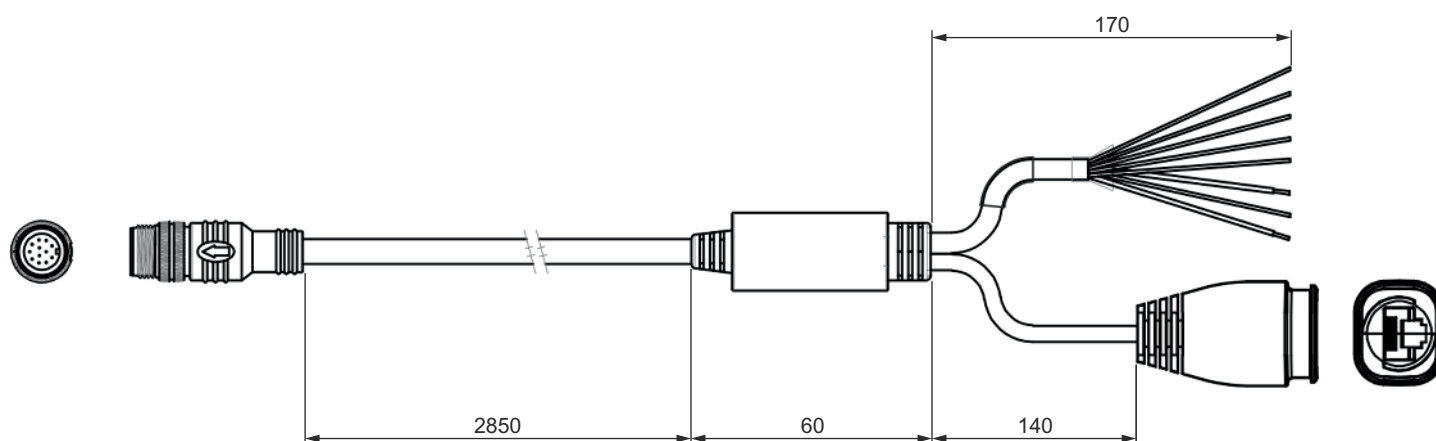
### Classification

<b>Customs tariff number</b>	85444290
<b>ECLASS 5.1.4</b>	27279201
<b>ECLASS 8.0</b>	27279218
<b>ECLASS 9.0</b>	27060311
<b>ECLASS 10.0</b>	27060311
<b>ECLASS 11.0</b>	27060311
<b>ECLASS 12.0</b>	27060311
<b>ECLASS 13.0</b>	27060311
<b>ECLASS 14.0</b>	27060311
<b>ECLASS 15.0</b>	27060311
<b>ECLASS 16.0</b>	27060311
<b>ETIM 5.0</b>	EC001855
<b>ETIM 6.0</b>	EC001855
<b>ETIM 7.0</b>	EC001855
<b>ETIM 8.0</b>	EC001855
<b>ETIM 9.0</b>	EC001855
<b>ETIM 10.0</b>	EC001855
<b>UNSPSC 26.08</b>	26121604

## Dimensioned drawings

All dimensions in millimeters

All dimensions are in millimeters, with a tolerance of  $\pm 10$  mm

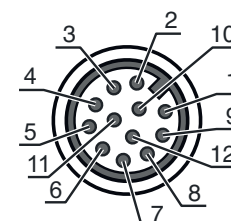


## Electrical connection

### Connection 1

Function	Master connection
Type of connection	Connector
Thread size	M12
Type	Male
No. of pins	12 -pin
Encoding	A-coded
Version	Axial

Pin	Pin assignment
1	RS 232 TxD
2	Output 1 (No read)
3	Shield GND
4	Trigger IN
5	Output 2 (Good read)
6	GND
7	RS 232 RxD
8	Tx+
9	Tx-
10	V+
11	Rx-
12	Rx+



### Connection 2

Type of connection	Open end
--------------------	----------

Conductor color	Conductor assignment
Red	V+
Black	GND
Purple	RS 232 TxD
Purple-White	RS 232 RxD
Gray	Output 2 (Good read)
Brown	Output 1 (No read)
Pink	Shield GND
White	Trigger input

### Connection 3

Type of connection	RJ45
Type	Female

Pin	Pin assignment
1	Tx+
2	Tx-
3	Rx-
6	Rx+