

Technical data sheet

Safety switch

Part no.: 63000505

ERS200-M4C1-M20-HLR79

Contents

- Technical data
- Dimensioned drawings
- Electrical connection



For illustration purposes only



Technical data

Basic data

| | |
|--------|--------|
| Series | ERS200 |
|--------|--------|

Functions

| | |
|-----------|---|
| Functions | Model without reset button Safe shutdown of machines |
|-----------|---|

Characteristic parameters

| | |
|--------------------|----------------------------|
| Mission time T_M | 20 years, EN ISO 13849-1 |
| $B10_d$ | 2,000,000 number of cycles |

Electrical data

| | |
|-------------------------|---|
| Usage category at DC 13 | Ue / Ie: 24 V / 6 A, 125 V / 1.1 A, 250 V / 0.4 A, EN 60947-5-1 |
| Usage category at AC 15 | Ue / Ie: 250 V / 6 A, 400 V / 4 A, 500 V / 1 A, EN 60947-5-1 |
| Contact allocation | 2NC + 1NO |
| Contact opening | Force-fit |
| Short circuit protected | 500 V, 10 A, type aM, IEC 60269-1 |

Performance data

| | |
|------------------------------------|--------------------|
| Rated insulation voltage | 400 V AC, 500 V DC |
| Conventional thermal current, max. | 10 A |

Connection

| | |
|-------------------------|------------|
| Number of connections | 1 Piece(s) |
| Number of cable entries | 1 Piece(s) |

Connection 1

| | |
|--------------------|--------------------|
| Function | Contact connection |
| Type of connection | Terminal |
| Cable gland | M20 x 1.5 |
| No. of pins | 6 -pin |

Cable properties

| | |
|---------------------------|--|
| Connection cross sections | 1 x 0.34 mm ² to 2 x 1.5 mm ² , wire |
|---------------------------|--|

Mechanical data

| | |
|---|--|
| Dimension (W x H x L) | 40 mm x 36.3 mm x 165 mm |
| Housing material | Metal |
| Metal housing | ZAMAK |
| Electrical contact material | Silver alloy |
| Net weight | 298 g |
| Housing color | Gray Red |
| Type of fastening | Through-hole mounting |
| Type of cable entry | M20 x 1.5 |
| Installation position | On rope pull axis |
| Switching principle | Slow-action contact |
| Mechanical life time | 1,000,000 actuation cycles, IEC 6047-5-1 |
| Actuation frequency, max. | 600 per hour, IEC 6047-5-1 |
| External actuator | Rope |
| Actuator, rope length, max. (at 20 °C temperature difference) | 24 m |
| Extraction force, unlocked actuator | 83 N |
| Actuation force (pull-out with forced separation) | 90 N |
| Actuation force (slacken) | 63 N |
| Actuation directions | On longitudinal axis |
| Actuating path with forced separation | 8 mm |
| Type of actuation | Rope |
| Head material | Plastic |

Environmental data

| | |
|--------------------------------|---------------|
| Ambient temperature, operation | -25 ... 80 °C |
| Degree of contamination | 3, EN 60947-1 |

Certifications

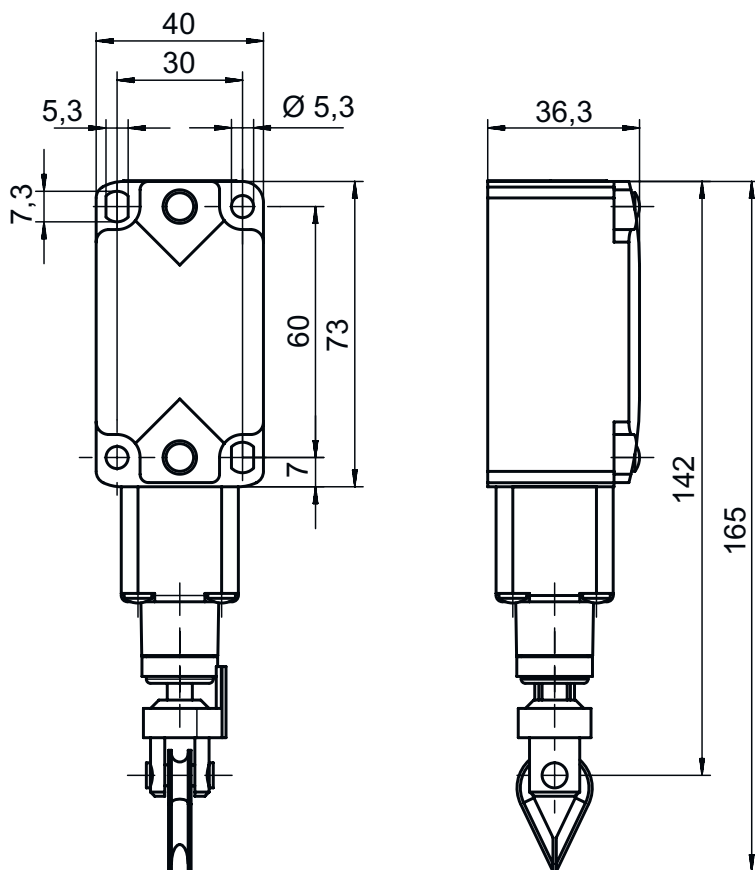
| | |
|----------------------|----------------|
| Degree of protection | IP 67 |
| Approvals | c UL US IMQ |

Classification

| | |
|-----------------------|----------|
| Customs tariff number | 85369095 |
| ECLASS 5.1.4 | 27270690 |
| ECLASS 8.0 | 27270607 |
| ECLASS 9.0 | 27371201 |
| ECLASS 10.0 | 27371201 |
| ECLASS 11.0 | 27371201 |
| ECLASS 12.0 | 27371201 |
| ECLASS 13.0 | 27371201 |
| ECLASS 14.0 | 27371201 |
| ECLASS 15.0 | 27371201 |
| ETIM 5.0 | EC002033 |
| ETIM 6.0 | EC002033 |
| ETIM 7.0 | EC002033 |
| ETIM 8.0 | EC002033 |
| ETIM 9.0 | EC002033 |
| ETIM 10.0 | EC002033 |

Dimensioned drawings

All dimensions in millimeters



Electrical connection

Connection 1

| | |
|--------------------|--------------------|
| Function | Contact connection |
| Type of connection | Terminal |
| Cable gland | M20 x 1.5 |
| No. of pins | 6 -pin |

| Terminal | Assignment |
|----------|------------|
| 11 | NC(1) |
| 12 | NC(1) |
| 21 | NC(2) |
| 22 | NC(2) |
| 33 | NO(1) |
| 34 | NO(1) |