

Technical data sheet

Safety laser scanner

Part no.: 53800116
RSL440-XL

Contents

- Technical data
- Dimensioned drawings
- Operation and display
- Notes
- Accessories



For illustration purposes only



Technical data

Basic data

| | |
|-------------|--|
| Series | RSL 400 |
| Application | Mobile danger zone guarding Mobile side guarding Stationary access guarding Stationary danger zone guarding |

Functions

| | |
|-----------|--|
| Functions | Data output, configurable Dynamic contactor monitoring (EDM), selectable E-stop linkage Four-field mode Safe time delay, internal Start/restart interlock (RES), selectable |
|-----------|--|

Characteristic parameters

| | |
|-----------------------------|--------------------------|
| Type | 3, IEC/EN 61496 |
| SIL | 2, IEC 61508 |
| SILCL | 2, IEC/EN 62061 |
| Performance Level (PL) | d, EN ISO 13849-1 |
| PFH _D | 9E-08 per hour |
| Mission time T _M | 20 years, EN ISO 13849-1 |
| Category | 3, EN ISO 13849 |

Protective field data

| | |
|---|-----------------------|
| Resolution (adjustable) | 30/40/50/60/70/150 mm |
| Minimum adjustable range | 50 mm |
| Number of field pairs, switchable | Up to 100 |
| Number of quads, switchable | 50 |
| Number of protective functions | 2 Piece(s) |
| Number of independent sensor configurations | Up to 10 |
| Diffuse reflection, min. | 1.8 % |
| Operating range | 0 ... 8.25 m |

Warning field data

| | |
|--------------------------|-----------------|
| Number of field pairs | Up to 100 |
| Operating range | 0 ... 20 m |
| Object size | 150 mm x 150 mm |
| Diffuse reflection, min. | 10 % |

Optical data

| | |
|--------------------------|------------------------|
| Light source | Laser, Infrared |
| Wavelength | 905 nm |
| Laser class | 1, IEC/EN 60825-1:2014 |
| Transmitted-signal shape | Pulsed |
| Repetition frequency | 90 kHz |
| Angular resolution | 0.1 ° |
| Scanning angle | 270 ° |

Electrical data

| | |
|--|--|
| Protective circuit | Overvoltage protection |
| Performance data | |
| Supply voltage U _B | 24 V, DC, -30 ... 20 % |
| Current consumption (without load), max. | 700 mA, (use power supply unit with 3 A) |
| Power consumption, max. | 17 W, For 24 V, plus output load |

Outputs

| | |
|--|------------|
| Number of safety-related switching outputs (OSSDs) | 4 Piece(s) |
|--|------------|

Safety-related switching outputs

| | |
|------------------------------|--------------------------------------|
| Type | Safety-related switching output OSSD |
| Switching voltage high, min. | 20.8 V |
| Switching voltage low, max. | 2 V |
| Voltage type | DC |

Safety-related switching output 1

| | |
|-------------------|-----------------|
| Switching element | Transistor, PNP |
|-------------------|-----------------|

Safety-related switching output 2

| | |
|-------------------|-----------------|
| Switching element | Transistor, PNP |
|-------------------|-----------------|

Safety-related switching output 3

| | |
|-------------------|-----------------|
| Switching element | Transistor, PNP |
|-------------------|-----------------|

Safety-related switching output 4

| | |
|-------------------|-----------------|
| Switching element | Transistor, PNP |
|-------------------|-----------------|

Time behavior

| | |
|---------------|----------|
| Response time | 80 ms, ≥ |
|---------------|----------|

Service interface

| | |
|------|--------------------------|
| Type | Bluetooth, Ethernet, USB |
|------|--------------------------|

Ethernet

| | |
|------------|--|
| Function | Configuration/parametization TCP/IP |
| Connection | M12 connector, 4-pin, D-coded |

Bluetooth

| | |
|-----------------------------|---------------------------------|
| Function | Configuration/parametization |
| Frequency band | 2,400 ... 2,483.5 MHz |
| Radiated transmitting power | Max. 4.5 dBm (2.82 mW), class 2 |

USB

| | |
|--------------------------|--|
| Function | Configuration/parametization |
| Connection | USB 2.0 mini-B, socket |
| Transmission speed, max. | 12 Mbit/s |
| Cable length | ≤ 5m Longer cable lengths are possible using active cables. |

Connection

Cable properties

| | |
|------------------------|------|
| Cable resistance, max. | 15 Ω |
|------------------------|------|

Mechanical data

| | |
|-----------------------|---|
| Dimension (W x H x L) | 140 mm x 149 mm x 140 mm |
| Housing material | Metal Plastic |
| Metal housing | Diecast zinc |
| Lens cover material | Plastic/PC |
| Net weight | 2,000 g |
| Housing color | Yellow, RAL 1021 |
| Type of fastening | Mounting plate Through-hole mounting Via optional mounting device |

Technical data

Operation and display

| | |
|-----------------------|------------------------|
| Type of display | Alphanumerical display |
| | LED indicator |
| Number of LEDs | 6 Piece(s) |
| Type of configuration | Software Sensor Studio |
| Operational controls | Software Sensor Studio |

Environmental data

| | |
|------------------------------------|---------------|
| Ambient temperature, operation | 0 ... 50 °C |
| Ambient temperature, storage | -20 ... 60 °C |
| Relative humidity (non-condensing) | 15 ... 95 % |

Certifications

| | |
|---|----------------|
| Degree of protection | IP 65 |
| Protection class | III, EN 61140 |
| Certifications | c TÜV Süd US |
| | c UL US |
| | TÜV Süd |
| Test procedure for EMC in accordance with standard | DIN 40839-1/3 |
| | EN 61496-1 |
| Test procedure for oscillation in accordance with standard | EN 60068-2-6 |
| Test procedure for continuous shock in accordance with standard | IEC 60068-2-29 |
| US patents | US 10,304,307B |
| | US 7,656,917 B |
| | US 7,696,468 B |
| | US 8,520,221 B |

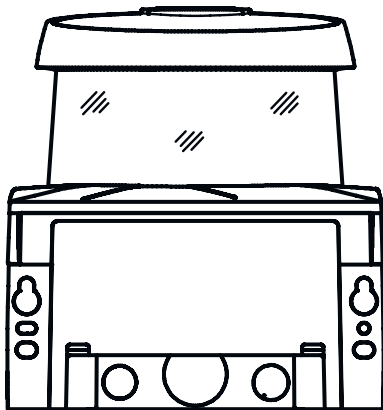
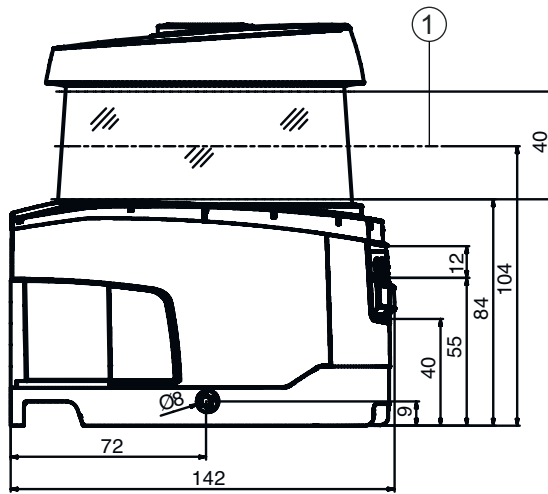
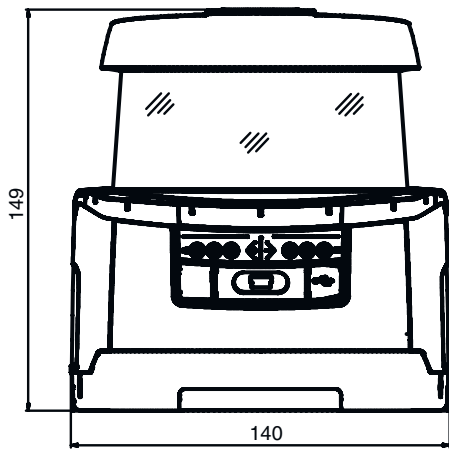
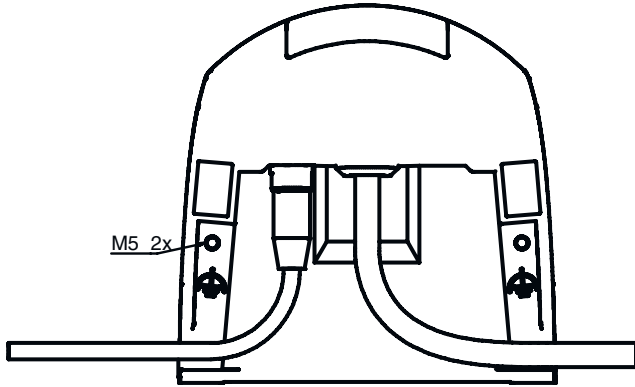
Classification

| | |
|-----------------------|----------|
| Customs tariff number | 85365019 |
| ECLASS 5.1.4 | 27279290 |
| ECLASS 8.0 | 27279290 |
| ECLASS 9.0 | 27272705 |
| ECLASS 10.0 | 27272791 |
| ECLASS 11.0 | 27272791 |
| ECLASS 12.0 | 27272791 |
| ECLASS 13.0 | 27272791 |
| ECLASS 14.0 | 27272791 |
| ETIM 5.0 | EC002550 |
| ETIM 6.0 | EC002550 |
| ETIM 7.0 | EC002550 |
| ETIM 8.0 | EC003015 |
| ETIM 9.0 | EC003015 |

Dimensioned drawings

All dimensions in millimeters

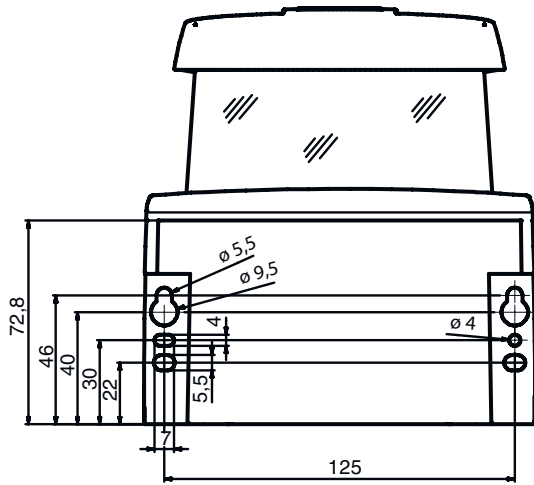
Dimensions safety laser scanner with connection unit



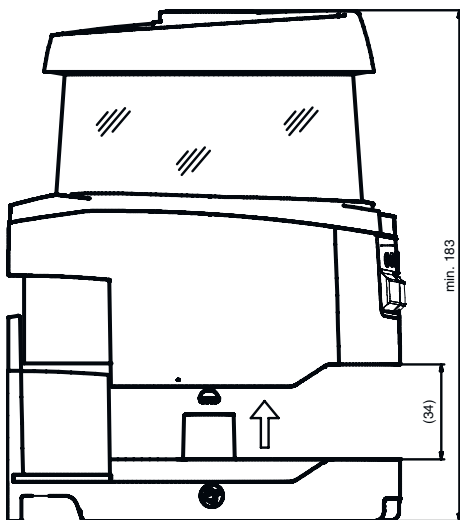
1 Scan level

Dimensioned drawings

Mounting dimensions safety laser scanner with connection unit

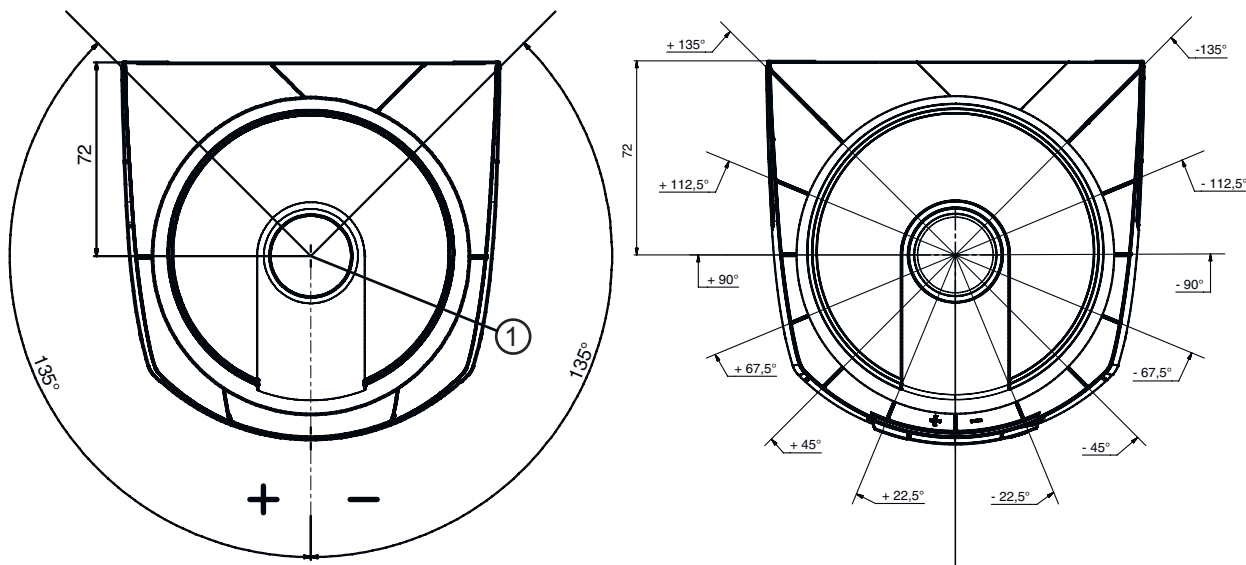


Minimum space requirements for installation and replacement of scanner unit



Dimensioned drawings

Dimensions of scanning range



1 Reference point for distance measurement and protective field radius

Operation and display

| LED | Display | Meaning |
|-----|--------------------------|---|
| 1 | Off | Device switched off |
| | Red, continuous light | OSSD off |
| | Red, flashing | Error |
| | Green, continuous light | OSSD on |
| 2 | Off | RES deactivated or RES activated and released |
| | Yellow, flashing | Protective field occupied |
| | Yellow, continuous light | RES activated and blocked but ready to be unlocked - protective field free and linked sensor is enabled if applicable |
| 3 | Off | Free warning field |
| | Blue, continuous light | Warning field interrupted |
| 4 | Off | Free warning field |
| | Blue, continuous light | Warning field interrupted |
| 5 | Off | RES deactivated or RES activated and released |
| | Yellow, flashing | Protective field occupied |
| | Yellow, continuous light | RES activated and blocked but ready to be unlocked - protective field free and linked sensor is enabled if applicable |
| 6 | Off | Device switched off |
| | Red, continuous light | OSSD off |
| | Red, flashing | Error |
| | Green, continuous light | OSSD on |

Notes

Observe intended use!

| | |
|--|---|
| | <ul style="list-style-type: none"> ☞ The product may only be put into operation by competent persons. ☞ Only use the product in accordance with its intended use. |
|--|---|

Notes

! ATTENTION! INVISIBLE LASER RADIATION – CLASS 1 LASER PRODUCT




The device satisfies the requirements of IEC/EN 60825-1:2014 safety regulations for a product of **laser class 1** and complies with 21 CFR 1040.10 except for conformance with IEC 60825-1 Ed. 3., as described in Laser Notice No. 56, dated May 8, 2019.




- ↳ Observe the applicable statutory and local laser protection regulations.
- ↳ The device must not be tampered with and must not be changed in any way. There are no user-serviceable parts inside the device. Repairs must only be performed by Leuze electronic GmbH + Co. KG.

Accessories


Connection technology - Connection boxes

| | Part no. | Designation | Article | Description |
|--|----------|-------------|-----------------|---|
|  | 53800122 | CU429-10000 | Connection unit | Number of connections: 2 Piece(s) Connection 1: Cable, 10,000 mm, PUR, 29 -wire Connection 2: Connector, M12, D-coded, 5 -pin Dimensions: 140.2 mm x 72.8 mm x 140.3 mm Color: Black Type of fastening: Bayonet system |

Mounting technology - Mounting brackets

| | Part no. | Designation | Article | Description |
|--|----------|-------------|------------------|--|
|  | 53800134 | BT840M | Mounting bracket | Application: Mounting on chamfered 90° corner Dimensions: 84.9 mm x 72 mm x 205.2 mm Color: Yellow, RAL 1021 Type of fastening, at system: Through-hole mounting Type of fastening, at device: Screw type Material: Metal |
|  | 53800132 | BTF815M | Mounting bracket | Application: Mounting bracket for floor mounting Dimensions: 186 mm x 120 mm x 288 mm Scan level height: 150 mm Color: Yellow, RAL 1021 Type of fastening, at system: Through-hole mounting Type of fastening, at device: Screw type Material: Metal |
|  | 53800133 | BTF830M | Mounting bracket | Application: Mounting bracket for floor mounting Dimensions: 186 mm x 275 mm x 288 mm Scan level height: 300 mm Color: Yellow, RAL 1021 Type of fastening, at system: Through-hole mounting Type of fastening, at device: Screw type Material: Metal |

Mounting technology - Other

| | Part no. | Designation | Article | Description |
|--|----------|-------------|-----------------|--|
|  | 53800130 | BTU800M | Mounting system | Dimensions: 54.5 mm x 90 mm x 192 mm Color: Black Type of fastening, at system: Through-hole mounting Type of fastening, at device: Screw type Material: Metal |

Accessories

General

| | Part no. | Designation | Article | Description |
|--|----------|----------------|--------------|---|
| | 430400 | RS4-clean-Set1 | Cleaning set | Number of cleaning cloths: 40 Piece(s) Content of cleaning fluid: 150 ml |

Services

| | Part no. | Designation | Article | Description |
|--|----------|-------------|-------------------|--|
| | S981051 | CS40-I-141 | Safety inspection | Details: Checking of a safety laser scanner application in accordance with current standards and guidelines. Inclusion of the device and machine data in a database, production of a test log per application. Conditions: It must be possible to stop the machine, support provided by customer's employees and access to the machine for Leuze employees must be ensured. |
| | S981047 | CS40-S-141 | Start-up support | Details: For safety devices including stopping time measurement and initial inspection. Conditions: Devices and connection cables are already mounted, price not including travel costs and, if applicable, accommodation expenses. |

Note

| | |
|--|---|
| | A list with all available accessories can be found on the Leuze website in the Download tab of the article detailed page. |
|--|---|