

## Technical data sheet

### Device column

Part no.: 549857

UDC-2500-S2

#### Contents

- Technical data
- Dimensioned drawings
- Accessories



For illustration purposes only

## Technical data

### Basic data

<b>Series</b>	UDC
<b>Contains</b>	BT-P40 clamp bracket, 2x Mounting kit for floor assembly
<b>Suitable for</b>	MLC 500, MLC 300 safety light curtains MLD 500, MLD 300 multiple light beam safety devices
<b>Type, columns and mirrors</b>	Device column

### Functions

<b>Functions</b>	Adjustable, 3 directions Mounting and protection of light curtains and multiple light beam devices
------------------	---

### Mechanical data

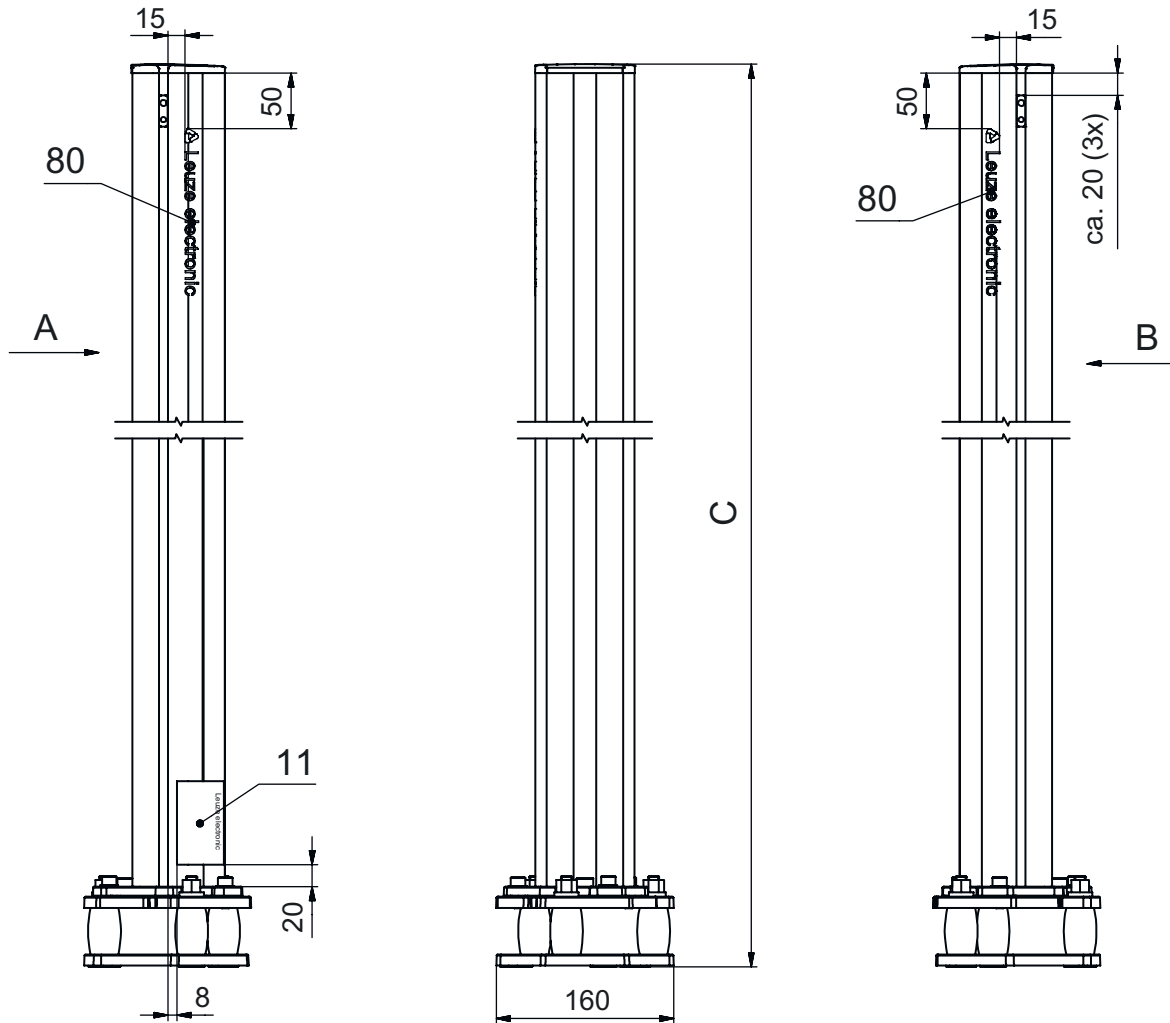
<b>Dimension (W x H x L)</b>	160 mm x 2,560 mm x 149 mm
<b>Housing material</b>	Metal Plastic
<b>Metal housing</b>	Aluminum
<b>Net weight</b>	8,575 g
<b>Housing color</b>	Yellow, RAL 1021
<b>Type of fastening</b>	Floor mounting Mounting plate
<b>Mechanical reset function</b>	Yes
<b>Column height without foot</b>	2,500 mm
<b>Exterior mounting of accessories</b>	Lateral Rear

### Classification

<b>Customs tariff number</b>	76042990
<b>ECLASS 5.1.4</b>	27279290
<b>ECLASS 8.0</b>	27279290
<b>ECLASS 9.0</b>	27279090
<b>ECLASS 10.0</b>	27273792
<b>ECLASS 11.0</b>	27273792
<b>ECLASS 12.0</b>	27273792
<b>ECLASS 13.0</b>	27273792
<b>ECLASS 14.0</b>	27273792
<b>ECLASS 15.0</b>	27273792
<b>ETIM 5.0</b>	EC002498
<b>ETIM 6.0</b>	EC003015
<b>ETIM 7.0</b>	EC003015
<b>ETIM 8.0</b>	EC003015
<b>ETIM 9.0</b>	EC003015
<b>ETIM 10.0</b>	EC003015

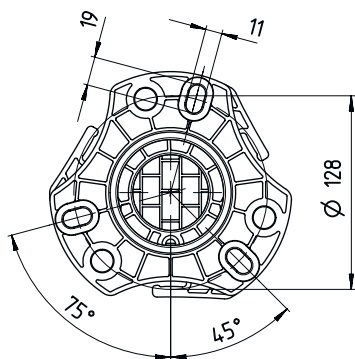
## Dimensioned drawings

All dimensions in millimeters

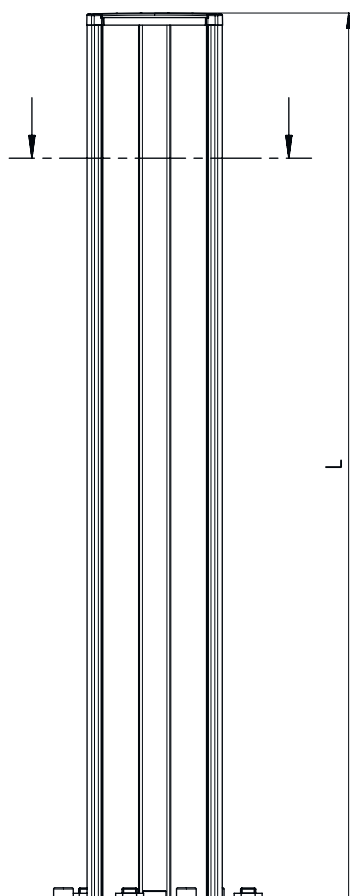


- A Front
- B Front
- C Total height = 2560 mm

# Dimensioned drawings

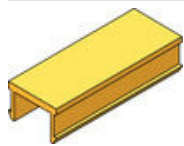


L Column height without foot = 2500 mm




## Accessories

### General


	Part no.	Designation	Article	Description
	50144378	SET 10x AC-UDC-2000	Profile	Contains: 10x Suitable for: UDC-S2, DC-S2 device columns Length: 2,000 mm Material: PVC

## Accessories

### Replacement part

	Part no.	Designation	Article	Description
	430220	SP-SET AP UDC/DC/ UMC/MC	Device and mirror column accessory set	Type of article: Adapter plate Dimensions: 17.5 mm Housing color: Black

**Note**

 A list with all available accessories can be found on the Leuze website in the Download tab of the article detailed page.