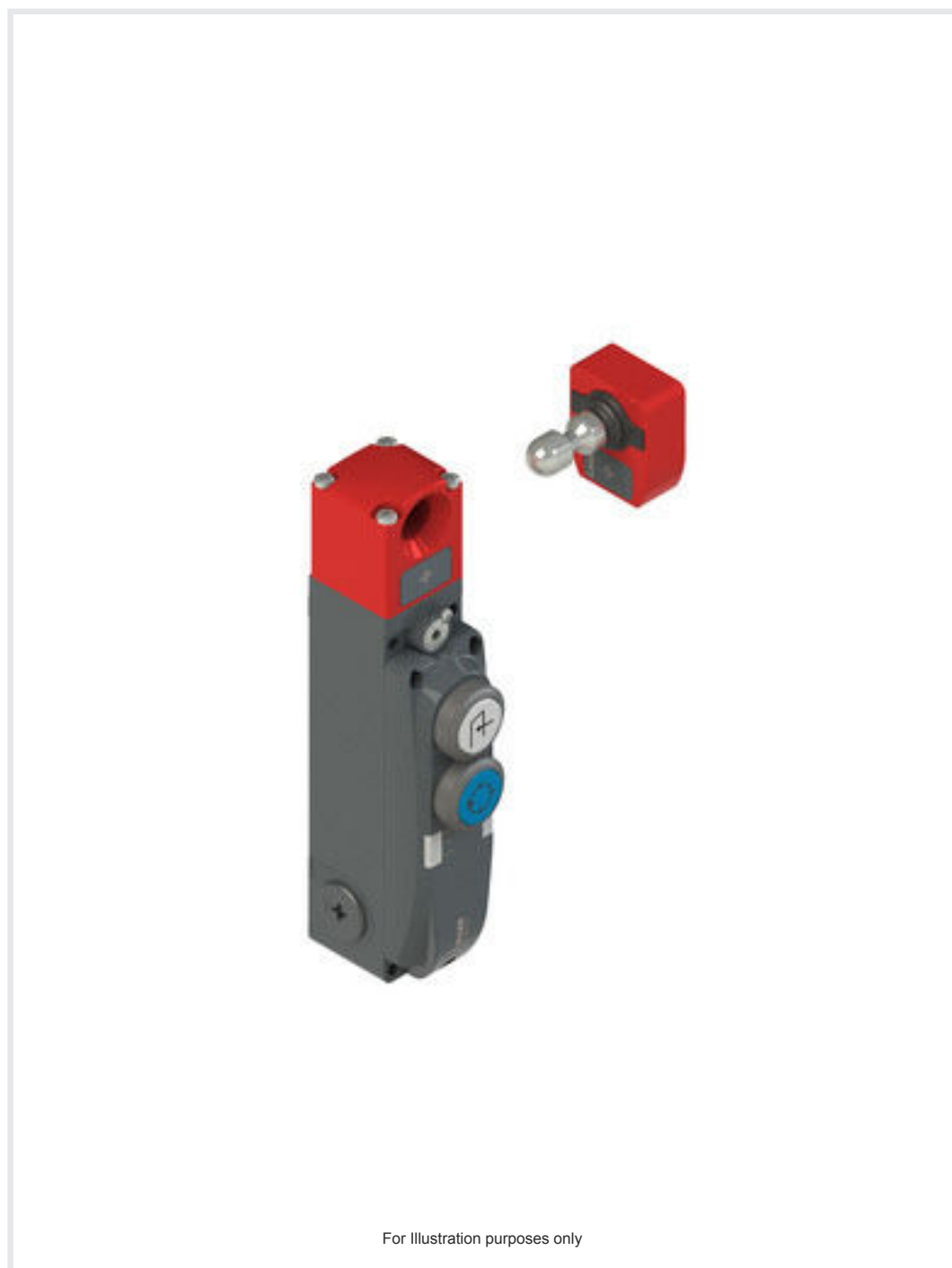


Technical data sheet Safety locking device

Part no.: 50142116

L300-B1-M31C3-SLM24-UCA



For illustration purposes only

Contents

- Technical data
- Dimensioned drawings
- Electrical connection
- Accessories



Technical data

Basic data

Series	L300-B1
Contains	1x actuator 1x safety locking device

Functions

Functions	Locking device with guard interlocking in acc. with EN ISO 14119 (type 4)
Activation mode of safety outputs	Safety outputs active if safety door is closed and locked
Operating principle	Quiescent current principle – Actuator locked if electromagnet is deactivated

Characteristic parameters

SIL	3, IEC 61508
SILCL	3, IEC/EN 62061
Performance Level (PL)	Up to and including e, EN ISO 13849-1
MTTF _d	2,968 years, EN ISO 13849-1
PFH _D	1.15E-9 per hour
Mission time T _M	20 years, EN ISO 13849-1
Category	4, EN ISO 13849-1
DC	High
Encoding level	High, EN ISO 14119

Electrical data

Type of wiring	Series connection Single connection
External safeguarding for supply circuit	2A type Gg (or equivalent)

Performance data

Supply voltage U _B	24 V, DC, -10 ... 10 %
Current consumption, max.	1,200 mA

Inputs

Number of safety-related switching inputs	2 Piece(s)
Number of digital switching inputs	3 Piece(s)

Switching inputs

Type	Digital switching input
Switching voltage, typ.	24 V
Voltage type	DC
Current consumption, typ.	5 mA
Teach input for actuator	No

Digital switching input 1

Function	IE1 activation input: electromagnet
----------	-------------------------------------

Digital switching input 2

Function	IE1 activation input: electromagnet
----------	-------------------------------------

Digital switching input 3

Function	I3 control input for reset
----------	----------------------------

Safety-related switching inputs

Type	Safety switching input
Voltage type	DC
Switching voltage, typ.	24 V
Current consumption, typ.	5 mA

Outputs

Number of safety-related switching outputs (OSSDs)	2 Piece(s)
Number of digital switching outputs	2 Piece(s)

Safety-related switching outputs

Type	Safety-related switching output OSSD
Voltage type	DC

Safety-related switching output 1

Switching element	Transistor, PNP
-------------------	-----------------

Safety-related switching output 2

Switching element	Transistor, PNP
-------------------	-----------------

Switching outputs

Type	Digital switching output
Voltage type	DC

Switching output 1

Switching element	Transistor, PNP
Function	O3 signal output: protective-device closed

Switching output 2

Switching element	Transistor, PNP
Function	O4 signal output: protective-device locked

Connection

Number of cable entries	3 Piece(s)
-------------------------	------------

Connection 1

Function	Connection with PLC Contact connection Voltage supply
----------	---

Type of connection	Terminal, For connection of the device, please refer to the operating instructions
--------------------	--

Type of terminal	Spring-cage terminal
------------------	----------------------

Cable properties

Connection cross sections	1 x 0.34 to 0.75 mm ² , wire with welded-on wire-end sleeve, 1 x 0.34 to 1.5 mm ² , wire with wire-end sleeve
---------------------------	---

Mechanical data

Design	Cubic
Housing material	Metal
Net weight	1,700 g
Housing color	Gray Red
Type of fastening	Through-hole mounting
Type of cable entry	M20 x 1.5
Side of cable entry	left, right, below
Release device	Auxiliary release
Switch type	Interlock device with guard interlocking
Approach speed	0.001 ... 0.5 m/s
Locking type	Spring force
Locking actuation	Spring
Locking force, max.	9,750 N
Mechanical life time	1,000,000 actuation cycles, IEC 60947-5-1 switching cycles
Actuation frequency, max.	600 per hour, IEC 60947-5-1
Extraction force, unlocked actuator	30 N

Technical data

RFID sensor data

Assured operating distance S_{ao}	2 mm
Assured cut-out distance S_{ar}	10 mm (actuator locked) 4 mm (actuator not locked)
Nominal switching distance S_n	2.5 mm
Repeatability	$\leq 10\% S_n$
Max. switching frequency	1 Hz

Operation and display

Type of display	LED
Number of LEDs	5 Piece(s)
Operational controls	2 command devices
Function of the operational control	Button illuminates with icon "Acknowledge", blue Button illuminates with icon "Request", white

Environmental data

Ambient temperature, operation	-20 ... 50 °C
Ambient temperature, storage	-40 ... 75 °C

Certifications

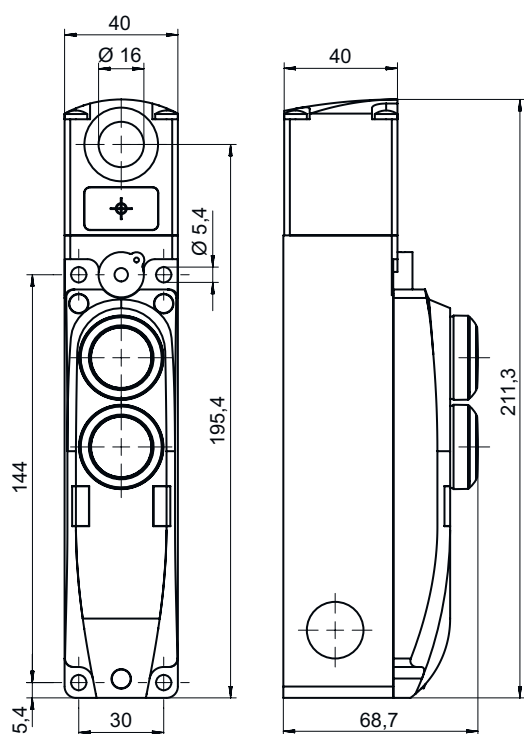
Degree of protection	IP 65
Certifications	c UL US ECOLAB TÜV Süd

Classification

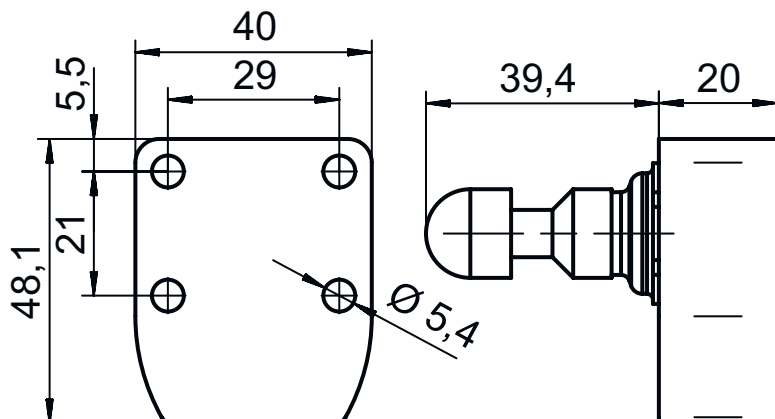
ECLASS 5.1.4	27272603
ECLASS 8.0	27272603
ECLASS 9.0	27272603
ECLASS 10.0	27272603
ECLASS 11.0	27272603
ECLASS 12.0	27272603
ECLASS 13.0	27272603
ECLASS 14.0	27272603
ETIM 5.0	EC002593
ETIM 6.0	EC002593
ETIM 7.0	EC002593
ETIM 8.0	EC002593
ETIM 9.0	EC002593

Dimensioned drawings

All dimensions in millimeters



Dimensioned drawings




Electrical connection

Connection 1

Function	Connection with PLC Contact connection Voltage supply
Type of connection	Terminal
Type of connection	For connection of the device, please refer to the operating instructions
Type of terminal	Spring-cage terminal


Accessories

Actuators



	Part no.	Designation	Article	Description
	50132062 **	AC-L300-UCA	Actuator	Code type: Unique code Encoding level: high, EN ISO 14119 Dimensions: 40 mm x 48.1 mm x 59.4 mm Housing color: Red Type of fastening: Through-hole mounting

** Included in delivery contents

General

	Part no.	Designation	Article	Description
	50149358	AC-L300-LCK	Lockout device	Dimensions: 45 mm x 43 mm x 134 mm Housing color: Black, Red Material: Metal, with powder coating

Accessories

	Part no.	Designation	Article	Description
	50149359	AC-L300-LCK-A1	Lockout device	Dimensions: 52 mm x 63 mm x 359 mm Housing color: Black, Red Material: Metal, with powder coating
	50149304	AC-L300-SH2-G0-B000-Z	Safety door handle	

Note



A list with all available accessories can be found on the Leuze website in the Download tab of the article detailed page.