

Technical data sheet

Safety locking device

Part no.: 50149998
L200-M3C3-MLM24-L2G

Contents

- Technical data
- Dimensioned drawings
- Electrical connection



For illustration purposes only



Technical data

Basic data

Series	L200
--------	------

Functions

Functions	Electro-magnetic guard interlocking (magnet-force)
	Illuminated displays for magnet activation
	Integration in control circuits up to category 4 in accordance with EN ISO 13849-1
	Locking device with guard interlocking according to ISO 14119
Operating principle	Power to lock – Actuator locked if electromagnet is activated

Characteristic parameters

Mission time T_M	20 years, EN ISO 13849-1
$B10_d$	5,000,000 number of cycles

Electrical data

Usage category at DC 13	Ue / Ie: 24 V / 3 A, 125 V / 0.7 A, 250 V / 0.4 A, EN 60947-5-1
Usage category at AC 15	Ue / Ie: 120 V / 6 A, 250 V / 5 A, 400 V / 3 A, EN 60947-5-1
Contact allocation, actuator	3NC
Contact allocation, magnet	1NC
Contact opening	Force-fit
Magnet operating voltage	24 V DC, -10 ... 10 %
Short circuit protection, magnet	0.5 A, 24 V, type gG, IEC 60269-1
Short circuit protection, safety circuit	500 V, 10 A, type gG, IEC 60269-1

Performance data

Rated insulation voltage	400 V AC, 300 V DC
Conventional thermal current, max.	10 A

Inputs

Switching inputs

Teach input for actuator	No
--------------------------	----

Time behavior

Switch-on time	100 %
----------------	-------

Connection

Number of connections	1 Piece(s)
Number of cable entries	3 Piece(s)

Connection 1

Function	Contact connection
	Voltage supply
Type of connection	Terminal
Type of terminal	Screw terminal
No. of pins	10 -pin

Cable properties

Connection cross sections	1 x 0.34 mm ² to 2 x 1.5 mm ² , wire
---------------------------	--

Mechanical data

Design	Cubic
Dimension (W x H x L)	45 mm x 46 mm x 194.7 mm
Housing material	Metal
Electrical contact material	Silver alloy
Net weight	1,089 g
Housing color	Gray
	Red
Type of fastening	Through-hole mounting
Type of cable entry	M20 x 1.5
Switch type	Interlock device with guard interlocking, ISO 14119
Switching principle	Slow-action contact
Approach actuation directions	1 x top
	4 x side (90°)
Approach speed	0.001 ... 0.5 m/s
Locking type	Electromagnetic
Locking actuation	Magnet
Locking force, max.	2,800 N
Mechanical life time	1,000,000 actuation cycles, IEC 60947-5-1
Actuation frequency, max.	600 per hour, IEC 6047-5-1
External actuator	AC-AHxx, series, straight, angled, resilient, alignable
Extraction force, unlocked actuator	30 N
Recoil tolerance	4.5 mm

Operation and display

Type of display	LED
-----------------	-----

Environmental data

Ambient temperature, operation	-25 ... 60 °C
Degree of contamination	3, EN 60947-1

Certifications

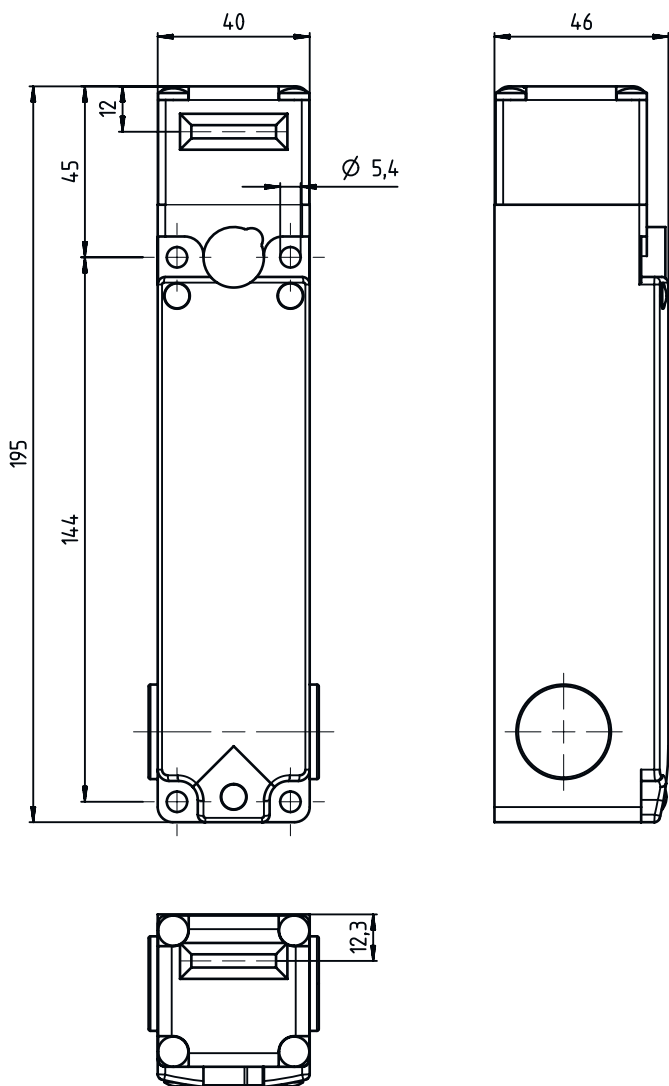
Degree of protection	IP 67
Approvals	c UL US
	IMQ

Classification

Customs tariff number	85369095
ECLASS 5.1.4	27272603
ECLASS 8.0	27272603
ECLASS 9.0	27272603
ECLASS 10.0	27272603
ECLASS 11.0	27272603
ECLASS 12.0	27272603
ECLASS 13.0	27272603
ECLASS 14.0	27272603
ECLASS 15.0	27272603
ECLASS 16.0	27272603
ETIM 5.0	EC002593
ETIM 6.0	EC002593
ETIM 7.0	EC002593
ETIM 8.0	EC002593
ETIM 9.0	EC002593
ETIM 10.0	EC002593
UNSPSC 26.08	39122205

Dimensioned drawings

All dimensions in millimeters



Electrical connection

Connection 1

Function	Contact connection
	Voltage supply
Type of connection	Terminal
Type of terminal	Screw terminal
No. of pins	10 -pin

Terminal	Assignment
11	NC(1) actuator
12	NC(1) actuator
21	NC(2) actuator
22	NC(2) actuator

Electrical connection

Terminal	Assignment
31	NC(3) magnet
32	NC(3) magnet
41	NC(4) actuator
42	NC(4) actuator
A1	+24V / 0V
A2	0V / +24V