

## Technical data sheet

### Mounting device

Part no.: 50149698

BTK IVS 1048

#### Contents

- Technical data
- Dimensioned drawings

For illustration purposes only

## Technical data

### Basic data

Suitable for product group	Industrial image processing
Suitable for	DCR 1048i
	IVS 1048i

### Mechanical data

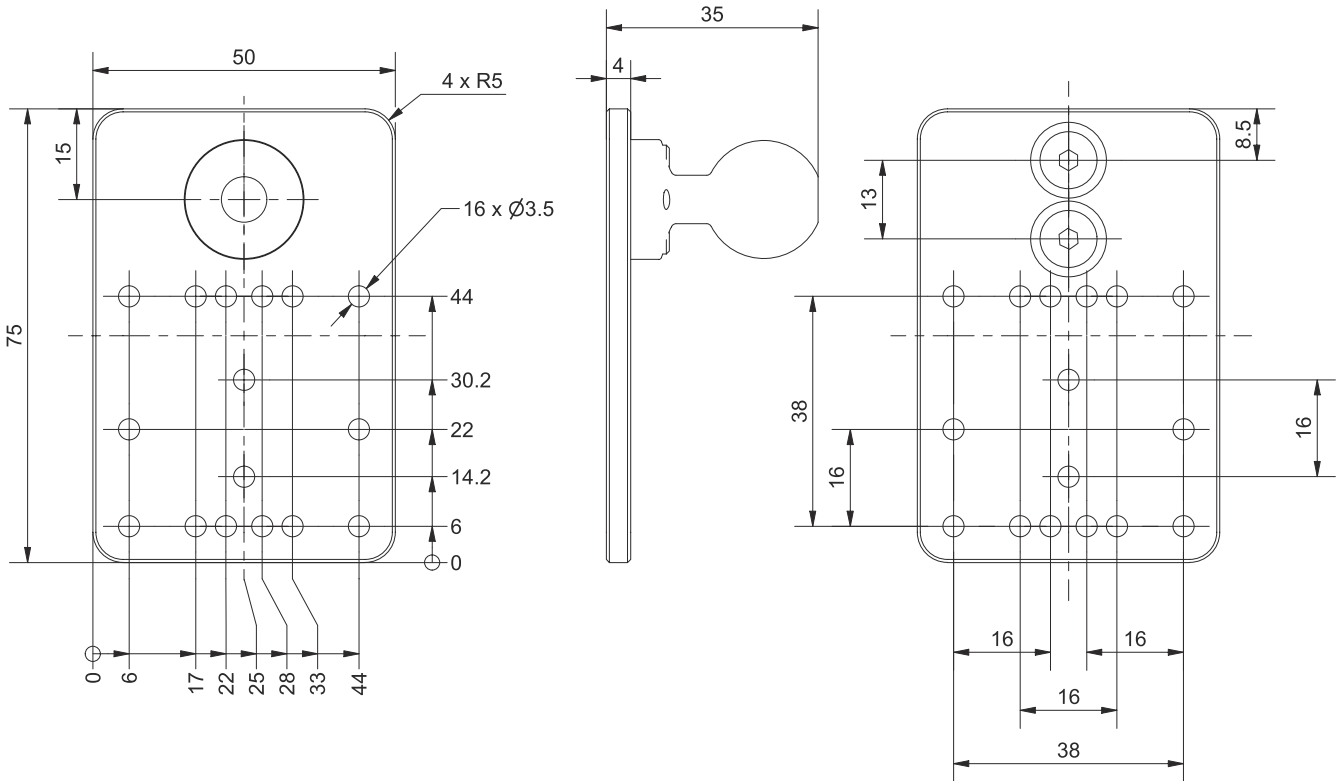
Type of fastening, at system	Screw type
Type of fastening, at device	Spherical head
Mounting device material	Aluminum

### Classification

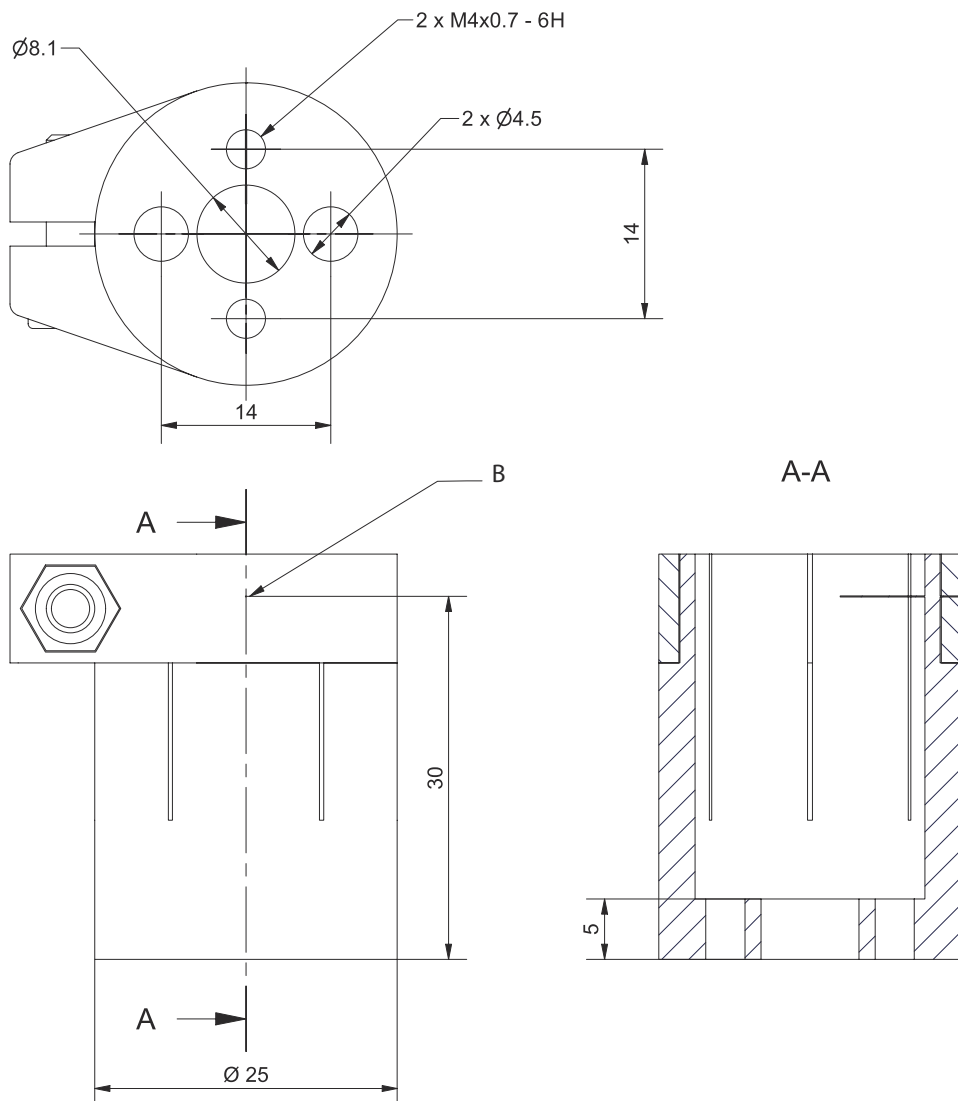
Customs tariff number	76169990
ECLASS 5.1.4	27279202
ECLASS 8.0	27279202
ECLASS 9.0	27273701
ECLASS 10.0	27273701
ECLASS 11.0	27273701
ECLASS 12.0	27273701
ECLASS 13.0	27273701
ECLASS 14.0	27273701
ETIM 5.0	EC002498
ETIM 6.0	EC003015
ETIM 7.0	EC003015
ETIM 8.0	EC003015
ETIM 9.0	EC003015

# Dimensioned drawings

All dimensions in millimeters



# Dimensioned drawings



B Spherical head pivot point