

Technical data sheet

Tower light element

Part no.: 50138151

A7-V1-BZ2-S

Contents

- Technical data
- Dimensioned drawings
- Notes
- Accessories



For illustration purposes only



Technical data

Basic data

Series	A7
Suitable for	Tower light elements of the A7 – Advanced Series
Type of signaling	Acoustic

Electrical data

Performance data	
Supply voltage U_B	24 V, DC, 10 %
Current consumption, max.	30 mA

Connection

Notes	Protected against accidental interchanges: Actuation of the colors is performed via PINs, thus, the calotte position can be freely selected (see operating instructions). The individual colors are actuated via VCC (PNP)
-------	---

Mechanical data

Design	Cylindrical
Dimension ($\varnothing \times L$)	70 mm x 50 mm
Housing material	Plastic
Net weight	92 g
Type of fastening	Bayonet system

Operation and display

Operational controls	225° potentiometer
Function of the operational control	Volume control

Environmental data

Ambient temperature, operation	-10 ... 60 °C
--------------------------------	---------------

Certifications

Degree of protection	IP 66
Approvals	CE CSA

Acoustic data

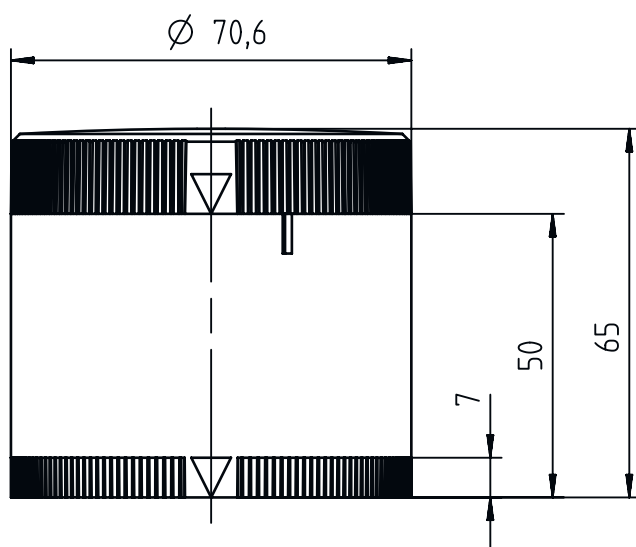
Tone type	Continuous tone
Sound pressure	105 dB
Number of tones	1 Piece(s)

Classification

Customs tariff number	85318070
ECLASS 5.1.4	27371237
ECLASS 8.0	27371237
ECLASS 9.0	27371237
ECLASS 10.0	27371237
ECLASS 11.0	27371237
ECLASS 12.0	27371237
ECLASS 13.0	27371237
ECLASS 14.0	27371237
ECLASS 15.0	27371237
ETIM 5.0	EC001261
ETIM 6.0	EC001261
ETIM 7.0	EC001261
ETIM 8.0	EC001261
ETIM 9.0	EC001261
ETIM 10.0	EC001261

Dimensioned drawings

All dimensions in millimeters



Notes




Observe intended use!



- ⌘ This product is not a safety sensor and is not intended as personnel protection.
- ⌘ The product may only be put into operation by competent persons.
- ⌘ Only use the product in accordance with its intended use.

Accessories

Mounting

	Part no.	Designation	Article	Description
	50135463	A7-MP1-100	Tower light element	Connection: Terminal, Tension spring technology Design: Cylindrical Diameter: 70 mm Version: Base mounting Fastening, at system: Screw type / horizontal Module holder: One side Ambient temperature: -10 ... 60 °C Degree of protection: IP 66

Note



- ⌘ A list with all available accessories can be found on the Leuze website in the Download tab of the article detailed page.