

Technical data sheet

Tower light

Part no.: 50135466

A7-V1-MP1-DS-ROG-T-100

Contents

- Technical data
- Dimensioned drawings
- Electrical connection
- Notes
- Accessories



For illustration purposes only



Technical data

Basic data

Series	A7
Type of signaling	Optical

Electrical data

Life expectancy	> 100,000 h
-----------------	-------------

Performance data

Supply voltage U_B	24 V, DC, 10 %
Current consumption, max.	130 mA

Connection

Number of connections	2 Piece(s)
-----------------------	------------

Notes	Protected against accidental interchanges: Actuation of the colors is performed via PINs, thus, the calotte position can be freely selected (see operating instructions). The individual colors are actuated via VCC (PNP)
-------	---

Connection 1

Cable length	1,500 mm
Number of conductors	6 -wire

Connection 2

Type of connection	Open end
--------------------	----------

Mechanical data

Design	Cylindrical
Dimension (\varnothing x L)	70 mm x 297 mm
Housing material	Metal Plastic
Metal housing	Aluminum
Plastic housing	PC-ABS
Net weight	535 g
Housing color	Black Gray
Type of fastening, at system	Screw type / horizontal
Type of illuminant	LED/24V
Lens modules	3 pieces, ready-made
Signal image	Continuous light
Angle of radiation	360°
Sequence of the modules (ascending)	Green, orange, red

Environmental data

Ambient temperature, operation	-10 ... 60 °C
--------------------------------	---------------

Certifications

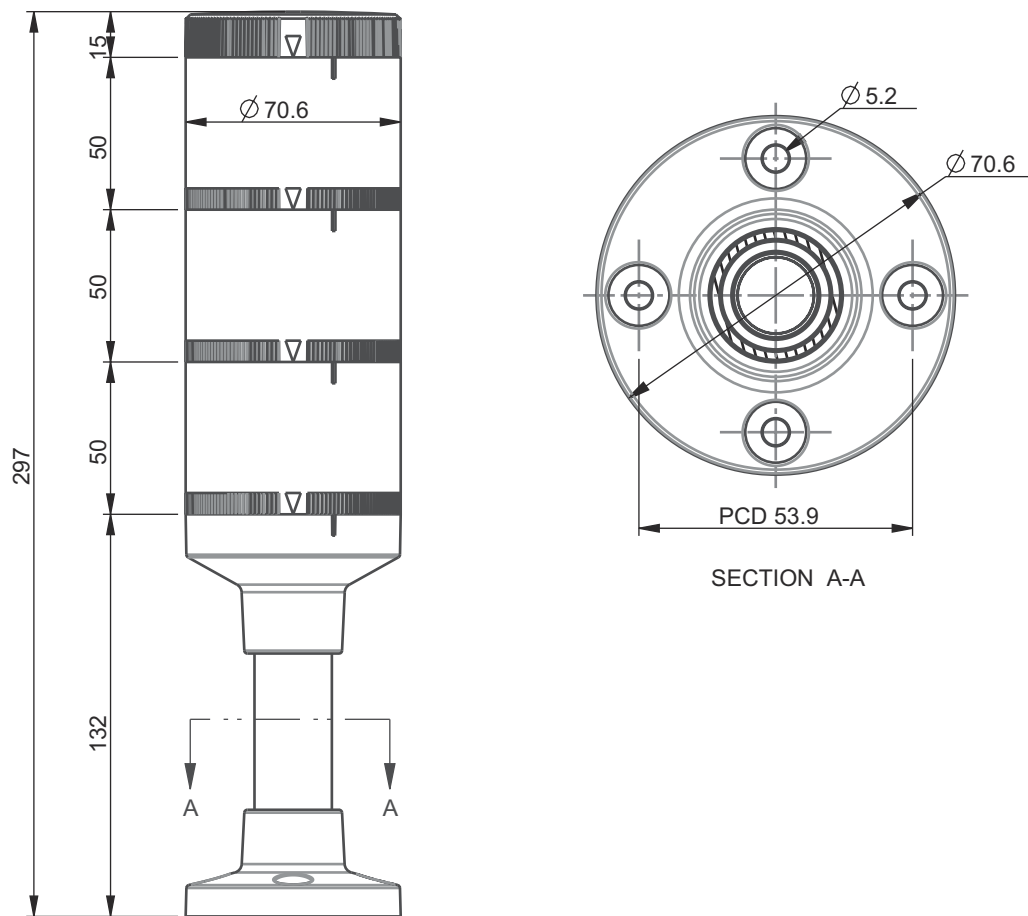
Degree of protection	IP 66
Certifications	CE CSA

Classification

Customs tariff number	85318070
ECLASS 5.1.4	27371230
ECLASS 8.0	27371230
ECLASS 9.0	27371220
ECLASS 10.0	27371230
ECLASS 11.0	27371230
ECLASS 12.0	27371230
ECLASS 13.0	27371230
ECLASS 14.0	27371230
ETIM 5.0	EC001042
ETIM 6.0	EC001042
ETIM 7.0	EC001042
ETIM 8.0	EC001042
ETIM 9.0	EC001042

Dimensioned drawings

All dimensions in millimeters



Electrical connection

Connection 1

Cable length	1,500 mm
Sheathing material	PVC
Cable color	Gray
Number of conductors	6 -wire
Wire cross section	0.34 mm ²

Conductor color

Conductor assignment

Black	GND
Red	VCC / Light color: red
Green	VCC / Light color: green
Orange	VCC / Light color: yellow/orange
White	VCC / Light color: white / buzzer
Blue	VCC / Light color: blue

Connection 2

Type of connection	Open end
--------------------	----------


Electrical connection

Connection 3

Function	Connection to device
Type of connection	Terminal
Type of terminal	Tension spring technology
No. of pins	6 -pin


Terminal	Assignment
B	Blue
G	Green
A	orange/yellow
R	Red
0 V	GND
W	white/buzzer

Notes

⚠ Observe intended use!	
	<ul style="list-style-type: none"> ⌘ This product is not a safety sensor and is not intended as personnel protection. ⌘ The product may only be put into operation by competent persons. ⌘ Only use the product in accordance with its intended use.

Accessories

Muting - Mounting systems

	Part no.	Designation	Article	Description
	50142896	A7-MW2	Tower light element	Design: L shape Version: Angle, L-shape Fastening, at system: Through-hole mounting

Note	
	⌘ A list with all available accessories can be found on the Leuze website in the Download tab of the article detailed page.