

Technical data sheet

Safety switch

Part no.: 63000106

S20-P4C1-M12-FH

Contents

- Technical data
- Dimensioned drawings
- Electrical connection
- Circuit diagrams
- Notes



For illustration purposes only



Technical data

Basic data

| | |
|--------|-----|
| Series | S20 |
|--------|-----|

Functions

| | |
|-----------|---|
| Functions | Type 2 interlock device with mechanically actuated position switch with low-coded actuator acc. to DIN EN ISO 14119 |
|-----------|---|

Characteristic parameters

| | |
|--------------------|----------------------------|
| Mission time T_M | 20 years, EN ISO 13849-1 |
| $B10_d$ | 2,000,000 number of cycles |

Electrical data

| | |
|-------------------------|----------------------------------|
| Usage category at DC 13 | Ue 24 V, Ie 2 A, EN 60947-5-1 |
| Usage category at AC 15 | Ue 24 V, Ie 2 A, EN 60947-5-1 |
| Contact allocation | 2NC + 1NO |
| Contact opening | Force-fit |
| Short circuit protected | 500 V, 2 A, type gG, IEC 60269-1 |
| Contact protection | Protective insulation O |

Performance data

| | |
|------------------------------------|------------------|
| Rated insulation voltage | 30 V AC, 36 V DC |
| Conventional thermal current, max. | 2 A |

Connection

| | |
|-----------------------|------------|
| Number of connections | 1 Piece(s) |
|-----------------------|------------|

Connection 1

| | |
|--------------------|--------------------|
| Function | Contact connection |
| Type of connection | Connector |
| Thread size | M12 |
| Material | Plastic |
| No. of pins | 8 -pin |

Mechanical data

| | |
|---------------------------------------|--|
| Design | Cubic |
| Dimension (W x H x L) | 30.8 mm x 30.8 mm x 93 mm |
| Housing material | Plastic |
| Plastic housing | Glass fiber reinforced (PPS), self-extinguishing |
| Electrical contact material | Silver alloy |
| Net weight | 112 g |
| Housing color | Black |
| | Red |
| Type of fastening | Through-hole mounting |
| Switch type | Interlock device without guard interlocking, ISO 14119 |
| Switching principle | Slow-action contact |
| Approach actuation directions | 1 x top 4 x side (90°) |
| Approach speed | 0 ... 0.5 m/s |
| Mechanical life time | 1,000,000 actuation cycles, IEC 6047-5-1 |
| Actuation frequency, max. | 3,600 per hour, IEC 6047-5-1 |
| External actuator | AC-ANxx series: straight, angled, resilient, alignable |
| Extraction force, unlocked actuator | 10 N |
| Actuating path with forced separation | 7.8 mm |
| Recoil tolerance | 4.5 mm |

Environmental data

| | |
|-----------------------------------|---------------|
| Ambient temperature, operation | -25 ... 80 °C |
| Degree of contamination, external | 3, EN 60947-1 |

Certifications

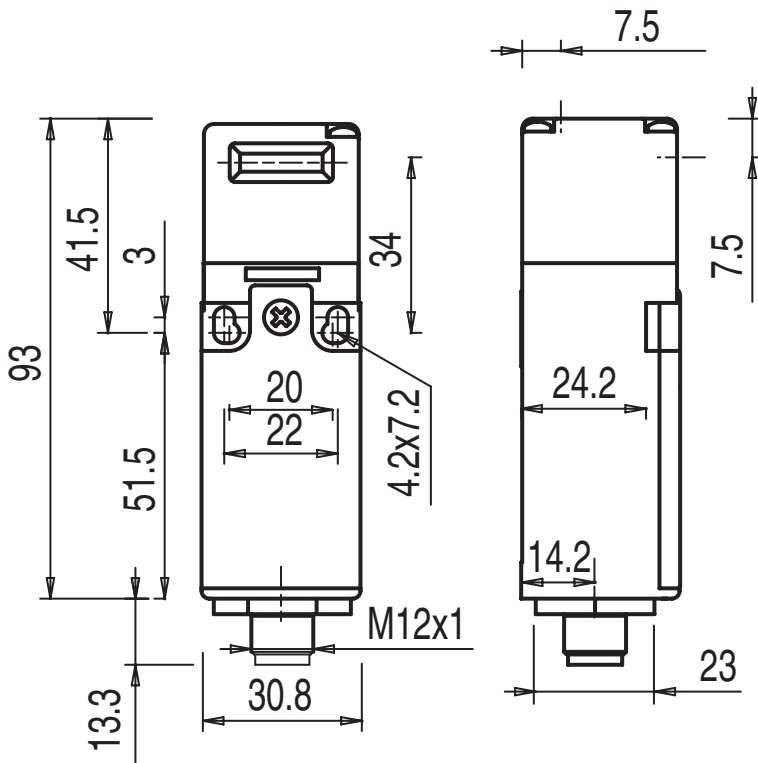
| | |
|----------------------|----------------|
| Degree of protection | IP 67 |
| Certifications | c UL US IMQ |

Classification

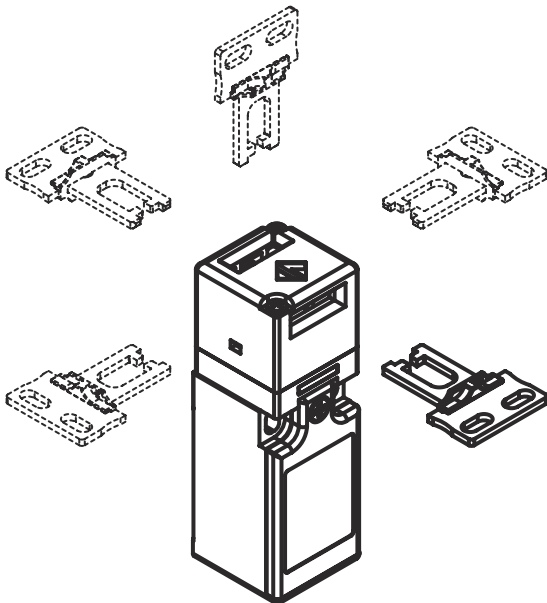
| | |
|-----------------------|----------|
| Customs tariff number | 85369095 |
| ECLASS 5.1.4 | 27272602 |
| ECLASS 8.0 | 27272602 |
| ECLASS 9.0 | 27272602 |
| ECLASS 10.0 | 27272602 |
| ECLASS 11.0 | 27272602 |
| ECLASS 12.0 | 27272602 |
| ECLASS 13.0 | 27272602 |
| ECLASS 14.0 | 27272602 |
| ETIM 5.0 | EC002592 |
| ETIM 6.0 | EC002592 |
| ETIM 7.0 | EC002592 |
| ETIM 8.0 | EC002592 |
| ETIM 9.0 | EC002592 |

Dimensioned drawings

All dimensions in millimeters



Approach directions

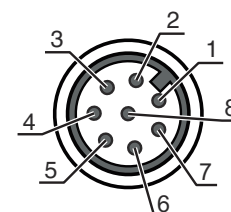


Electrical connection

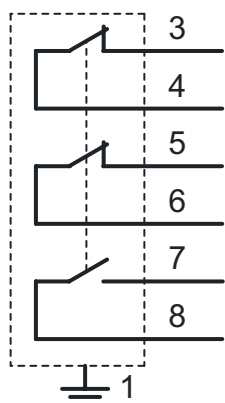
Connection 1

| | |
|--------------------|--------------------|
| Function | Contact connection |
| Type of connection | Connector |
| Thread size | M12 |
| Type | Male |
| Material | Plastic |
| No. of pins | 8 -pin |
| Encoding | A-coded |

| Pin | Pin assignment |
|-----|----------------|
| 1 | n.c. |
| 2 | n.c. |
| 3 | NC(1) |
| 4 | NC(1) |
| 5 | NC(2) |
| 6 | NC(2) |
| 7 | NO(1) |
| 8 | NO(1) |



Circuit diagrams



Notes

| | |
|------------------------------|---|
| Observe intended use! | |
| | <ul style="list-style-type: none"> ⚡ The product may only be put into operation by competent persons. ⚡ Only use the product in accordance with its intended use. |