

## Technical data sheet Mounting bracket set

Part no.: 560340

BT-SET-240BC

### Contents

- Technical data
- Dimensioned drawings



For illustration purposes only

## Technical data

### Basic data

Suitable for product group	Protective sensors
Suitable for	MLD 500, MLD 300 multiple light beam safety devices

### Mechanical data

Type of fastening, at system	Through-hole mounting
Type of fastening, at device	Clampable
Type of mounting device	Turning, 240°
Mounting device material	Metal
Shock absorber	No

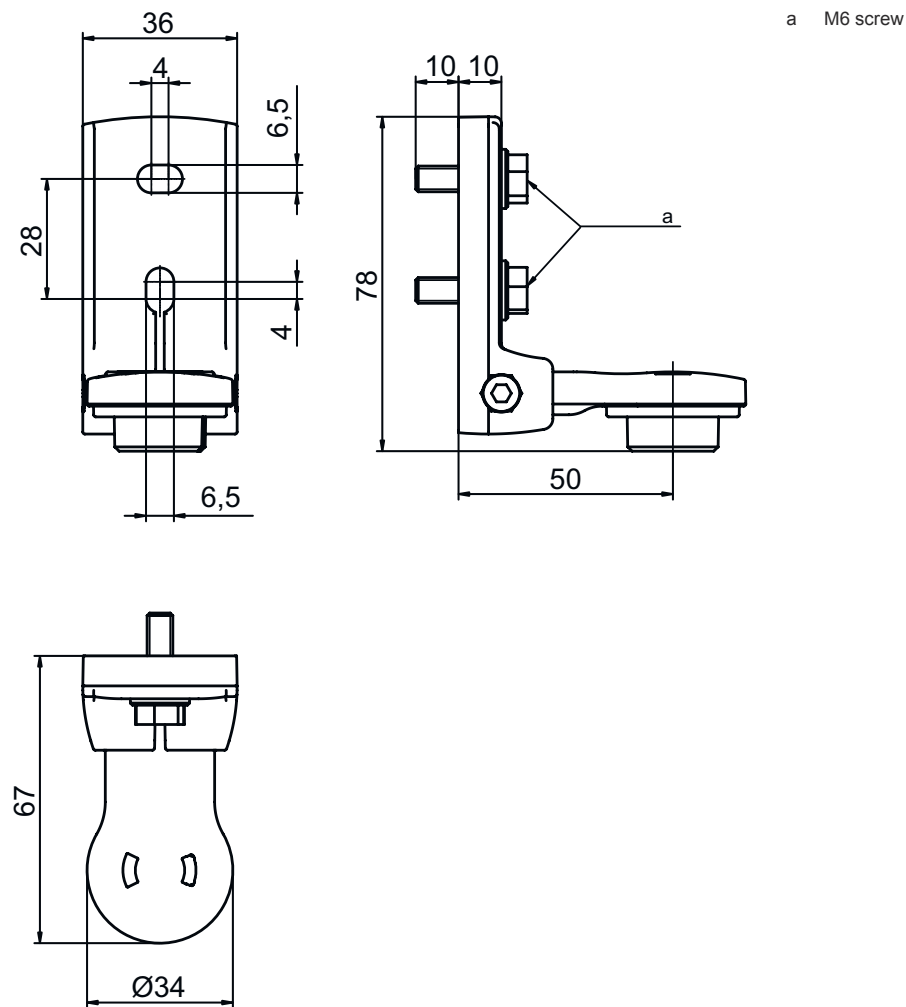
### Classification

Customs tariff number	73269098
ECLASS 5.1.4	27279202
ECLASS 8.0	27279202
ECLASS 9.0	27273701
ECLASS 10.0	27273701
ECLASS 11.0	27273701
ECLASS 12.0	27273701
ECLASS 13.0	27273701
ECLASS 14.0	27273701
ETIM 5.0	EC002498
ETIM 6.0	EC003015
ETIM 7.0	EC003015
ETIM 8.0	EC003015
ETIM 9.0	EC003015

# Dimensioned drawings

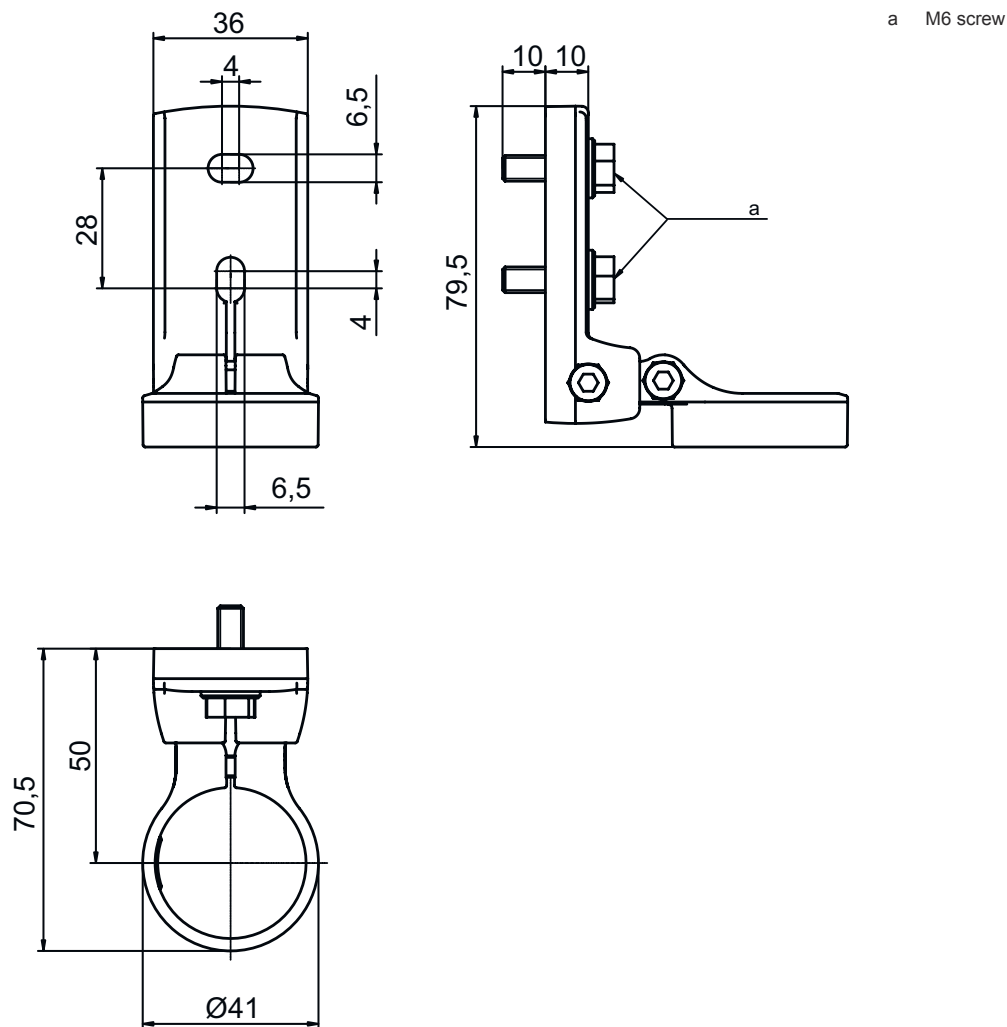
All dimensions in millimeters

## BT-SET-240B swivel mount



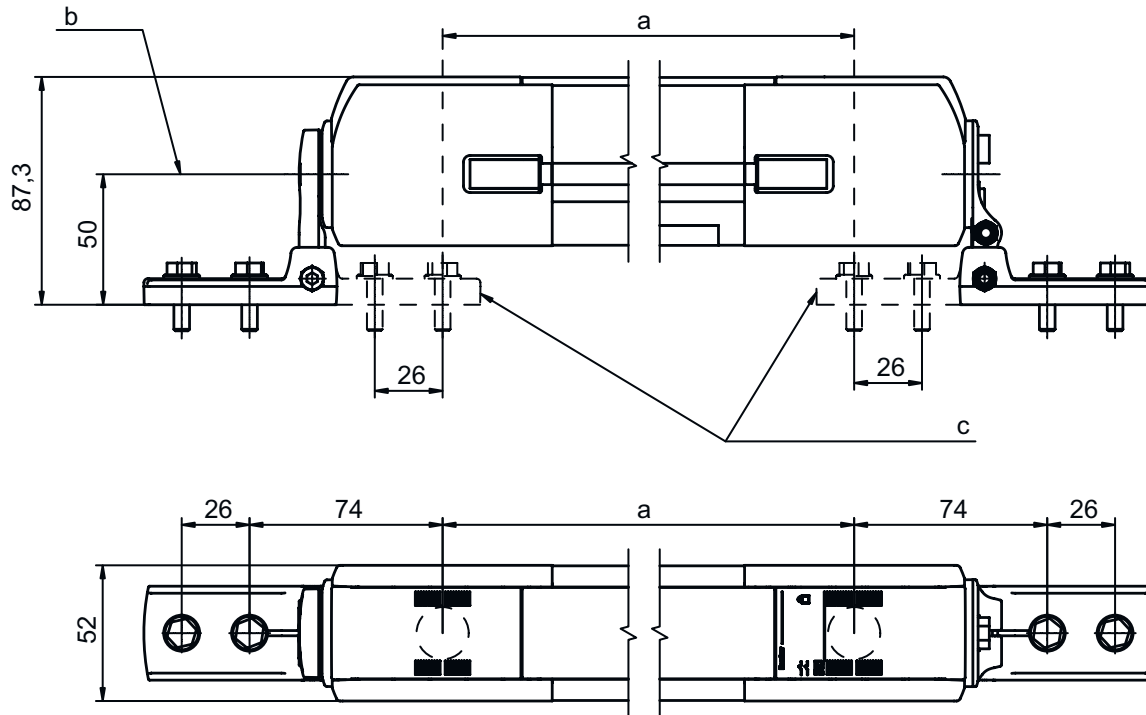
## Dimensioned drawings

### BT-SET-240C swivel mount



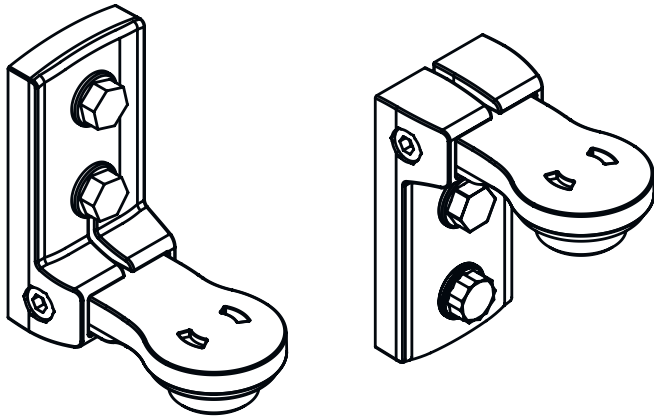
## Dimensioned drawings

### Mounting dimensions



- a Beam spacing
- b Swivel axis
- c Alternative mounting variant

### Mounting variants



## Dimensioned drawings

### Mounting variants

