

Technical data sheet

Fastening

Part no.: 50121904

BT318B-OM

Contents

- Technical data
- Dimensioned drawings
- Accessories



For illustration purposes only

Technical data

Basic data

Suitable for product group	Switching sensors, cylindrical
Suitable for	318 series sensors

Mechanical data

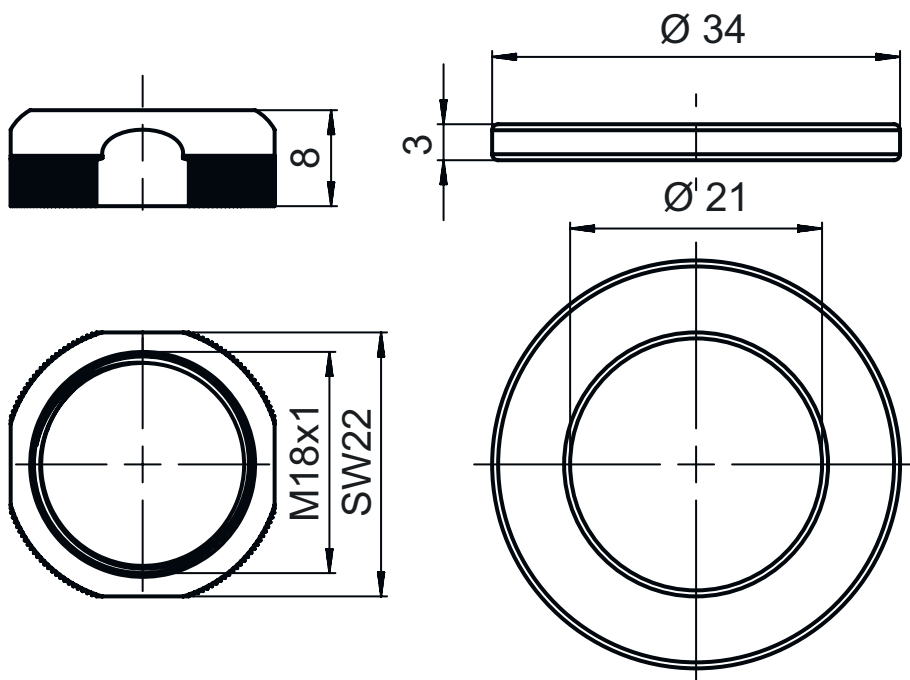
Chemical designation, plastic mounting devices	Polyoxymethylene (POM)
Design of mounting device	Mounting clamp
Type of fastening, at system	Through-hole mounting
Type of fastening, at device	Screw type
Type of mounting device	Adjustable
	Swiveling
	Turning
Mounting device material	Plastic
Shock absorber	No

Classification

Customs tariff number	39269097
ECLASS 5.1.4	27279202
ECLASS 8.0	27279202
ECLASS 9.0	27273701
ECLASS 10.0	27273701
ECLASS 11.0	27273701
ECLASS 12.0	27273701
ECLASS 13.0	27273701
ECLASS 14.0	27273701
ETIM 5.0	EC002498
ETIM 6.0	EC003015
ETIM 7.0	EC003015
ETIM 8.0	EC003015
ETIM 9.0	EC003015


Dimensioned drawings

All dimensions in millimeters



Accessories

Mounting technology - Mounting brackets

	Part no.	Designation	Article	Description
	50117257	BT D21M	Mounting bracket	Diameter, inner: 21 mm Design of mounting device: Angle, L-shape Fastening, at system: Through-hole mounting Mounting bracket, at device: Screw type Type of mounting device: Adjustable Material: Metal

Note



A list with all available accessories can be found on the Leuze website in the Download tab of the article detailed page.