

## Technical data sheet Mounting bracket set

Part no.: 424423

BT-2SB10-S

### Contents

- Technical data
- Dimensioned drawings



For illustration purposes only

## Technical data

### Basic data

<b>Contains</b>	2x BT-SB10-S
<b>Suitable for product group</b>	Measuring light curtains
	Protective sensors
	Safety light curtains
	Switching light curtains
<b>Suitable for</b>	CML700i light curtains
	CSL 710 light curtains
	Especially for devices with large protective field height
	MLC 500, MLC 300 safety light curtains
	MLD 500, MLD 300 multiple light beam safety devices
	Single light beam safety devices MLD500

### Mechanical data

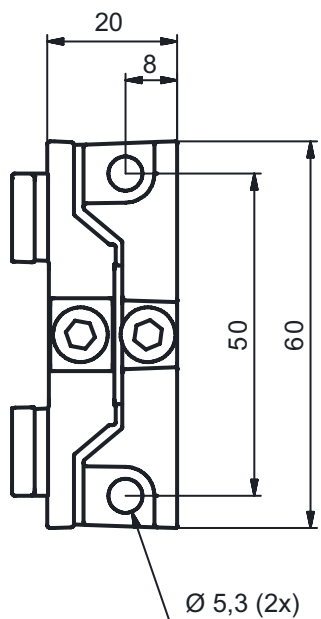
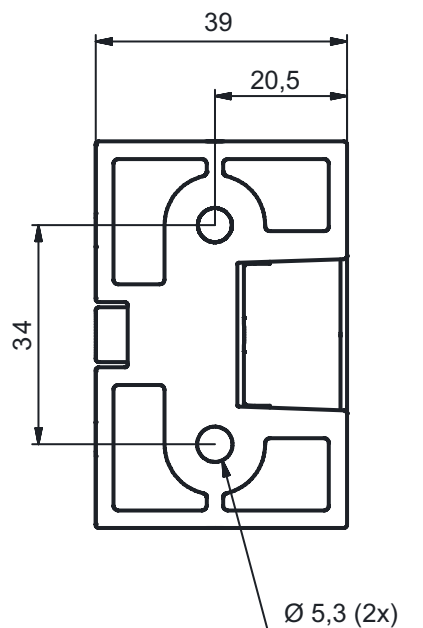
<b>Design of mounting device</b>	Mounting clamp
<b>Type of fastening, at system</b>	Through-hole mounting
<b>Type of fastening, at device</b>	Clampable
	On the lateral C-groove
<b>Type of mounting device</b>	Swiveling with vibration damper
<b>Swivel range</b>	-8 ... 8 °
<b>Mounting device material</b>	Metal
<b>Shock absorber</b>	Yes

### Classification

<b>Customs tariff number</b>	79070000
<b>ECLASS 5.1.4</b>	27279202
<b>ECLASS 8.0</b>	27279202
<b>ECLASS 9.0</b>	27273701
<b>ECLASS 10.0</b>	27273701
<b>ECLASS 11.0</b>	27273701
<b>ECLASS 12.0</b>	27273701
<b>ECLASS 13.0</b>	27273701
<b>ECLASS 14.0</b>	27273701
<b>ETIM 5.0</b>	EC002498
<b>ETIM 6.0</b>	EC003015
<b>ETIM 7.0</b>	EC003015
<b>ETIM 8.0</b>	EC003015
<b>ETIM 9.0</b>	EC003015

# Dimensioned drawings

All dimensions in millimeters



## Dimensioned drawings

### Mounting variants

