

## Technical data sheet Mounting bracket set

Part no.: 429396

BT-2HF-GS

### Contents

- Technical data
- Dimensioned drawings



For illustration purposes only

## Technical data

### Basic data

<b>Contains</b>	2 cylinders for mounting on the light curtain 2x BT-HF swivel mount
<b>Suitable for product group</b>	Safety light curtains
<b>Suitable for</b>	MLC 500 MiddleGuest and Guest safety light curtains

### Mechanical data

<b>Type of fastening, at system</b>	Through-hole mounting
<b>Type of fastening, at device</b>	Clampable
<b>Type of mounting device</b>	Turning, 360°
<b>Mounting device material</b>	Metal Plastic
<b>Shock absorber</b>	Yes

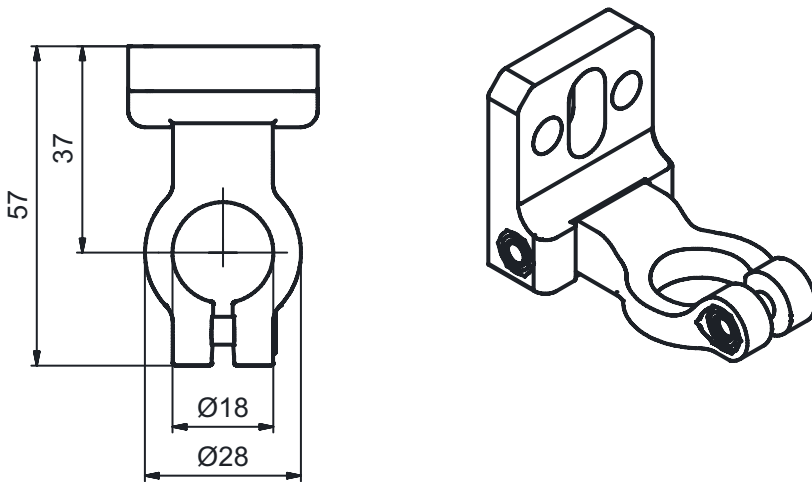
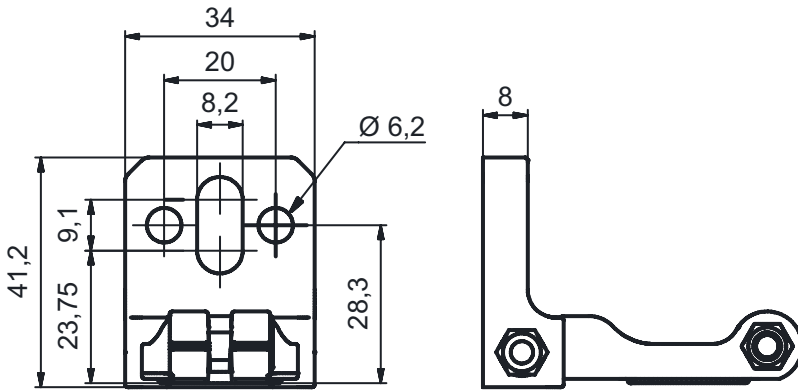
### Classification

<b>Customs tariff number</b>	73181900
<b>ECLASS 5.1.4</b>	27279202
<b>ECLASS 8.0</b>	27279202
<b>ECLASS 9.0</b>	27273701
<b>ECLASS 10.0</b>	27273701
<b>ECLASS 11.0</b>	27273701
<b>ECLASS 12.0</b>	27273701
<b>ECLASS 13.0</b>	27273701
<b>ECLASS 14.0</b>	27273701
<b>ETIM 5.0</b>	EC002498
<b>ETIM 6.0</b>	EC003015
<b>ETIM 7.0</b>	EC003015
<b>ETIM 8.0</b>	EC003015
<b>ETIM 9.0</b>	EC003015

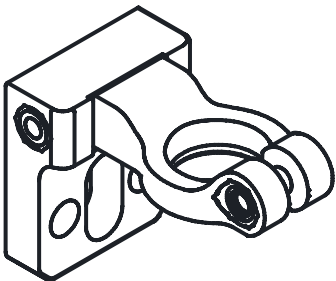
## Dimensioned drawings

All dimensions in millimeters

### BT-HF swivel mount



### Mounting variant



## Dimensioned drawings

BT-HF swivel mount with vibration damper

