

Technical data sheet

Deflecting mirror

Part no.: 529604

UM60-450

Contents

- Technical data
- Dimensioned drawings



For illustration purposes only

Technical data

Basic data

| | |
|---------------------------|------------------------------------|
| Series | UM |
| Type, columns and mirrors | Deflecting mirror on the rear side |

Mechanical data

| | |
|------------------------------|----------------------------------------|
| Dimension (W x H x L) | 25 mm x 68 mm x 520 mm |
| Net weight | 1,000 g |
| Housing color | Yellow, RAL 1021 |
| Type of fastening | Groove mounting Swivel mount |
| Suitable for sensor | MLC 500, MLC 300 safety light curtains |
| Protected field height up to | 450 mm |
| Mirror length | 510 mm |

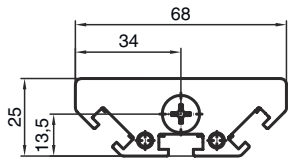
Classification

| | |
|-----------------------|----------|
| Customs tariff number | 70099200 |
| ECLASS 5.1.4 | 27279207 |
| ECLASS 8.0 | 27279207 |
| ECLASS 9.0 | 27273605 |
| ECLASS 10.0 | 27273605 |
| ECLASS 11.0 | 27273605 |
| ECLASS 12.0 | 27273605 |
| ECLASS 13.0 | 27273605 |
| ECLASS 14.0 | 27273605 |
| ETIM 5.0 | EC002467 |
| ETIM 6.0 | EC002467 |
| ETIM 7.0 | EC002467 |
| ETIM 8.0 | EC002467 |
| ETIM 9.0 | EC002467 |

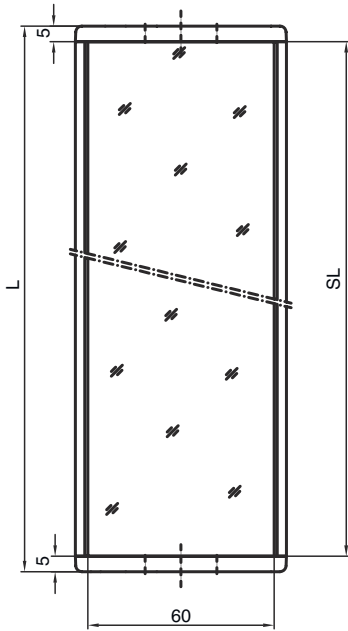
Dimensioned drawings

All dimensions in millimeters

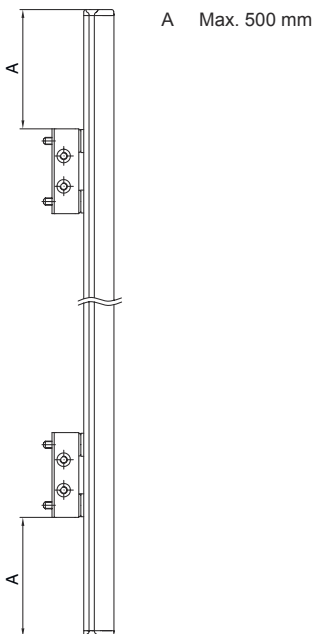
Mirror



L Length = 520 mm
SL Mirror length = 510 mm

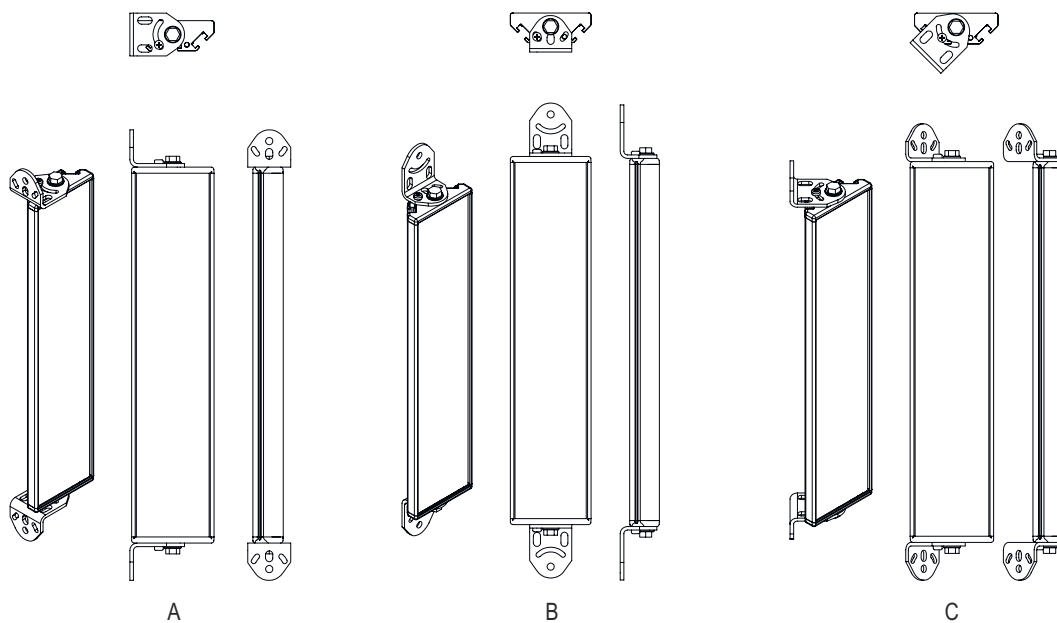


Mounting distances



Dimensioned drawings

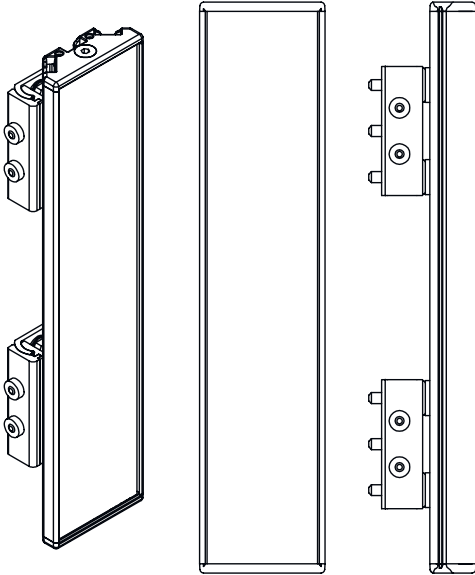
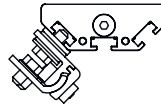
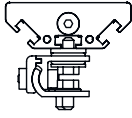
Mounting with BT-UM60 standard bracket



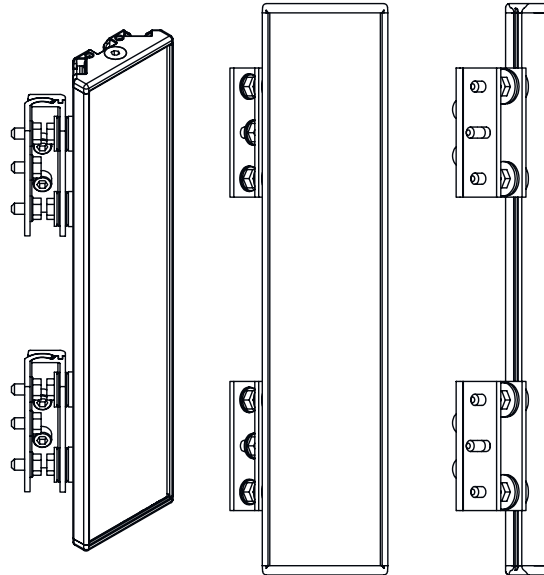
- A Lateral
- B Rear side
- C Adjustable at an angle (0 - 90°)

Dimensioned drawings

Mounting with BT-SSD swiveling mounting bracket



A



B

- A Rear side
- B Lateral 45°