

## Technical data sheet

### Deflecting mirror

Part no.: 50110200

US 60-150W

#### Contents

- Technical data
- Dimensioned drawings
- Accessories



For illustration purposes only

## Technical data

### Basic data

Contains	2x M6 sliding block
Type, columns and mirrors	Surface deflecting mirror

### Mechanical data

Dimension (W x H x L)	25 mm x 68 mm x 220 mm
Net weight	600 g
Housing color	Yellow, RAL 1021
Type of fastening	Groove mounting Swivel mount
Suitable for sensor	Stationary bar code readers
Mirror length	210 mm
Mirror width	60 mm

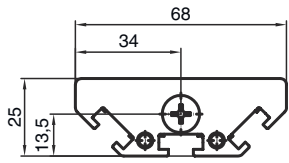
### Classification

Customs tariff number	70099200
ECLASS 5.1.4	27279207
ECLASS 8.0	27279207
ECLASS 9.0	27273605
ECLASS 10.0	27273605
ECLASS 11.0	27273605
ECLASS 12.0	27273605
ECLASS 13.0	27273605
ECLASS 14.0	27273605
ECLASS 15.0	27273605
ECLASS 16.0	27273605
ETIM 5.0	EC002467
ETIM 6.0	EC002467
ETIM 7.0	EC002467
ETIM 8.0	EC002467
ETIM 9.0	EC002467
ETIM 10.0	EC002467
UNSPSC 26.08	31241706

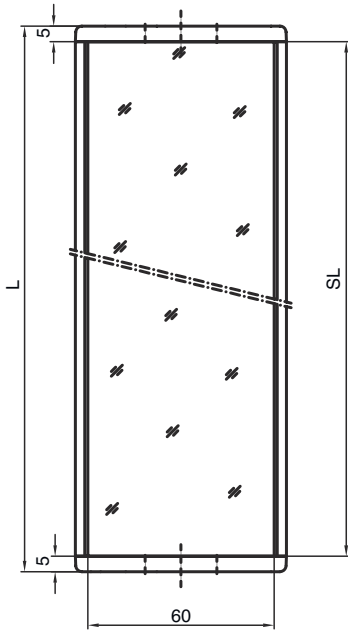
## Dimensioned drawings

All dimensions in millimeters

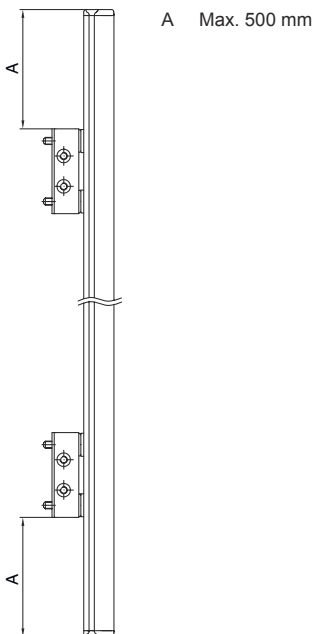
### Mirror



L Length = 220 mm  
SL Mirror length = 210 mm

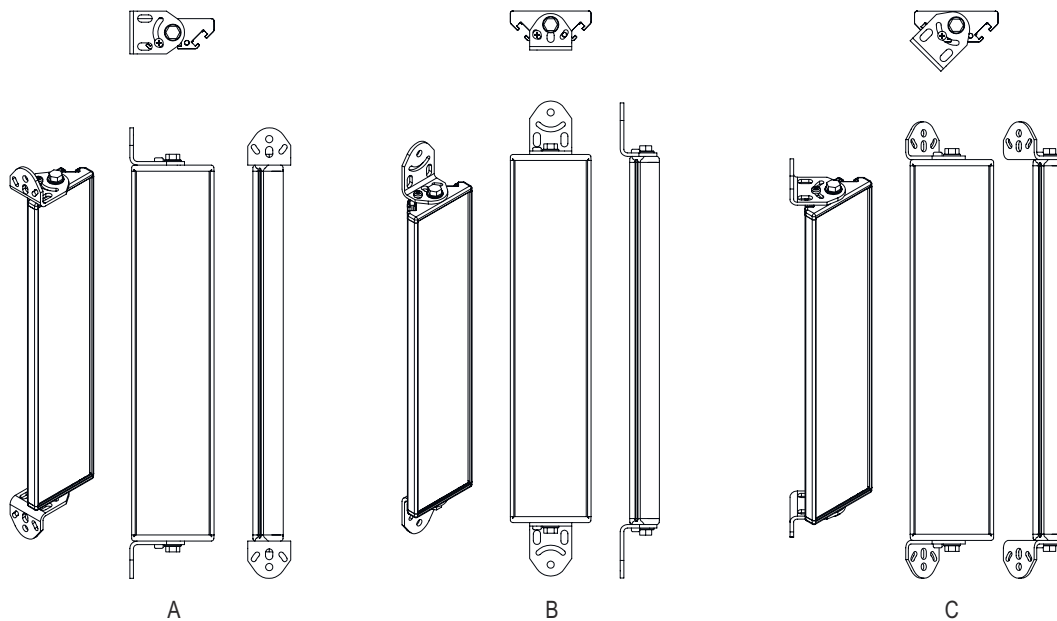


### Mounting distances



## Dimensioned drawings

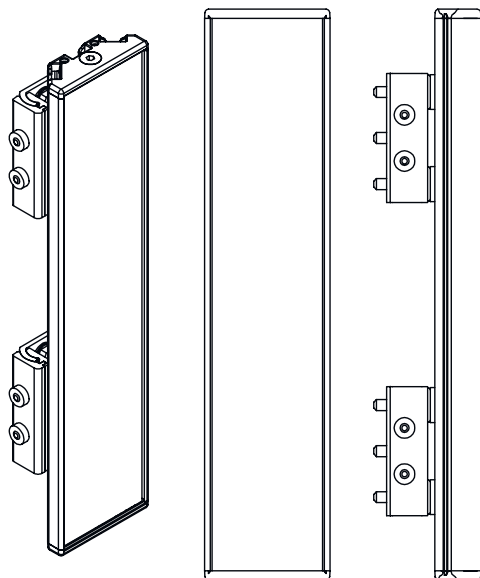
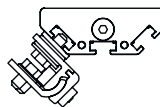
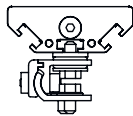
Mounting with BT-2UM60 standard bracket



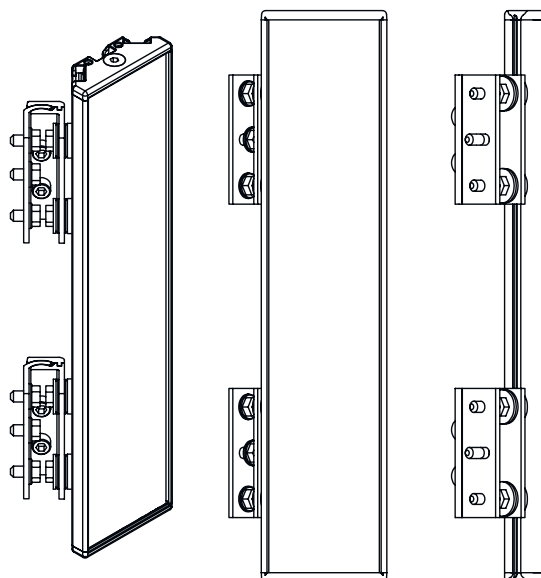
- A Lateral
- B Rear side
- C Adjustable at an angle (0 - 90°)

# Dimensioned drawings

Mounting with BT-2SB10 swiveling mounting bracket



A




B


- A Rear side
- B Lateral 45°

## Accessories

### Mounting technology - Mounting brackets

	Part no.	Designation	Article	Description
	430105	BT-2UM60	Mounting bracket	Fastening, at system: Through-hole mounting Mounting bracket, at device: Screw type Material: Metal

### Mounting technology - Swivel mounts

	Part no.	Designation	Article	Description
	424422	BT-2SB10	Mounting bracket set	Contains: 2x BT-SB10 Design of mounting device: Mounting clamp Fastening, at system: Through-hole mounting Mounting bracket, at device: Clampable, On the lateral C-groove Type of mounting device: Swiveling Swivel range: -8 ... 8° Material: Metal

## Accessories

### Note



🔗 A list with all available accessories can be found on the Leuze website in the Download tab of the article detailed page.