

Technical data sheet

Transponder

Part no.: 50141658

TFM 05 1625.210

Contents

- Technical data
- Dimensioned drawings
- Further information



For illustration purposes only



Technical data

Basic data

Series	TFM
Suitable for	RFM
Chip	NXP ICODE SLI
Working frequency	13.56 MHz

Electrical data

Performance data

Memory size	256 B
Memory block	64 Piece(s)
Memory type	EEPROM
Number of write cycles	10 to the power of 5
Number of read cycles	unlimited

Certifications

Standards applied	ISO 15693
-------------------	-----------

Mechanical data

Design	Disc
Thickness	6 mm
Outer diameter	50 mm
Inner diameter	5 mm
Housing material	Plastic
Plastic housing	LCP (Liquid Crystal Polymer)
Net weight	16.9 g

Environmental data

Ambient temperature, operation	-25 ... 150 °C
Ambient temperature, storage, time-limited	-40 ... +250 °C = 1,000 h or 1,000 cycles

Certifications

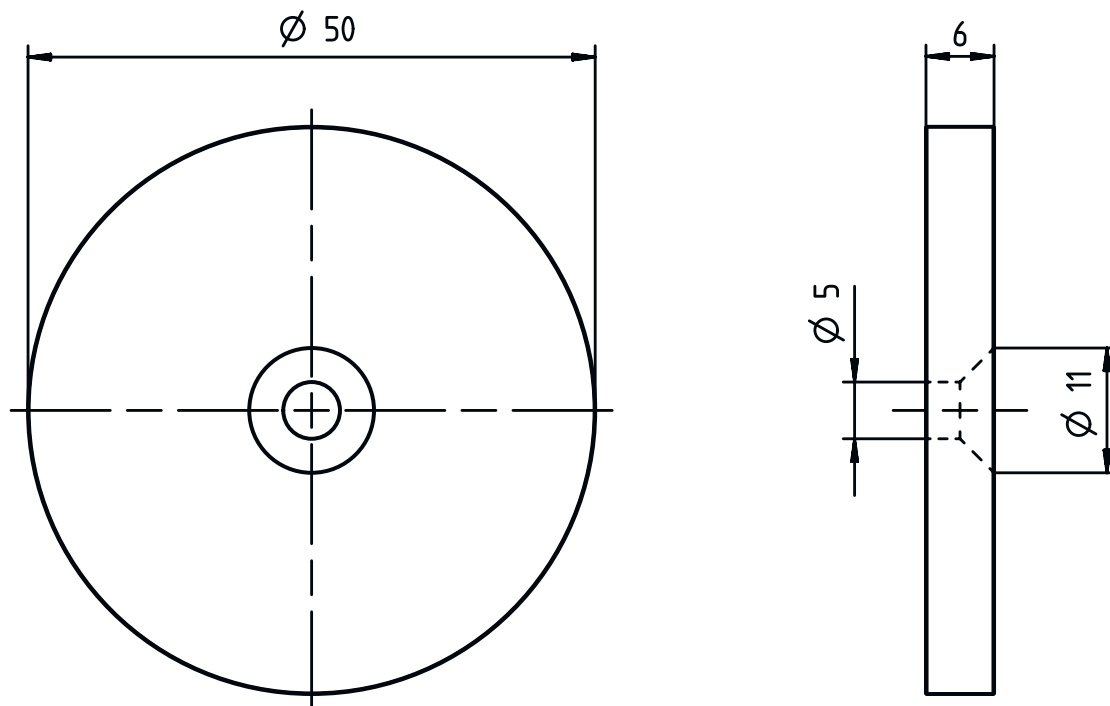
Degree of protection	IP 68
	IP 69K

Classification

Customs tariff number	85235200
ECLASS 5.1.4	27289200
ECLASS 8.0	27289290
ECLASS 9.0	27280402
ECLASS 10.0	27280402
ECLASS 11.0	27280402
ECLASS 12.0	27280402
ECLASS 13.0	27280402
ECLASS 14.0	27280402
ECLASS 15.0	27280402
ECLASS 16.0	27280402
ETIM 5.0	EC002498
ETIM 6.0	EC002996
ETIM 7.0	EC002996
ETIM 8.0	EC002996
ETIM 9.0	EC002996
ETIM 10.0	EC002996
UNSPSC 26.08	43211710

Dimensioned drawings

All dimensions in millimeters



Further information