

Technical data sheet Stationary 2D-code reader

Part no.: 50154401

DCR108iADJ-0608-312-R3M-F001

Contents

- Technical data
- Dimensioned drawings
- Electrical connection
- Diagrams
- Operation and display
- Part number code
- Notes
- Accessories



For illustration purposes only

CE **RS232** Ethernet

Technical data

Basic data

Series	DCR 100i
Chip	CMOS (Global Shutter)

Functions

Software functions	Reading of 1D codes Reading of 2D codes
--------------------	--

Read data

Code types, readable	2/5 Hong Kong 2/5 IATA 2/5 Interleaved Aztec Codabar Code 128 Code 32 Code 39 Code 93 Composite Codes Data Matrix Code EAN 8/13 GS1 Databar Expanded GS1 Databar Expanded Stacked GS1 Databar Limited GS1 Databar RSS 14 GS1 Databar RSS 14 Stacked Maxicode Micro QR MSI Plessey PDF417 PDF417 Micro Pharma Code QR code UPC-A UPC-E
----------------------	--

Optical data

Reading distance	40 ... 550 mm
Light source	LED, Red
Camera resolution, horizontal	1,080 px
Camera resolution, vertical	1,280 px
Focal length	6 mm
Reading field opening angle, horizontal	29 °
Reading field opening angle, vertical	34 °
Modulus size	0.08 ... 0.5 mm
Camera type	Monochrome
Focus	Manually adjustable

Electrical data

Protective circuit	Overload protection
Performance data	
Supply voltage U_B	12 ... 28 V, DC
Current consumption, additional note	max.= 11W, at 12 V DC
Inputs	
Number of digital switching inputs	1 Piece(s)

Switching inputs

Type	Digital switching input
Voltage type	DC
Switching principle	PNP/NPN (Opto-coupled transistor (Switching element))

Outputs

Number of digital switching outputs	2 Piece(s)
-------------------------------------	------------

Switching outputs

Type	Digital switching output
Voltage type	DC
Switching current, max.	100 mA

Switching output 1

Switching element	Opto-coupled transistor
Switching principle	NPN

Switching output 2

Switching element	Opto-coupled transistor
Switching principle	NPN

Interface

Type	RS 232, Ethernet
------	------------------

RS 232

Function	Process
Transmission speed	9,600 ... 230,400 Bd
Data format	Adjustable
Start bit	1
Data bit	8
Stop bit	1
Parity	None
Data encoding	ASCII Binary

Ethernet

Architecture	Client Server
Address assignment	DHCP Manual address assignment
Transmission speed	10 Mbit/s 100 Mbit/s
Function	Process
Switch functionality	None
Transmission protocol	TCP/IP, UDP, Modbus TCP

Connection

Number of connections	1 Piece(s)
-----------------------	------------

Connection 1

Function	Data interface Signal IN Signal OUT Voltage supply
Type of connection	Connector
Thread size	M12
Type	Female
Material	Metal
No. of pins	12 -pin
Encoding	A-coded

Technical data

Mechanical data

Design	Cubic
Dimension (W x H x L)	44 mm x 29 mm x 53 mm
Housing material	Metal
Metal housing	Aluminum
Lens cover material	Glass
Net weight	150 g
Housing color	Silver
Type of fastening	Mounting thread Via optional mounting device

Operation and display

Type of display	LED
Number of LEDs	5 Piece(s)
Type of configuration	Configuration codes Software Teach-in
Operational controls	Button(s)
Function of the operational control	Resetting to factory settings Trigger Tune

Environmental data

Ambient temperature, operation	0 ... 50 °C
Ambient temperature, storage	-30 ... 70 °C
Relative humidity (non-condensing)	5 ... 95 %

Certifications

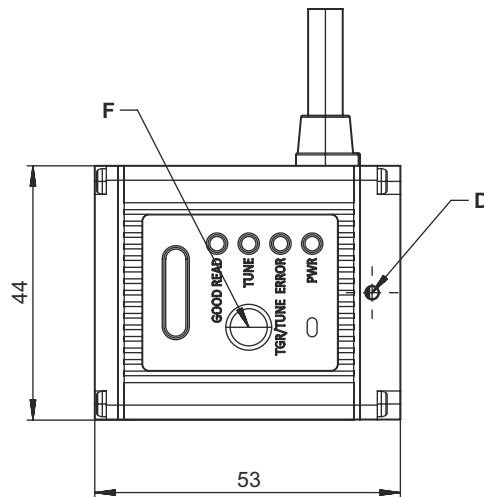
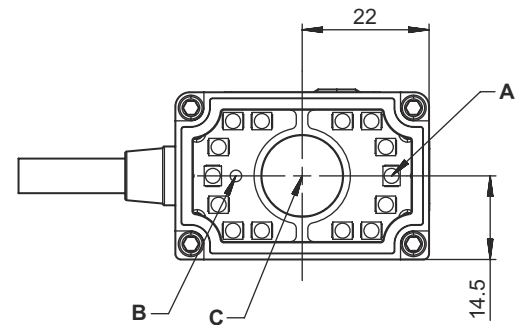
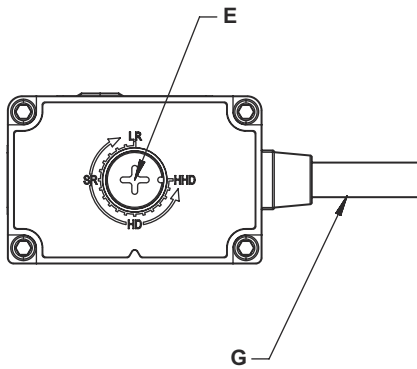
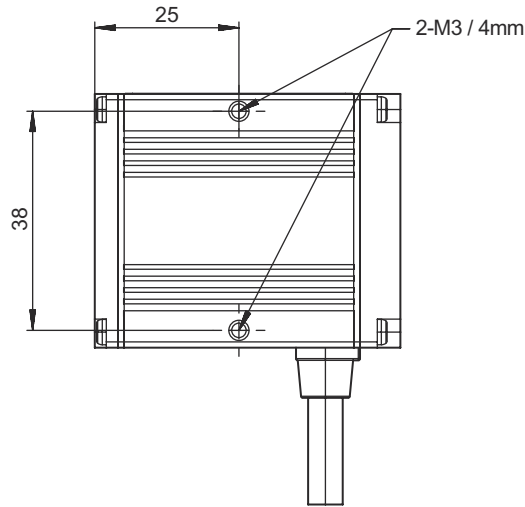
Degree of protection	IP 64
Protection class	III
Test procedure for EMC in accordance with standard	FCC 15-CFR 47 Part 15 Limits Class B IEC 61000-4-2 IEC 61000-4-3 IEC 61000-4-8

Classification

Customs tariff number	84719000
ECLASS 5.1.4	27280103
ECLASS 8.0	27280103
ECLASS 9.0	27280103
ECLASS 10.0	27280103
ECLASS 11.0	27280103
ECLASS 12.0	27280103
ECLASS 13.0	27280103
ECLASS 14.0	27280103
ECLASS 15.0	27280103
ECLASS 16.0	27280103
ETIM 5.0	EC002550
ETIM 6.0	EC002999
ETIM 7.0	EC002999
ETIM 8.0	EC002999
ETIM 9.0	EC002999
ETIM 10.0	EC002999
UNSPSC 26.08	43211701

Dimensioned drawings

All dimensions in millimeters



- A Integrated LED for illumination (red light)
- B Integrated target Laser diode (red)
- C Center of optical axis
- D Locking screw for focus adjustment (1.27mm Hex)
- E Screw for focus adjustment

- LR: Long range
- SR: Standard range
- HD: High density
- HHD: Hyper High density
- F Trigger/Tune button

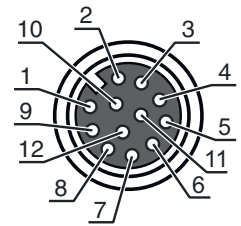
- G Cable with M12 12-pin female connector

Electrical connection

Connection 1

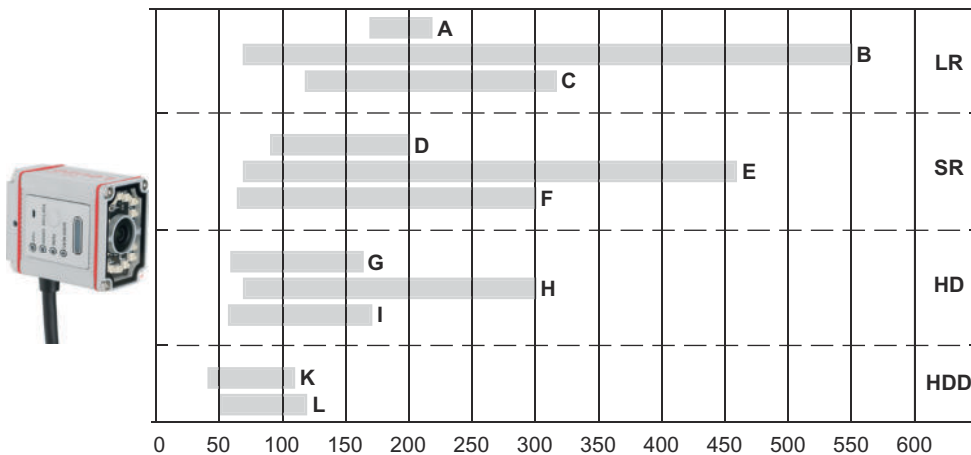
Function	Data interface Signal IN Signal OUT Voltage supply
Type of connection	Connector
Thread size	M12
Type	Female
Material	Metal
No. of pins	12 -pin
Encoding	A-coded

Pin	Pin assignment
1	RS 232 TxD
2	SWOUT 1 (No read)
3	FE
4	Trigger IN
5	SWOUT 2 (Good read)
6	GND
7	RS 232 RxD
8	Tx+
9	Tx-
10	V+
11	Rx-
12	Rx+



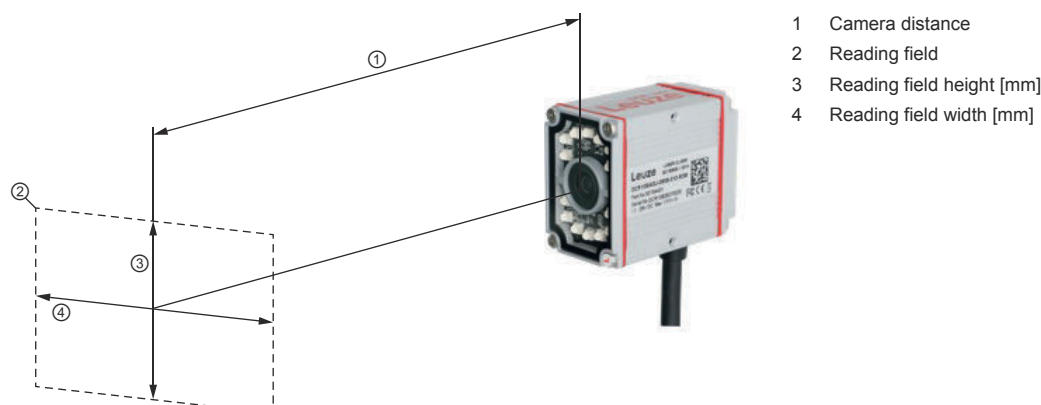
Diagrams

Reading distances (typical)



- A Long Range, 0.254 mm (10 mil) / 2D-Codes
- B Long Range, 0.33 mm (13 mil) / 1D-Codes
- C Long Range, 0.127 mm (5 mil) / 1D-Codes
- D Standard Range, 0.18mm (7 mil) / 2D-Code
- E Standard Range, 0.33mm (13 mil) / 1D-Codes
- F Standard Range, 0.127mm (5 mil) / 1D-Codes
- G High density, 0.18 mm (7 mil) / 2D-Codes
- H High density, 0.33 mm (13 mil) / 1D-Codes
- I High density, 0.08 mm (3 mil) / 1D-Codes
- K Hyper high density, 0.18mm (7 mil) / 2D-Codes
- L Hyper high density, 0.08mm (3 mil) / 1D-Codes

Diagrams



Field of view (typical)

Field of view (typical)		
1 Distance (mm)	3 Reading field height (mm)	4 Reading field width (mm)
100	52	61
200	103	122
300	155	183
400	206	244
500	257	306

Operation and display

LED	Display	Meaning
1 PWR	Off Amber, continuous light	No supply voltage Device ON
2 ERROR	Red, continuous light Red, 1x flashing	Device error Reading not successful
3 TUNE	Blue, flashing	Device in tuning mode
4 GOOD READ	Green, flashing	Reading successful

Part number code



Part designation: DCR XXXX YYY-ZZZZ-ABC-DEF-GGGG

DCR	Operating principle DCR: Dual Code Reader
XXXX	Series/interface (integrated fieldbus technology) 108i : Ethernet TCP/IP, RS 232, Modbus TCP
YYY	Focus ADJ: adjustable (manually)
ZZZZ	Optics model 06: focal length 6 mm 08: aperture f/8.0

Part number code


A	Connection 3: cable with single industrial plug 4: special cable (with dual industrial plug)
B	Cable length 1: 0.3 m
C	Beam exit 2: front side
D	Illumination R: red
E	Resolution range 3: 1024x768 - 1280x1024 pixels
F	Image sensor type M: monochrome
GGGG	Special equipment F001: NPN switching output

Notes


 Observe intended use!	
	<ul style="list-style-type: none"> ⚠ This product is not a safety sensor and is not intended as personnel protection. ⚠ The product may only be put into operation by competent persons. ⚠ Only use the product in accordance with its intended use.

Accessories

Connection technology - Interconnection cables

	Part no.	Designation	Article	Description
	50154484	KY DCR 108	Interconnection cable	Connection 1, function: Master connection Connection 1: Connector, M12, Axial, Male, A-coded, 12 -pin Connection 2: Open end Connection 3: RJ45, Female Shielded: Yes Cable length: 3,000 mm

Mounting technology - Mounting brackets

	Part no.	Designation	Article	Description
	50154483	BT DCR 100	Mounting device	Design of mounting device: Angle, L-shape Fastening, at system: Through-hole mounting Mounting bracket, at device: Screw type Type of mounting device: Rigid Material: Metal

Accessories

Note



🔗 A list with all available accessories can be found on the Leuze website in the Download tab of the article detailed page.