

Technical data sheet

Reflector

Part no.: 50124004

REF 6-S-26x280

Contents

- Technical data
- Dimensioned drawings
- Notes



For illustration purposes only

Technical data

Mechanical data

Design	Rectangular
Direction-dependent	Yes
Triple reflector size	0.3 mm
Mounting dimension, width	24.5 mm
Mounting dimension, height	278 mm
Mounting dimension, thickness	9.4 mm
Reflective surface, height	276 mm
Reflective surface, width	22 mm
Reflective surface, additional note	In the reflective surface, there may be a dividing line of max. 1 mm
Reflector material	Plastic
Material of base material	Plastic
Polarization-changing	Yes
Chemical designation, reflector material	PMMA8N
Structure, active surface	Mikrotriple
Net weight	30 g
Type of fastening	M4 threaded pin

Environmental data

Ambient temperature, operation	-40 ... 70 °C
--------------------------------	---------------

Certifications

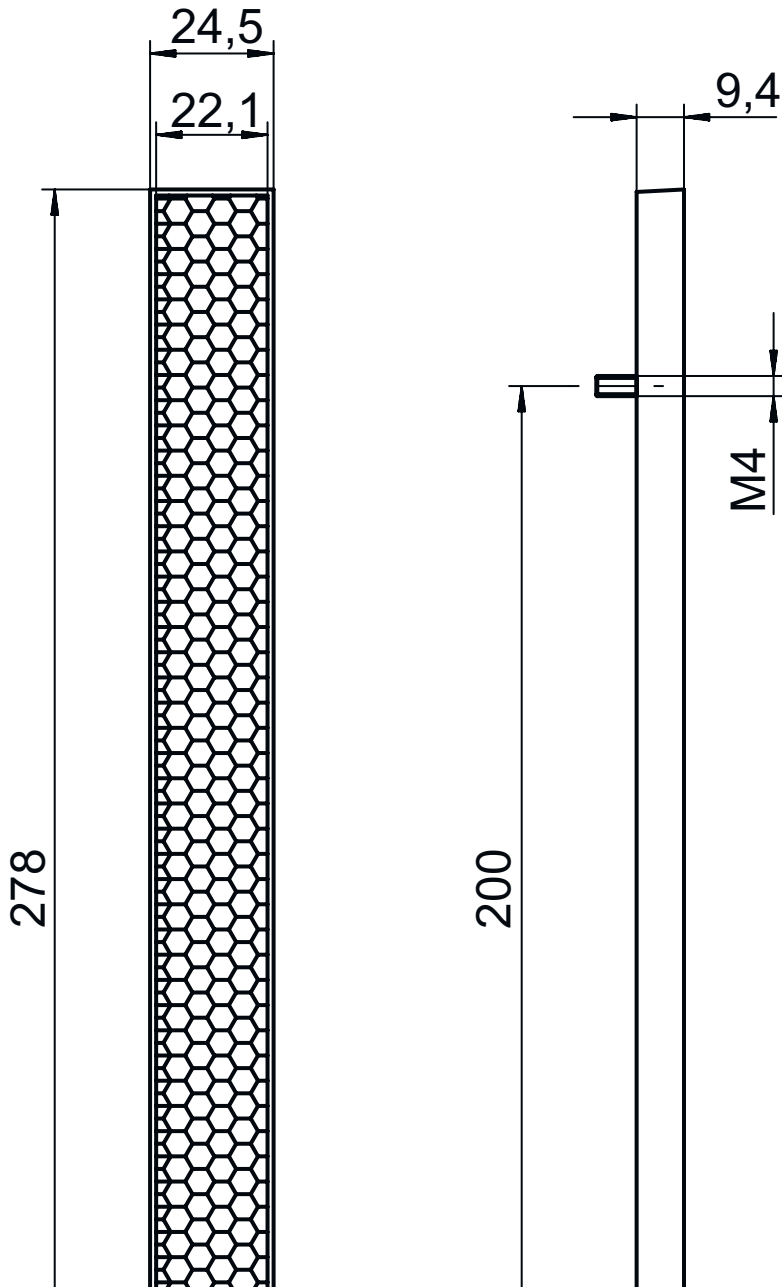
Degree of protection	IP 67
----------------------	-------

Classification

Customs tariff number	90029000
ECLASS 5.1.4	27279203
ECLASS 8.0	27279203
ECLASS 9.0	27273601
ECLASS 10.0	27273601
ECLASS 11.0	27273601
ECLASS 12.0	27273601
ECLASS 13.0	27273601
ECLASS 14.0	27273601
ECLASS 15.0	27273601
ECLASS 16.0	27273601
ETIM 5.0	EC002467
ETIM 6.0	EC002467
ETIM 7.0	EC002467
ETIM 8.0	EC002467
ETIM 9.0	EC002467
ETIM 10.0	EC002467
UNSPSC 26.08	39121551

Dimensioned drawings

All dimensions in millimeters



Notes

NOTE



↳ The reflective tape has a dividing line