

## Technical data sheet

### Glass fiber optics type diffuse reflective

Part no.: 50126484

GF-ETG-BR-605-IQ

#### Contents

- Technical data
- Dimensioned drawings
- Notes
- Further information



For illustration purposes only

## Technical data

### Basic data

Series	GF
Operating principle	Diffuse reflection principle
Area of application	General applications

### Special version

Special version	Heat resistant
-----------------	----------------

### Optical data

Opening angle	65 °
Light beam exit	On face
Fiber core	50%/50% fiber configuration
	Multiple fiber core
Fiber core material	Glass
Active fiber diameter	2.5 mm
Operating range with LV463	2 ... 180 mm
Operating range with LV463.XV	3 ... 305 mm
Operating range with LV463.XR	5 ... 450 mm
Operating range with LV463I.XR	10 ... 900 mm

### Mechanical data

Design	Cylindrical
Outer diameter	6 mm
Net weight	45 g
Head material	Aluminum
Type	Glass fiber optics (GF)
Fiber length	500 mm
Fiber sheathing material	Nickel-plated brass
Fastening of the probe	Ø 6 mm
Smallest bending radius (static)	R40
Smallest bending radius (moving)	R40
Sleeve length at optical outlet	10 mm
Metric thread on fiber optic sleeve	No
Laying	standard

### Environmental data

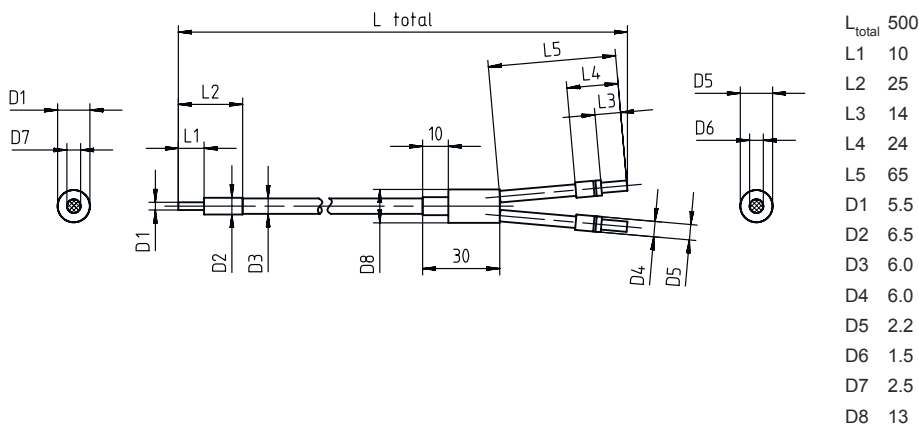
Ambient temperature, operation	-30 ... 160 °C
--------------------------------	----------------

### Classification

Customs tariff number	90011090
ECLASS 5.1.4	27270905
ECLASS 8.0	27270905
ECLASS 9.0	27270905
ECLASS 10.0	27270905
ECLASS 11.0	27273606
ECLASS 12.0	27273606
ECLASS 13.0	27273606
ECLASS 14.0	27273606
ECLASS 15.0	27273606
ECLASS 16.0	27273606
ETIM 5.0	EC002651
ETIM 6.0	EC002651
ETIM 7.0	EC002651
ETIM 8.0	EC002651
ETIM 9.0	EC002651
ETIM 10.0	EC002651
UNSPSC 26.08	41112103

## Dimensioned drawings

All dimensions in millimeters



## Notes



### Observe intended use!



- ⌘ This product is not a safety sensor and is not intended as personnel protection.
- ⌘ The product may only be put into operation by competent persons.
- ⌘ Only use the product in accordance with its intended use.

## Further information

- Suitable products for operating these fiber optics are the fiber optic amplifiers LV461, LV462B as well as LV463, LV463.XV and LV463.XR.
- Operating range measured on a white object (90% diffuse reflection) with the following settings on the fiber optic amplifier:
  - max. response time
  - max. amplification
  - min. switching threshold
- The maximum range is limited by the length of the light conductor.
- The specified operating temperatures apply to fixed fiber installations. Temperature resistance is reduced in flexible installations.