

Technical data sheet Mounting bracket set

Part no.: 560341

BT-SET-240CC

Contents

- Technical data
- Dimensioned drawings



For illustration purposes only

Technical data

Basic data

| | |
|----------------------------|--------------------------------------|
| Suitable for product group | Safety light curtains |
| Suitable for | MLD-M002, MLD-M003 deflecting mirror |

Mechanical data

| | |
|------------------------------|-----------------------|
| Net weight | 349 g |
| Type of fastening, at system | Through-hole mounting |
| Type of fastening, at device | Clampable |
| Type of mounting device | Turning, 240° |
| Mounting device material | Metal |
| Shock absorber | No |

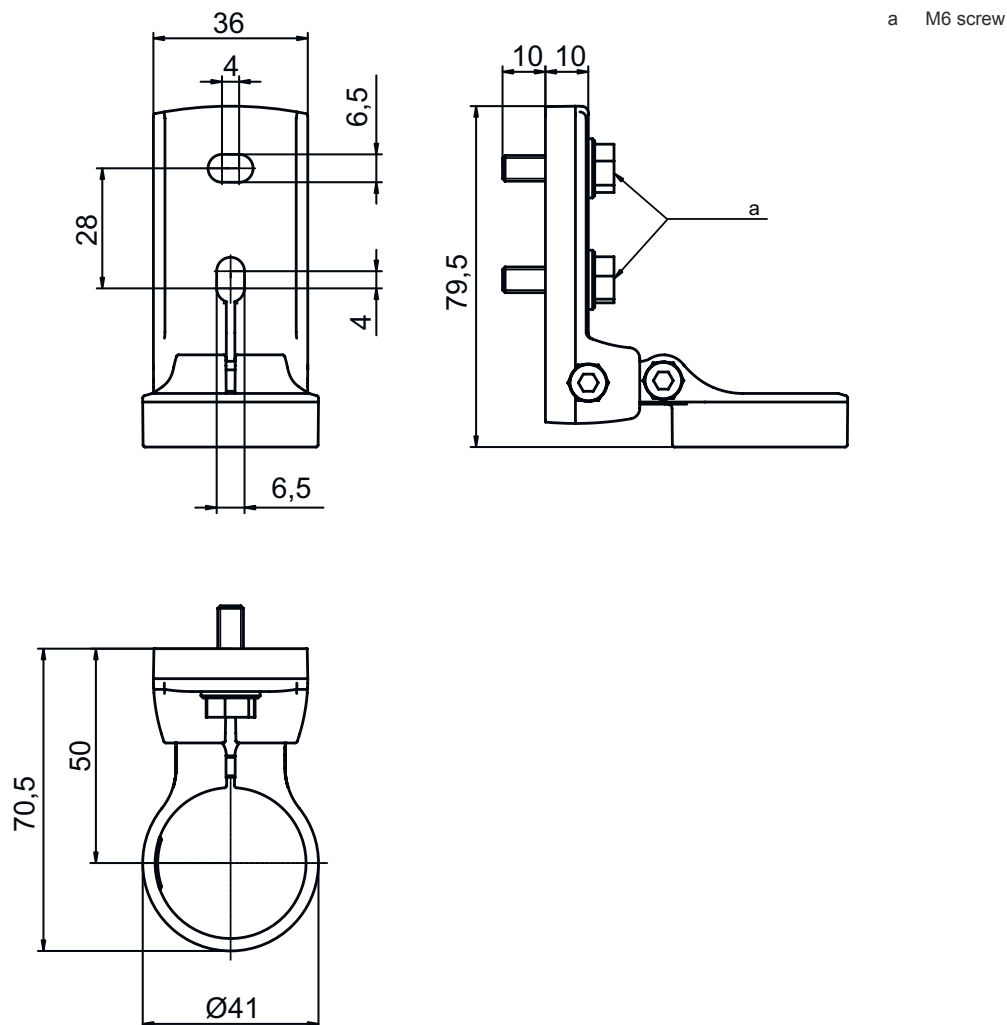
Classification

| | |
|-----------------------|----------|
| Customs tariff number | 73269098 |
| ECLASS 5.1.4 | 27279202 |
| ECLASS 8.0 | 27279202 |
| ECLASS 9.0 | 27273701 |
| ECLASS 10.0 | 27273701 |
| ECLASS 11.0 | 27273701 |
| ECLASS 12.0 | 27273701 |
| ECLASS 13.0 | 27273701 |
| ECLASS 14.0 | 27273701 |
| ECLASS 15.0 | 27273701 |
| ECLASS 16.0 | 27273701 |
| ETIM 5.0 | EC002498 |
| ETIM 6.0 | EC003015 |
| ETIM 7.0 | EC003015 |
| ETIM 8.0 | EC003015 |
| ETIM 9.0 | EC003015 |
| ETIM 10.0 | EC003015 |
| UNSPSC 26.08 | 31242100 |

Dimensioned drawings

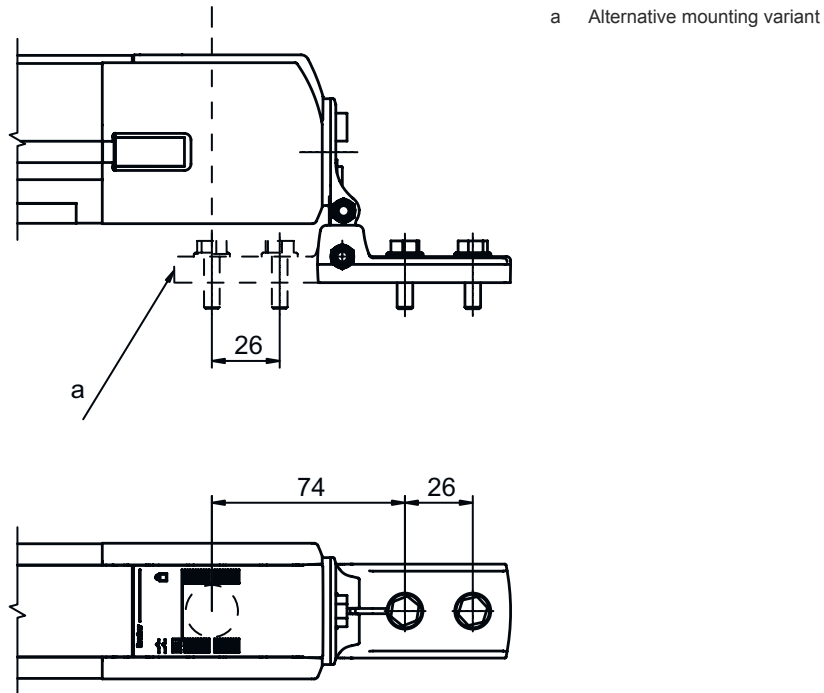
All dimensions in millimeters

BT-SET-240C swivel mount



Dimensioned drawings

Mounting dimensions



Mounting variants

