

## Technical data sheet

### Inductive switch

Part no.: 50141479

ISS 218MM/44-5E0-S12

#### Contents

- Technical data
- Dimensioned drawings
- Electrical connection
- Diagrams
- Operation and display
- Part number code
- Notes
- Accessories



For illustration purposes only



## Technical data

### Basic data

|                                   |               |
|-----------------------------------|---------------|
| Series                            | 218           |
| type. operating range limit $S_n$ | 5 mm          |
| Operating range $S_a$             | 0 ... 4.05 mm |

### Special version

|                 |            |
|-----------------|------------|
| Special version | Antivalent |
|-----------------|------------|

### Characteristic parameters

|      |           |
|------|-----------|
| MTTF | 850 years |
|------|-----------|

### Electrical data

|                    |                              |
|--------------------|------------------------------|
| Protective circuit | Polarity reversal protection |
|                    | Short circuit protected      |
|                    | Transient protection         |

### Performance data

|  |                        |
|--|------------------------|
| Supply voltage $U_B$                     | 10 ... 36 V, DC        |
| Residual ripple                          | 0 ... 10 %, From $U_B$ |
| Open-circuit current                     | 0 ... 16 mA            |
| Temperature drift, max. (in % of $S_p$ ) | 19 %                   |
| Repeatability, max. (in % of $S_p$ )     | 10 %                   |
| Switching hysteresis                     | 20 %                   |

### Outputs

|                                     |            |
|-------------------------------------|------------|
| Number of digital switching outputs | 2 Piece(s) |
|-------------------------------------|------------|

### Switching outputs

|                         |         |
|-------------------------|---------|
| Voltage type            | DC      |
| Switching current, max. | 200 mA  |
| Residual current, max.  | 0.05 mA |
| Voltage drop            | ≤ 2 V   |

### Switching output 1

|                     |                         |
|---------------------|-------------------------|
| Switching element   | Transistor, PNP         |
| Switching principle | NO contact – Antivalent |

### Switching output 2

|                     |                         |
|---------------------|-------------------------|
| Switching element   | Transistor, PNP         |
| Switching principle | NC contact – Antivalent |

### Time behavior

|                     |          |
|---------------------|----------|
| Switching frequency | 1,500 Hz |
| Readiness delay     | 50 ms    |

### Connection

|                       |            |
|-----------------------|------------|
| Number of connections | 1 Piece(s) |
|-----------------------|------------|

### Connection 1

|                    |                |
|--------------------|----------------|
| Function           | Signal OUT     |
|                    | Voltage supply |
| Type of connection | Connector      |
| Thread size        | M12            |
| Type               | Male           |
| Material           | Metal          |
| No. of pins        | 4 -pin         |
| Encoding           | A-coded        |

### Mechanical data

|                          |                                 |
|--------------------------|---------------------------------|
| Design                   | Cylindrical                     |
| Dimension (Ø x L)        | 18 mm x 54 mm                   |
| Thread size              | M18 x 1 mm                      |
| Type of installation     | Embedded/flush                  |
| Housing material         | Metal                           |
| Metal housing            | Nickel-plated brass             |
| Sensing face material    | Plastic, Polybutylene (PBT)     |
| Net weight               | 30 g                            |
| Housing color            | Gray                            |
|                          | Silver                          |
| Type of fastening        | Mounting thread                 |
| Standard measuring plate | 18 x 18 mm <sup>2</sup> , Fe360 |

### Operation and display

|                 |            |
|-----------------|------------|
| Type of display | LED        |
| Number of LEDs  | 1 Piece(s) |

### Environmental data

|                                |               |
|--------------------------------|---------------|
| Ambient temperature, operation | -25 ... 70 °C |
| Ambient temperature, storage   | -30 ... 80 °C |

### Certifications

|  |                          |
|--|--------------------------|
| Degree of protection                               | IP 67                    |
| Protection class                                   | II                       |
| Approvals  | c UL US                  |
| Test procedure for EMC in accordance with standard | EN 61000-4-2, -3, -4, -8 |

### Correction factors

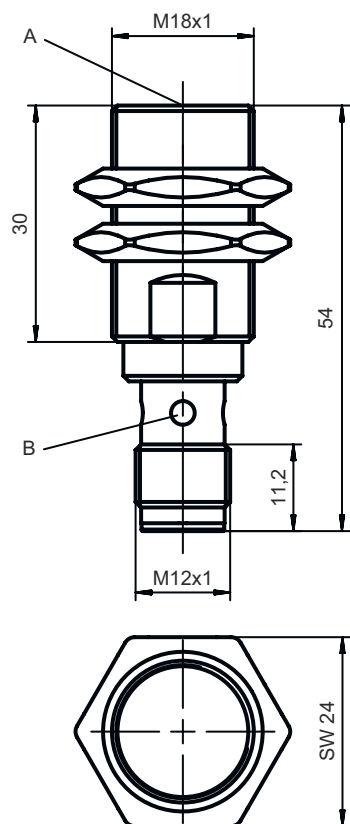
|                 |     |
|-----------------|-----|
| Aluminum        | 0.5 |
| Stainless steel | 0.7 |
| Copper          | 0.3 |
| Brass           | 0.5 |
| Fe360 steel     | 1   |

### Classification

|                       |          |
|-----------------------|----------|
| Customs tariff number | 85365080 |
| ECLASS 5.1.4          | 27270101 |
| ECLASS 8.0            | 27270101 |
| ECLASS 9.0            | 27270101 |
| ECLASS 10.0           | 27270101 |
| ECLASS 11.0           | 27270101 |
| ECLASS 12.0           | 27274001 |
| ECLASS 13.0           | 27274001 |
| ECLASS 14.0           | 27274001 |
| ECLASS 15.0           | 27274001 |
| ECLASS 16.0           | 27274001 |
| ETIM 5.0              | EC002714 |
| ETIM 6.0              | EC002714 |
| ETIM 7.0              | EC002714 |
| ETIM 8.0              | EC002714 |
| ETIM 9.0              | EC002714 |
| ETIM 10.0             | EC002714 |
| UNSPSC 26.08          | 39122230 |

# Dimensioned drawings

All dimensions in millimeters



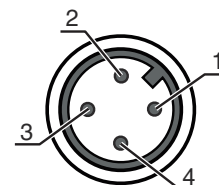
## Electrical connection

### Connection 1

|                    |                |
|--------------------|----------------|
| Function           | Signal OUT     |
|                    | Voltage supply |
| Type of connection | Connector      |
| Thread size        | M12            |
| Type               | Male           |
| Material           | Metal          |
| No. of pins        | 4 -pin         |
| Encoding           | A-coded        |

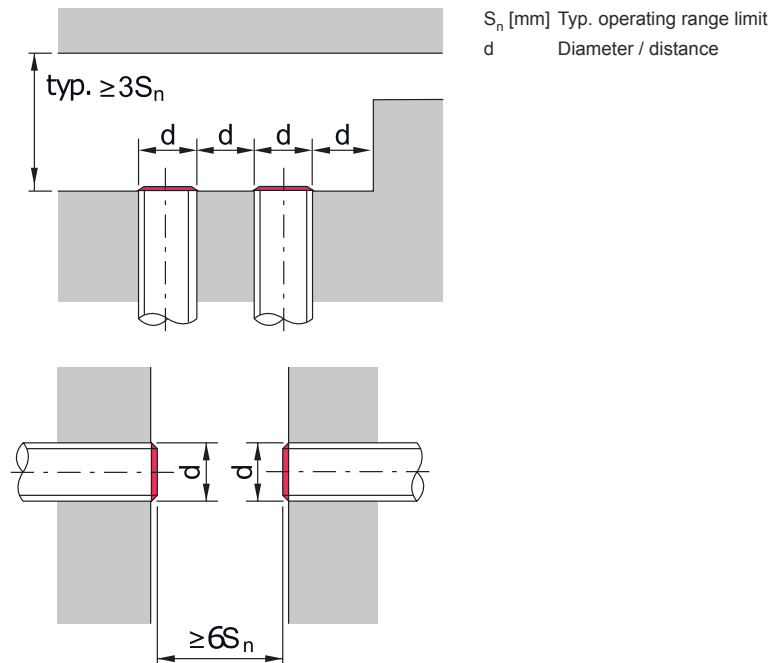
### Pin Pin assignment

|   |       |
|---|-------|
| 1 | V+    |
| 2 | OUT 2 |
| 3 | GND   |
| 4 | OUT 1 |



## Diagrams

### Embedded/flush installation



## Operation and display

| LED | Display                  | Meaning                          |
|-----|--------------------------|----------------------------------|
| 1   | Yellow, continuous light | Switching output/switching state |
|     | Yellow, flashing         | Overload - output                |

## Part number code

Part designation: ISX YYY ZZ/AAA.BB-CCC-DDD-DDD

|            |  |
|------------|--|
| <b>ISX</b> | <b>Operating principle / construction</b><br>IS: inductive switch, standard design<br>ISS: inductive switch, short construction  |
| <b>YYY</b> | <b>Series</b><br>203: series with $\varnothing$ 3 mm<br>204: series with $\varnothing$ 4 mm<br>205: series with M5 x 0.5 external thread<br>206: series with $\varnothing$ 6.5 mm<br>208: series with M8 x 1 external thread<br>212: series with M12 x 1 external thread<br>218: series with M18 x 1 external thread<br>230: series with M30 x 1.5 external thread<br>240: series in cubic design<br>244: series in cubic design<br>255: series with 5 x 5 mm <sup>2</sup> cross section<br>288: series with 8 x 8 mm <sup>2</sup> cross section |
| <b>ZZ</b>  | <b>Housing / thread</b><br>MM: metal housing (active surface: plastic) / metric thread<br>FM: Full-metal housing (active surface: stainless steel AISI 316L) / metric thread<br>MP: metal housing (active surface: plastic) / smooth (without thread)<br>.2: New version   |

## Part number code

|            |  |
|------------|--|
| <b>AAA</b> | <b>Output current / supply</b><br>4NO: PNP transistor, NO contact<br>4NC: PNP transistor, NC contact<br>2NO: NPN transistor, NO contact<br>2NC: NPN transistor, NC contact<br>1NO: relay, NO contact / AC/DC<br>1NC: Relay, NC contact / AC/DC<br>44: 2 PNP transistor switching outputs, antivalent (NO + NC)<br>22: 2 NPN transistor switching outputs, antivalent (NO + NC)<br>L: IO-Link interface<br>X: pin not used  |
| <b>BB</b>  | <b>Special equipment</b><br>n/a: no special equipment<br>5F: Food version<br>5: housing material V2A (1.4305, AISI 303)  |
| <b>CCC</b> | <b>Measurement range / type of installation</b><br>1E0: typ. range limit 1.0 mm / embedded/flush installation<br>1E5: typ. range limit 1.5 mm / embedded/flush installation<br>2E0: typ. range limit 2.0 mm / embedded/flush installation<br>3E0: typ. range limit 3.0 mm / embedded/flush installation<br>4E0: typ. range limit 4.0 mm / embedded/flush installation<br>5E0: typ. range limit 5.0 mm / embedded/flush installation<br>6E0: typ. range limit 6.0 mm / embedded/flush installation<br>8E0: typ. range limit 8.0 mm / embedded/flush installation<br>10E: typ. range limit 10.0 mm / embedded/flush installation<br>12E: typ. range limit 12.0 mm / embedded/flush installation<br>15E: typ. range limit 15.0 mm / embedded/flush installation<br>20E: typ. range limit 20.0 mm / embedded/flush installation<br>22E: typ. range limit 22.0 mm / embedded/flush installation<br>2N5: typ. range limit 2.5 mm / non-embedded/non-flush installation<br>4N0: typ. range limit 4.0 mm / non-embedded/non-flush installation<br>8N0: typ. range limit 8.0 mm / non-embedded/non-flush installation<br>10N: typ. range limit 10.0 mm / non-embedded/non-flush installation<br>12N: typ. range limit 12.0 mm / non-embedded/non-flush installation<br>14N: typ. range limit 14.0 mm / non-embedded/non-flush installation<br>15N: typ. range limit 15.0 mm / non-embedded/non-flush installation<br>20N: typ. range limit 20.0 mm / non-embedded/non-flush installation<br>22N: typ. range limit 22.0 mm / non-embedded/non-flush installation<br>25N: typ. range limit 25.0 mm / non-embedded/non-flush installation<br>40N: typ. range limit 40.0 mm / non-embedded/non-flush installation |
| <b>DDD</b> | <b>Electrical connection</b><br>n/a: cable, standard length 2000 mm<br>S12: M12 connector, 4-pin, axial<br>200-S12: cable, length 200 mm with M12 connector, 4-pin, axial<br>200-S8.3: cable, length 200 mm with M8 connector, 3-pin, axial<br>S8.3: M8 connector, 3-pin, axial<br>005-S8.3: cable, length 500 mm with M8 connector, 3-pin, axial<br>050: cable, standard length 5000 mm, 3-wire   |

| Note |  |
|------|--|
|      | ⓘ A list with all available device types can be found on the Leuze website at <a href="http://www.leuze.com">www.leuze.com</a> . |

## Notes

| ⚠ Observe intended use! |   |
|-------------------------|---|
|                         | ⓘ This product is not a safety sensor and is not intended as personnel protection.<br>ⓘ The product may only be put into operation by competent persons.<br>ⓘ Only use the product in accordance with its intended use. |

# Notes

|                             |   |
|-----------------------------|---|
| <b>For UL applications:</b> |   |
|                             | For UL applications, use is only permitted in Class 2 circuits in accordance with the NEC (National Electric Code). |

## Accessories

### Connection technology - Connection cables


|  | Part no. | Designation        | Article          | Description   |
|--|----------|--------------------|------------------|---|
|  | 50130654 | KD U-M12-4A-P1-020 | Connection cable | Application: Oil and lubricant resistant<br>Connection 1: Connector, M12, Axial, Female, A-coded, 4 -pin<br>Connector, LED: No<br>Connection 2: Open end<br>Shielded: No<br>Cable length: 2,000 mm<br>Sheathing material: PUR |
|  | 50130657 | KD U-M12-4A-P1-050 | Connection cable | Application: Oil and lubricant resistant<br>Connection 1: Connector, M12, Axial, Female, A-coded, 4 -pin<br>Connector, LED: No<br>Connection 2: Open end<br>Shielded: No<br>Cable length: 5,000 mm<br>Sheathing material: PUR |
|  | 50130648 | KD U-M12-4A-V1-020 | Connection cable | Application: Chemical resistant<br>Connection 1: Connector, M12, Axial, Female, A-coded, 4 -pin<br>Connector, LED: No<br>Connection 2: Open end<br>Shielded: No<br>Cable length: 2,000 mm<br>Sheathing material: PVC          |
|  | 50130652 | KD U-M12-4A-V1-050 | Connection cable | Application: Chemical resistant<br>Connection 1: Connector, M12, Axial, Female, A-coded, 4 -pin<br>Connector, LED: No<br>Connection 2: Open end<br>Shielded: No<br>Cable length: 5,000 mm<br>Sheathing material: PVC          |

### Mounting technology - Mounting brackets



|  | Part no. | Designation | Article          | Description  |
|--|----------|-------------|------------------|--|
|  | 50113548 | BT D18M.5   | Mounting bracket | Diameter, inner: 18 mm<br>Design of mounting device: Angle, L-shape<br>Fastening, at system: Through-hole mounting<br>Mounting bracket, at device: Screw type<br>Type of mounting device: Rigid<br>Material: Stainless steel |

## Accessories

### Mounting technology - Rod mounts

|  | Part no. | Designation  | Article         | Description  |
|--|----------|--------------|-----------------|--|
|  | 50117490 | BTU D18M-D12 | Mounting system | Design of mounting device: Mounting system<br>Fastening, at system: Through-hole mounting<br>Mounting bracket, at device: Screw type<br>Type of mounting device: Clampable, Adjustable, Turning, 360°<br>Material: Metal |

### Mounting technology - Other

|  | Part no. | Designation | Article | Description   |
|--|----------|-------------|---------|---|
|  | 50111501 | MC 018K     | Clamp   | Diameter, inner: 18 mm<br>Design of mounting device: Mounting clamp<br>Fastening, at system: Through-hole mounting<br>Mounting bracket, at device: Clampable<br>Type of mounting device: Rigid<br>Material: Plastic                 |
|  | 50111502 | MC 018K-LS  | Clamp   | Diameter, inner: 18 mm<br>Design of mounting device: Mounting clamp<br>Fastening, at system: Through-hole mounting<br>Mounting bracket, at device: Clampable with limit stop<br>Type of mounting device: Rigid<br>Material: Plastic |

#### Note



A list with all available accessories can be found on the Leuze website in the Download tab of the article detailed page.