

Technical data sheet

Transponder

Part no.: 50032396

TFI 03 1101.120

Contents

- Technical data
- Dimensioned drawings
- Notes
- Further information
- Accessories



For illustration purposes only



Technical data

Basic data

| | |
|-------------------|-----------|
| Series | TFI |
| Suitable for | RFI |
| Chip | EM4102 |
| Working frequency | 0.125 MHz |

Electrical data

Performance data

| | |
|--------------|------------|
| Memory size | 8 B |
| Memory block | 1 Piece(s) |

Certifications

| | |
|-------------------|-----------|
| Standards applied | ISO 15693 |
|-------------------|-----------|

Mechanical data

| | |
|-------------------|-----------------------|
| Design | Disc |
| Thickness | 2.1 mm |
| Outer diameter | 30 mm |
| Inner diameter | 3.2 mm |
| Housing material | Plastic |
| Plastic housing | PC |
| Net weight | 2.8 g |
| Type of fastening | Through-hole mounting |

Environmental data

| | |
|--------------------------------|---------------|
| Ambient temperature, operation | -20 ... 70 °C |
| Ambient temperature, storage | -40 ... 90 °C |

Certifications

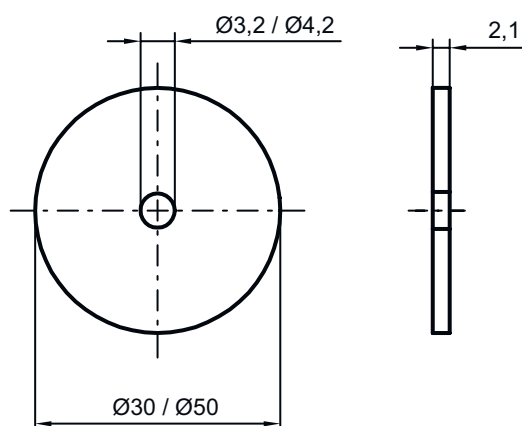
| | |
|----------------------|-------|
| Degree of protection | IP 65 |
|----------------------|-------|

Classification



| | |
|-----------------------|----------|
| Customs tariff number | 85235200 |
| ECLASS 5.1.4 | 27289200 |
| ECLASS 8.0 | 27289290 |
| ECLASS 9.0 | 27280402 |
| ECLASS 10.0 | 27280402 |
| ECLASS 11.0 | 27280402 |
| ECLASS 12.0 | 27280402 |
| ECLASS 13.0 | 27280402 |
| ECLASS 14.0 | 27280402 |
| ECLASS 15.0 | 27280402 |
| ETIM 5.0 | EC002498 |
| ETIM 6.0 | EC002996 |
| ETIM 7.0 | EC002996 |
| ETIM 8.0 | EC002996 |
| ETIM 9.0 | EC002996 |
| ETIM 10.0 | EC002996 |

Dimensioned drawings

All dimensions in millimeters



Notes


| | |
|--|---|
|  Observe intended use! | |
|  | <ul style="list-style-type: none"> ⌘ This product is not a safety sensor and is not intended as personnel protection. ⌘ The product may only be put into operation by competent persons. ⌘ Only use the product in accordance with its intended use. |

Further information

- Under certain circumstances, metal in the reading field reduces the operating range considerably.

Accessories

Mounting technology - Other

| | Part no. | Designation | Article | Description |
|---|----------|--------------|---------|---|
|  | 50107102 | Spacer 30 HT | Spacer | Design, housing: Hollow cylinder Outer diameter: 30 mm Inner diameter: 5 mm Housing material: Plastic, PA 66 |

| Note | |
|--|---|
|  | <ul style="list-style-type: none"> ⌘ A list with all available accessories can be found on the Leuze website in the Download tab of the article detailed page. |