

Technical data sheet

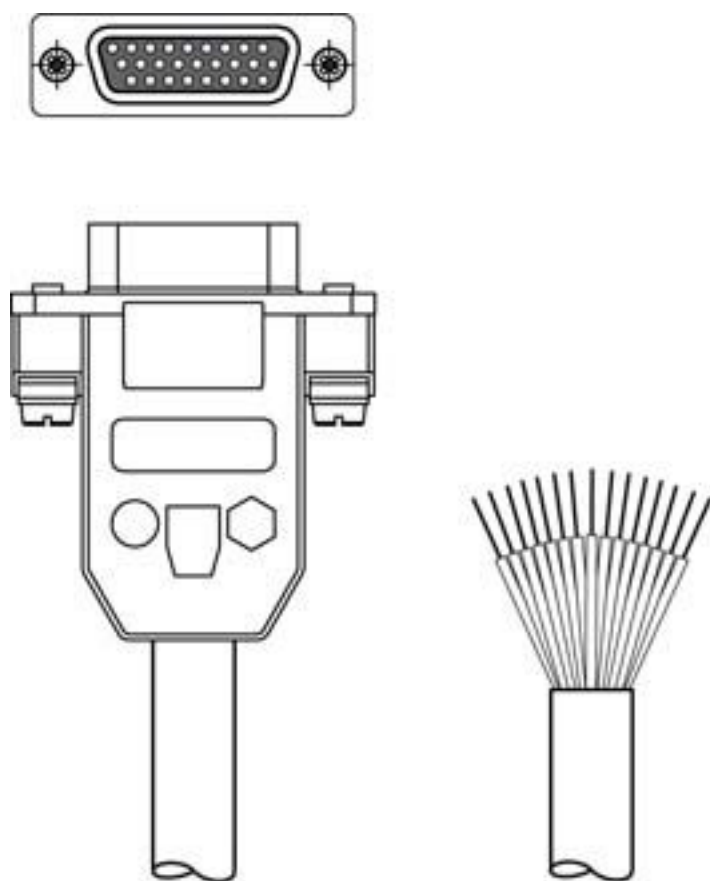
Connection cable

Part no.: 50037339

BK7 KB-140-5000-20

Contents

- Technical data
- Electrical connection



For illustration purposes only



Technical data

Basic data

Electrical data

Performance data

Operating voltage 30 V AC/DC

Connection

Connection 1

Type of connection Sub-D

Connector, LED No

Type Female

No. of pins 26 -pin

Version Axial

Connection 2

Type of connection Open end

Cable properties

Number of conductors 26 Piece(s)

Sheathing color Gray

Shielded Yes

Cable design Connection cable (open on one end)

Cable diameter (external) 8 mm

Cable length 5,000 mm

Sheathing material PVC

Suitability for drag chains No

Mechanical data

Net weight 465 g

Operation and display

Classification

Customs tariff number 85444290

ECLASS 5.1.4 27279201

ECLASS 8.0 27279218

ECLASS 9.0 27060311

ECLASS 10.0 27060311

ECLASS 11.0 27060311

ECLASS 12.0 27060311

ECLASS 13.0 27060311

ECLASS 14.0 27060311

ECLASS 15.0 27060311

ECLASS 16.0 27060311

ETIM 5.0 EC001855

ETIM 6.0 EC001855

ETIM 7.0 EC001855

ETIM 8.0 EC001855

ETIM 9.0 EC001855

ETIM 10.0 EC001855

UNSPSC 26.08 26121604

Electrical connection

Connection 1

Type of connection Sub-D

Connector, LED No

Type Female

No. of pins 26 -pin

Version Axial

Connection 2

Type of connection Open end