

Technical data sheet

Mounting bracket

Part no.: 50118542

BT 200M.5

Contents

- Technical data
- Dimensioned drawings



For illustration purposes only

Technical data

Basic data

Suitable for product group	Stationary bar code readers
Suitable for	18 series sensors
	25B series sensors
	25C series sensors
	28 series sensors
	3B series sensors
	3C series sensors
	5 series sensors
	55 series sensors
	BCL 92 series bar code readers
	BCL 95 series bar code readers
	IVS 108

Mechanical data

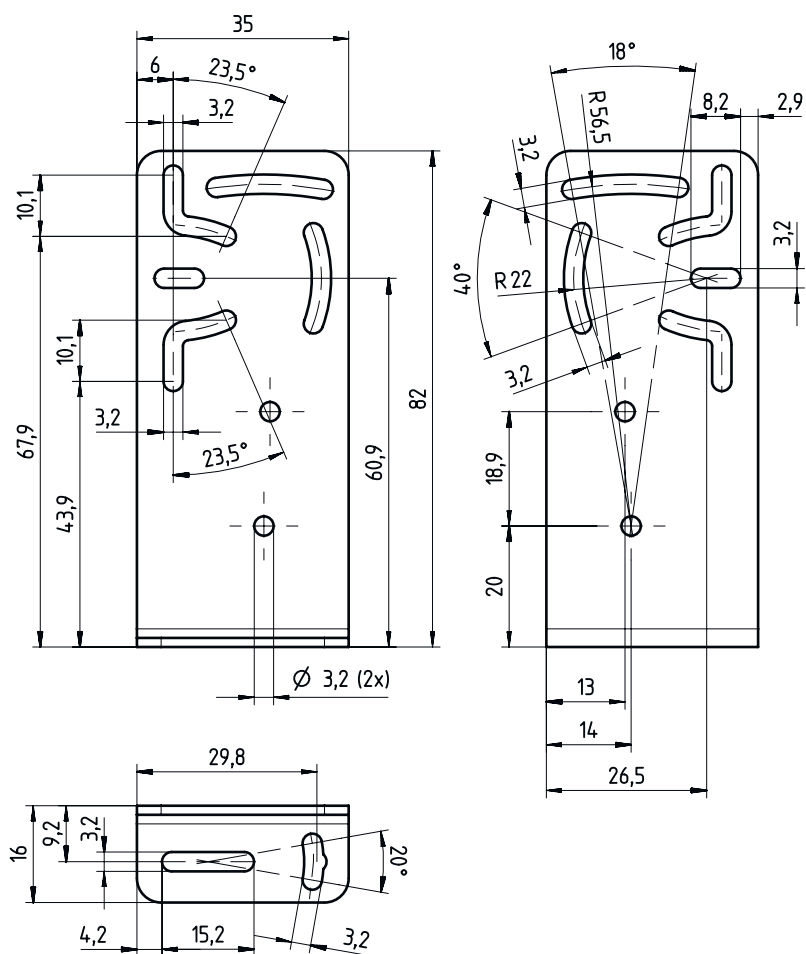
Standard designation, stainless steel mounting device	V2A
Net weight	30 g
Design of mounting device	Angle, L-shape
Type of fastening, at system	Through-hole mounting
Type of fastening, at device	Screw type
	Suited for M3 screws
Type of mounting device	Adjustable
Mounting device material	Stainless steel

Classification

Customs tariff number	73182900
ECLASS 5.1.4	27279202
ECLASS 8.0	27279202
ECLASS 9.0	27273701
ECLASS 10.0	27273701
ECLASS 11.0	27273701
ECLASS 12.0	27273701
ECLASS 13.0	27273701
ECLASS 14.0	27273701
ECLASS 15.0	27273701
ECLASS 16.0	27273701
ETIM 5.0	EC002498
ETIM 6.0	EC003015
ETIM 7.0	EC003015
ETIM 8.0	EC003015
ETIM 9.0	EC003015
ETIM 10.0	EC003015
UNSPSC 26.08	31242100

Dimensioned drawings

All dimensions in millimeters



Note



A list with all available accessories can be found on the Leuze website in the Download tab of the article detailed page.