

Technical data sheet

Illumination

Part no.: 50148126

IL AL 023/096 RD 301

Contents

- Technical data
- Dimensioned drawings
- Electrical connection
- Operation and display
- Notes
- Accessories



For illustration purposes only



Technical data

Basic data

Type	LED surface illumination
Suitable for	IVS 1000i & DCR 1000i

Functions

Functions	Integrated power control Triggered operation
-----------	---

Optical data

Light source	LED, Red
Wavelength	625 nm
Transmitted-signal shape	Pulsed
LED group	Exempt group (in acc. with EN 62471)
Opening angle, max.	30 °

Electrical data

Performance data

Supply voltage U_B	18 ... 30 V, DC
Power consumption, max.	12 W, at 24 V DC

Inputs

Number of digital switching inputs	2 Piece(s)
------------------------------------	------------

Switching inputs

Voltage type	DC
Switching voltage	Trigger high 3,3 ... 30,0 V (high) / < 2,8V (low) Trigger Polarity V+ (high) / GND (low)

Digital switching input 1

Function	Trigger
----------	---------

Digital switching input 2

Function	Trigger polarity
----------	------------------

Connection

Number of connections	1 Piece(s)
-----------------------	------------

Connection 1

Function	Trigger Trigger polarity Voltage supply
Type of connection	Cable with connector
Thread size	M12
Type	Male
Material	Metal
No. of pins	4 -pin
Encoding	A-coded

Mechanical data

Design	Cubic
Dimension (W x H x L)	40 mm x 60 mm x 113 mm
Housing material	Metal
Metal housing	Aluminium, anodized
Plastic housing	PC
Lens cover material	Plastic / PMMA, scratch-resistant coating
Net weight	470 g
Housing color	Black
Type of fastening	Groove mounting Via optional mounting device

Operation and display

Type of display	LED
Number of LEDs	1 Piece(s)

Environmental data

Ambient temperature, operation	0 ... 40 °C
Ambient temperature, storage	-20 ... 40 °C
Relative humidity (non-condensing)	90 %

Certifications

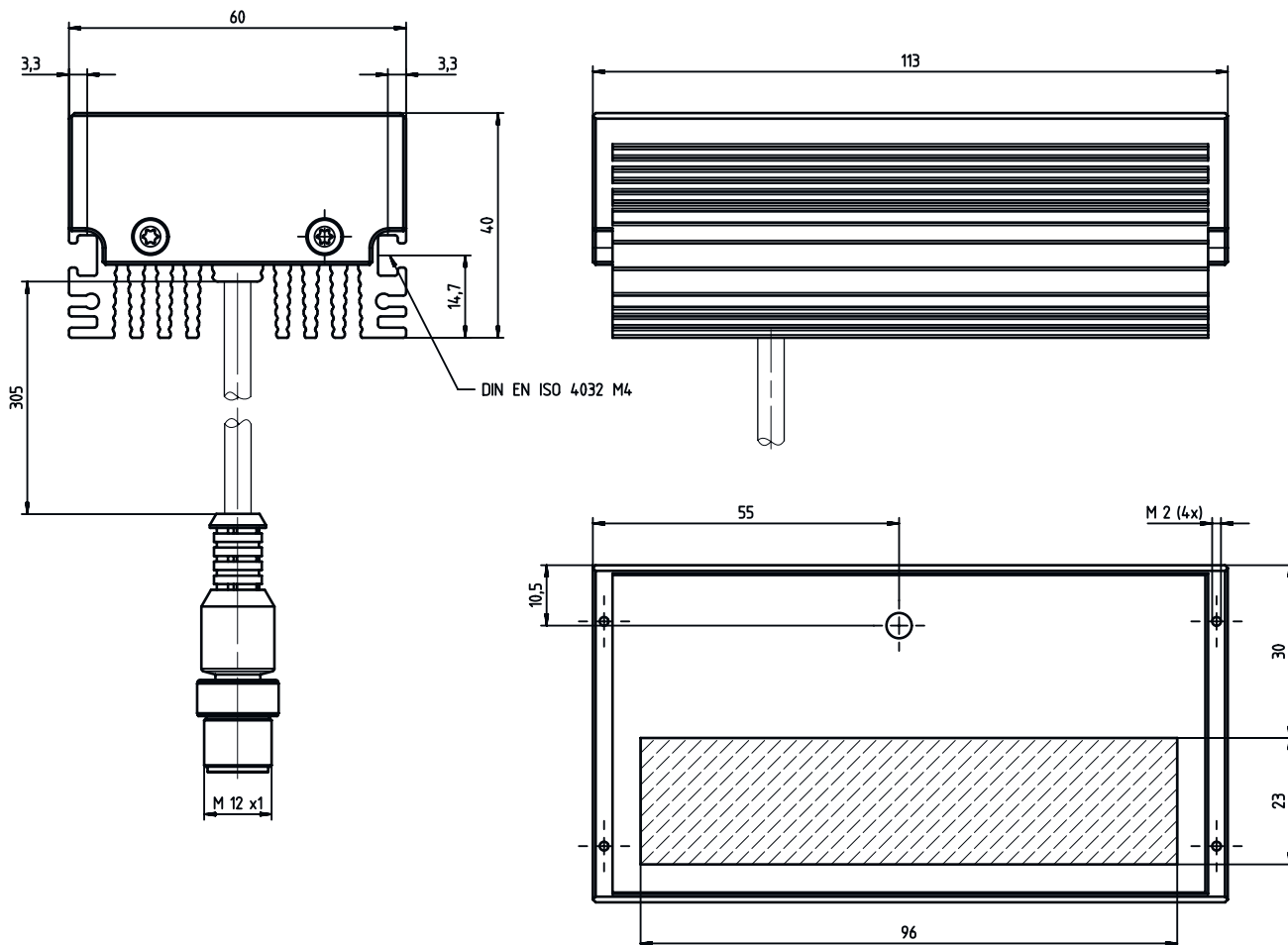
Degree of protection	IP 67
Protection class	III
Approvals	c UL US
Test procedure for continuous shock in accordance with standard	IEC 60068-2-29, test Eb
Test procedure for vibration in accordance with standard	IEC 60068-2-6, test Fc

Classification

Customs tariff number	85395100
ECLASS 5.1.4	27310204
ECLASS 8.0	27310204
ECLASS 9.0	27310204
ECLASS 10.0	27310204
ECLASS 11.0	27310204
ECLASS 12.0	27310204
ECLASS 13.0	27310204
ECLASS 14.0	27310204
ECLASS 15.0	27310204
ETIM 5.0	EC002498
ETIM 6.0	EC003015
ETIM 7.0	EC003015
ETIM 8.0	EC003015
ETIM 9.0	EC003015
ETIM 10.0	EC003015

Dimensioned drawings

All dimensions in millimeters



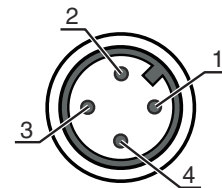
Electrical connection

Connection 1

Function	Trigger
	Trigger polarity
	Voltage supply
Type of connection	Cable with connector
Cable length	300 mm
Thread size	M12
Type	Male
Material	Metal
No. of pins	4 -pin
Encoding	A-coded

Electrical connection

Pin	Pin assignment
1	V+
2	Trigger polarity active high: V+ / active low: GND
3	GND
4	Trigger IN



Operation and display

LED	Display	Meaning
1	Green, continuous light	Ready

Notes

⚠ Observe intended use!

⚠ This product is not a safety sensor and is not intended as personnel protection.

⚠ The product may only be put into operation by competent persons.

⚠ Only use the product in accordance with its intended use.

Accessories

Connection technology - Connection cables



	Part no.	Designation	Article	Description
	50130638	KD U-M12-3A-V1-050	Connection cable	Connection 1: Connector, M12, Axial, Female, 3 -pin Connector, LED: No Connection 2: Open end Shielded: No Cable length: 5.000 mm Sheathing material: PVC
	50130679	KD U-M12-3W-V1-050	Connection cable	Connection 1: Connector, M12, Angled, Female, 3 -pin Connector, LED: No Connection 2: Open end Shielded: No Cable length: 5.000 mm Sheathing material: PVC

Mounting technology - Swivel mounts


	Part no.	Designation	Article	Description
	50148129	BTK IL BA 023	Mounting device	Fastening, at system: Screw type Mounting bracket, at device: Spherical head Material: Aluminum

Accessories

General

	Part no.	Designation	Article	Description
	50148127	AC AL 023/096 L	Protective screen	Type: Diffuser plate Suitable for: Illumination IL AL 023/096 RD 301 Dimensions: 3 mm x 60 mm x 113 mm Fastening: Screw type Material: Plastic / PMMA, scratch-resistant coating
	50148128	AC AL 023/096 P	Filter	Filter: Polarization filter Material: Plastic / PMMA, scratch-resistant coating

Note

 A list with all available accessories can be found on the Leuze website in the Download tab of the article detailed page.