

Technical data sheet Stationary 2D-code reader

Part no.: 50154107

DCR56M2/R2

Contents

- Technical data
- Dimensioned drawings
- Electrical connection
- Diagrams
- Notes



For illustration purposes only



Technical data

Basic data

Series	DCR 56
Chip	CMOS (Global Shutter)

Functions

Software functions	Reading of 1D codes
	Reading of 2D codes

Read data

Code types, readable	2/5 Hong Kong
	2/5 IATA
	2/5 Interleaved
	2/5 Straight
	Aztec
	Codabar
	Code 11
	Code 128
	Code 32
	Code 39
	Code 93
	Composite Codes
	Data Matrix Code
	DotCode
	EAN 8/13
	Grid Matrix
	GS1 Databar Expanded
	GS1 Databar RSS 14
	HanXin
	Maxicode
	Micro PDF
	Micro QR
	MSI Plessey
	PDF417
	Pharma Code
	QR code
	UPC-A
	UPC-E

Optical data

Reading distance	45 ... 400 mm
LED risk group	Target LED: Exempt group (in acc. with IEC 62471:2006) Illumination: Risk group 1 (in acc. with IEC 62471:2006)
Camera resolution, horizontal	1,280 px
Camera resolution, vertical	800 px
Reading field opening angle, horizontal	46 °
Reading field opening angle, vertical	29 °
Modulus size	0.127 ... 0.528 mm

Electrical data

Performance data

Supply voltage U_B	5 V, DC, -5 ... 5 %
Current consumption, max.	220 mA

Inputs

Number of digital switching inputs	1 Piece(s)
------------------------------------	------------

Switching inputs

Type	Digital switching input
------	-------------------------

Digital switching input 1

Function	Trigger
----------	---------

Interface

Type	RS 232
------	--------

RS 232

Function	Process
Transmission speed	9,600 ... 230,400 Bd
Data format	configurable

Connection

Number of connections	1 Piece(s)
-----------------------	------------

Connection 1

Function	Data interface
	Signal IN
	Voltage supply

Type of connection	Cable
Cable length	1,800 mm
Sheathing material	PUR
Cable color	Black
Number of conductors	6 -wire

Mechanical data

Design	Cubic
Dimension (W x H x L)	36 mm x 24 mm x 43 mm
Housing material	Aluminum
Lens cover material	Plastic
Net weight	120 g
Housing color	Red
	Silver
Type of fastening	Fastening thread M3

Operation and display

Type of display	Buzzer
	LED
Type of configuration	Software

Environmental data

Ambient temperature, operation	-10 ... 50 °C
Ambient temperature, storage	-40 ... 70 °C
Relative humidity (non-condensing)	5 ... 95 %

Certifications

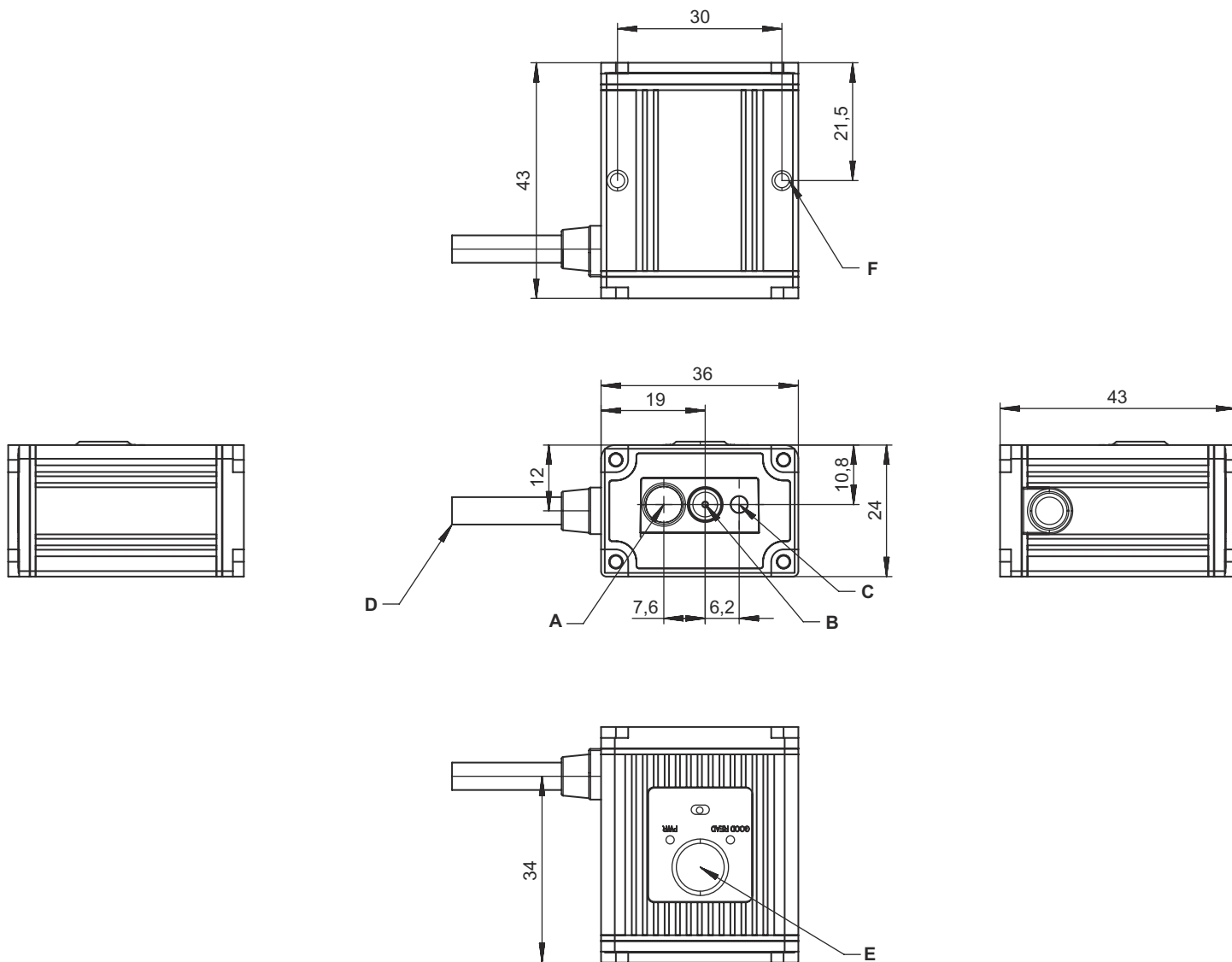
Degree of protection	IP 54
Approvals	FCC
	RoHS

Technical data

Customs tariff number	84719000
ECLASS 5.1.4	27280103
ECLASS 8.0	27280103
ECLASS 9.0	27280103
ECLASS 10.0	27280103
ECLASS 11.0	27280103
ECLASS 12.0	27280103
ECLASS 13.0	27280103
ECLASS 14.0	27280103
ECLASS 15.0	27280103
ECLASS 16.0	27280103
ETIM 5.0	EC002550
ETIM 6.0	EC002999
ETIM 7.0	EC002999
ETIM 8.0	EC002999
ETIM 9.0	EC002999
ETIM 10.0	EC002999
UNSPSC 26.08	43211701

Dimensioned drawings

All dimensions in millimeters



- A Integrated LED for illumination (white light)
- B Center of optical axis
- C 1 integrated target LED (red light)
- D Cable, 6 wires
- E Trigger button
- F M3x2 threaded hole

Electrical connection

Connection 1

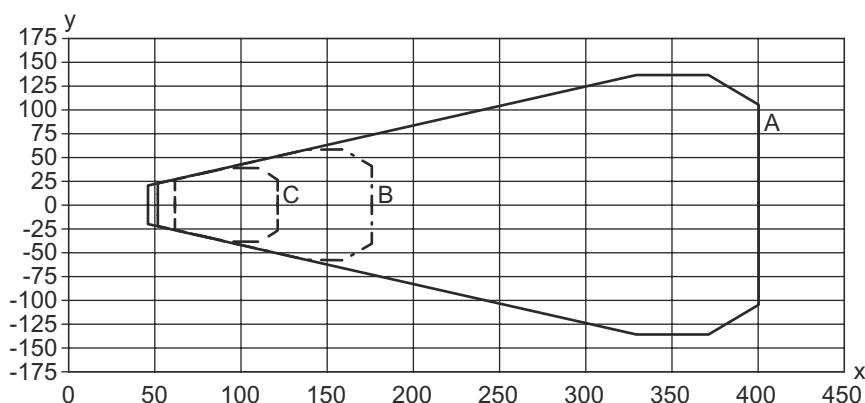
Function	Data interface
	Signal IN
	Voltage supply
Type of connection	Cable
Cable length	1,800 mm
Sheathing material	PUR
Cable color	Black
Number of conductors	6 -wire

Electrical connection

Conductor color	Conductor assignment
Red	V+
Black	GND
Green	RS 232 TxD
White	RS 232 RxD
Blue	IN 1
Orange	GND/shield

Diagrams

Reading field



- x Reading field distance [mm]
- y Reading field width [mm]
- A UPC EAN (0.33 mm/13 mil)
- B Code 39/Code 128 (0,1mm/4mil)
- C QR/Datamatrix code (0,18mm/7mil)

Notes

Observe intended use!

	<ul style="list-style-type: none"> ⌘ This product is not a safety sensor and is not intended as personnel protection. ⌘ The product may only be put into operation by competent persons. ⌘ Only use the product in accordance with its intended use.
--	---