

Technical data sheet

RFID read/write device

Part no.: 50145443
RFM 32 SL 200-M12-5A

Contents

- Technical data
- Dimensioned drawings
- Electrical connection
- Operation and display
- Notes
- Further information



For illustration purposes only



Technical data

Basic data

Series	RFM
Working frequency	13.56 MHz

Functions

Functions	Configurable operating modes
	I/O
	LED indicator
	Reading gate control

Read data

Reading/writing range, max.	110 mm
Transponder, readable	ICodeSLI
	Infinion MyD
	TagIT HFI

Electrical data

Performance data

Supply voltage U_B	12 ... 30 V, DC
Power consumption, max.	1.2 W
Memory access	Read/Write
Transmission speed	4,000 Bd

Inputs

Number of digital switching inputs	1 Piece(s)
------------------------------------	------------

Outputs

Number of digital switching outputs	1 Piece(s)
-------------------------------------	------------

Interface

Type	RS 232
RS 232	
Function	Process

Connection

Number of connections	1 Piece(s)
Connection 1	
Function	Data interface
	Signal IN
	Voltage supply
Type of connection	Cable with connector
Cable length	1,000 mm
Thread size	M12

Mechanical data

Design	Cubic
Dimension (W x H x L)	76 mm x 30 mm x 102 mm
Housing material	Plastic
Net weight	346 g
Housing color	Black
Type of fastening	Through-hole mounting

Environmental data

Ambient temperature, operation	-25 ... 65 °C
Ambient temperature, storage	-40 ... 70 °C
Relative humidity (non-condensing)	5 ... 90 %

Certifications

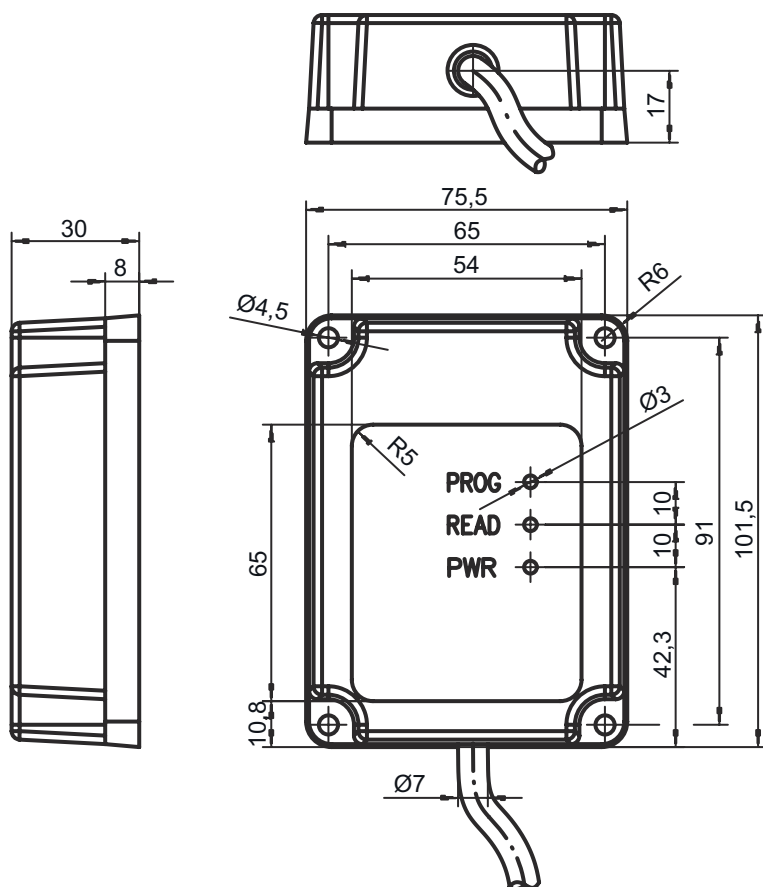
Degree of protection	IP 67
----------------------	-------

Classification

Customs tariff number	84719000
ECLASS 5.1.4	27280401
ECLASS 8.0	27280401
ECLASS 9.0	27280401
ECLASS 10.0	27280401
ECLASS 11.0	27280401
ECLASS 12.0	27280401
ECLASS 13.0	27280401
ECLASS 14.0	27280401
ECLASS 15.0	27280401
ETIM 5.0	EC001825
ETIM 6.0	EC002998
ETIM 7.0	EC002998
ETIM 8.0	EC002998
ETIM 9.0	EC002998
ETIM 10.0	EC002998

Dimensioned drawings

All dimensions in millimeters



Electrical connection

Connection 1

Function	Data interface
	Signal IN
	Voltage supply
Type of connection	Cable with connector
Cable length	1,000 mm
Number of conductors	5 -wire
Thread size	M12
Type	Male
Material	Metal
No. of pins	5 -pin
Encoding	A-coded



Pin Pin assignment

1	VCC
2	RS 232 TxD
3	GND
4	RS 232 RxD
5	SWIN 1

Operation and display

LED	Display	Meaning
1	Yellow, continuous light	Operational readiness
2	Red, continuous light	Reading gate active
3	Green, flashing	Reading successful

Notes

 Observe intended use!	
	<ul style="list-style-type: none">⌘ This product is not a safety sensor and is not intended as personnel protection.⌘ The product may only be put into operation by competent persons.⌘ Only use the product in accordance with its intended use.

Further information

- Under certain circumstances, metal in the reading field reduces the operating range considerably.