

## Technical data sheet

### Illumination

Part no.: 50148123

IL BA 012/130 RD 301 L D

#### Contents

- Technical data
- Dimensioned drawings
- Electrical connection
- Notes
- Accessories



For illustration purposes only



## Technical data

### Basic data

Type	LED bar lighting with switchable constant light
Suitable for	IVS 1000i & DCR 1000i

### Special version

Special version	Protective cover, lenticular
-----------------	------------------------------

### Functions

Functions	Continuous operation
-----------	----------------------

### Optical data

Light source	LED, Red
Wavelength	446 nm
Transmitted-signal shape	Continuous
LED group	1
Opening angle, max.	18 °

### Electrical data

<b>Performance data</b>	
Supply voltage $U_B$	24 V, DC
Power consumption, max.	6 W, at 24 V DC

### Connection

<b>Connection 1</b>	
Function	Voltage supply
Type of connection	Cable with connector
Thread size	M12
Type	Male
Material	Metal
No. of pins	3 -pin
Encoding	A-coded

### Mechanical data

Design	Cubic
Dimension (W x H x L)	23.1 mm x 18 mm x 144 mm
Housing material	Metal
Metal housing	Aluminium, anodized
Plastic housing	PC
Lens cover material	Plastic/PC
Net weight	105 g
Housing color	Black
Type of fastening	Mounting thread Via optional mounting device

### Environmental data

Ambient temperature, operation	0 ... 40 °C
Ambient temperature, storage	-20 ... 40 °C
Relative humidity (non-condensing)	90 %

### Certifications

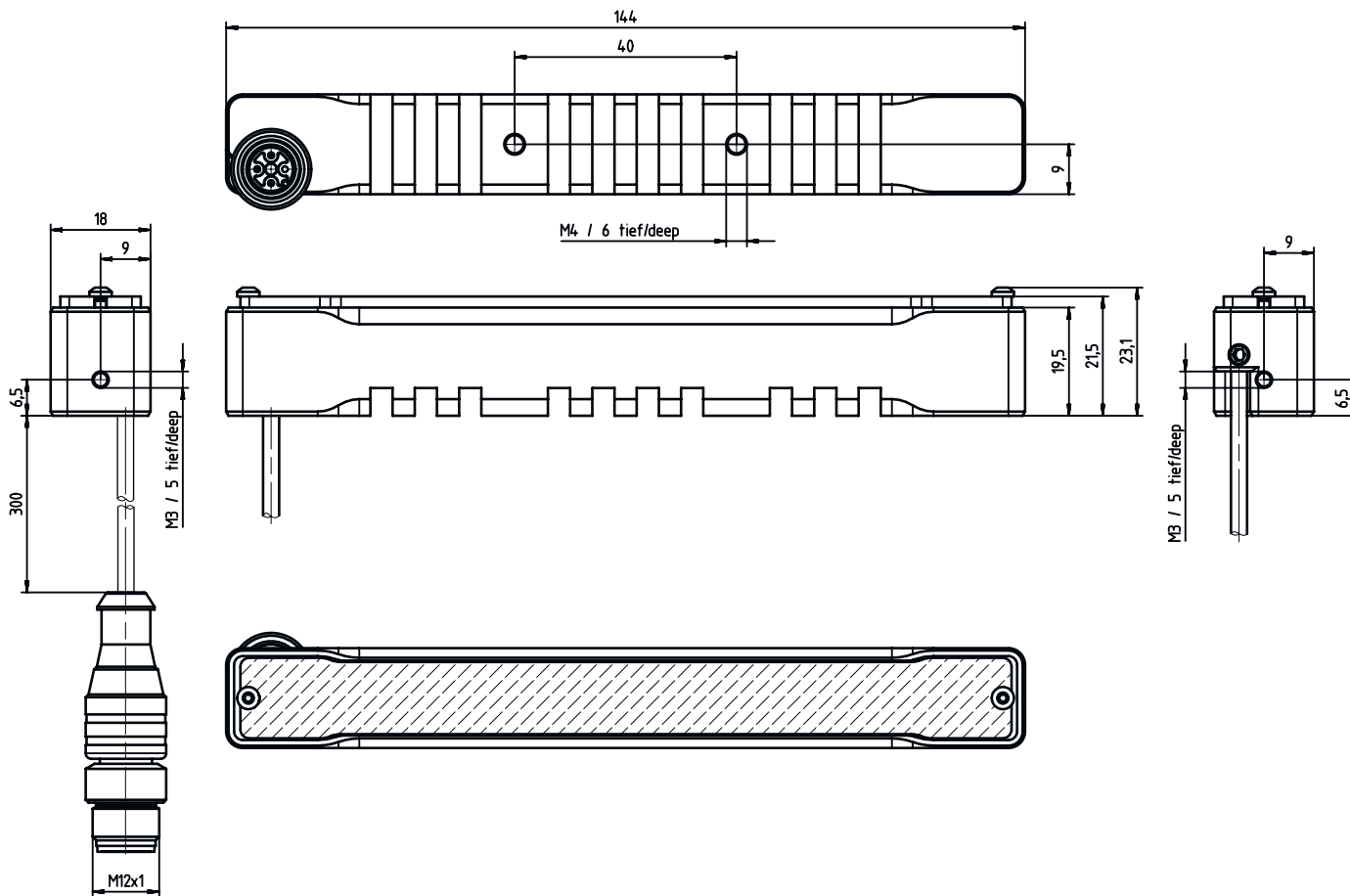
Degree of protection	IP 40
Protection class	III
Approvals	c UL US
Test procedure for continuous shock in accordance with standard	IEC 60068-2-29, test Eb
Test procedure for vibration in accordance with standard	IEC 60068-2-6, test Fc

### Classification

Customs tariff number	85395100
ECLASS 5.1.4	27310204
ECLASS 8.0	27310204
ECLASS 9.0	27310204
ECLASS 10.0	27310204
ECLASS 11.0	27310204
ECLASS 12.0	27310204
ECLASS 13.0	27310204
ECLASS 14.0	27310204
ECLASS 15.0	27310204
ETIM 5.0	EC002498
ETIM 6.0	EC003015
ETIM 7.0	EC003015
ETIM 8.0	EC003015
ETIM 9.0	EC003015
ETIM 10.0	EC003015

# Dimensioned drawings

All dimensions in millimeters



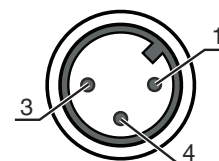
## Electrical connection

### Connection 1

Function	Voltage supply
Type of connection	Cable with connector
Cable length	300 mm
Thread size	M12
Type	Male
Material	Metal
No. of pins	3 -pin
Encoding	A-coded

### Pin Pin assignment

1	V+
3	GND
4	n.c.



## Notes

<b>Observe intended use!</b>	
	<ul style="list-style-type: none"> <li>⌘ This product is not a safety sensor and is not intended as personnel protection.</li> <li>⌘ The product may only be put into operation by competent persons.</li> <li>⌘ Only use the product in accordance with its intended use.</li> </ul>

## Accessories

### Connection technology - Connection cables

	Part no.	Designation	Article	Description
	50130638	KD U-M12-3A-V1-050	Connection cable	Connection 1: Connector, M12, Axial, Female, 3 -pin Connector, LED: No Connection 2: Open end Shielded: No Cable length: 5.000 mm Sheathing material: PVC
	50130679	KD U-M12-3W-V1-050	Connection cable	Connection 1: Connector, M12, Angled, Female, 3 -pin Connector, LED: No Connection 2: Open end Shielded: No Cable length: 5.000 mm Sheathing material: PVC

### Mounting technology - Swivel mounts

	Part no.	Designation	Article	Description
	50148125	BTK IL BA 012	Mounting device	Fastening, at system: Screw type Mounting bracket, at device: Spherical head Material: Aluminum

<b>Note</b>	
	<ul style="list-style-type: none"> <li>⌘ A list with all available accessories can be found on the Leuze website in the Download tab of the article detailed page.</li> </ul>