

## Technical data sheet

### Illumination

Part no.: 50148122

IL BA 012/065 RD 301 L D

#### Contents

- Technical data
- Dimensioned drawings
- Electrical connection
- Notes
- Accessories



For illustration purposes only



# Technical data

## Basic data

|              |   |
|--------------|---|
| Type         | LED bar lighting with switchable constant light |
| Suitable for | IVS 1000i & DCR 1000i                           |

## Special version

|                 |                              |
|-----------------|------------------------------|
| Special version | Protective cover, lenticular |
|-----------------|------------------------------|

## Functions

|           |                      |
|-----------|----------------------|
| Functions | Continuous operation |
|-----------|----------------------|

## Optical data

|                          |            |
|--------------------------|------------|
| Light source             | LED, Red   |
| Wavelength               | 634 nm     |
| Transmitted-signal shape | Continuous |
| LED group                | 1          |
| Opening angle, max.      | 18 °       |

## Electrical data

### Performance data

|                         |                   |
|-------------------------|-------------------|
| Supply voltage $U_B$    | 24 V, DC          |
| Power consumption, max. | 3.4 W, at 24 V DC |

## Connection

### Connection 1

|                    |                      |
|--------------------|----------------------|
| Function           | Voltage supply       |
| Type of connection | Cable with connector |
| Thread size        | M12                  |
| Type               | Male                 |
| Material           | Metal                |
| No. of pins        | 3 -pin               |
| Encoding           | A-coded              |

## Mechanical data

|                       |   |
|-----------------------|---|
| Design                | Cubic   |
| Dimension (W x H x L) | 23.1 mm x 18 mm x 84 mm                         |
| Housing material      | Metal   |
| Metal housing         | Aluminium, anodized                             |
| Plastic housing       | PC  |
| Lens cover material   | Plastic/PC                                      |
| Net weight            | 70 g  |
| Housing color         | Black   |
| Type of fastening     | Mounting thread<br>Via optional mounting device |

## Environmental data

|                                    |               |
|------------------------------------|---------------|
| Ambient temperature, operation     | 0 ... 40 °C   |
| Ambient temperature, storage       | -20 ... 40 °C |
| Relative humidity (non-condensing) | 90 %          |

## Certifications

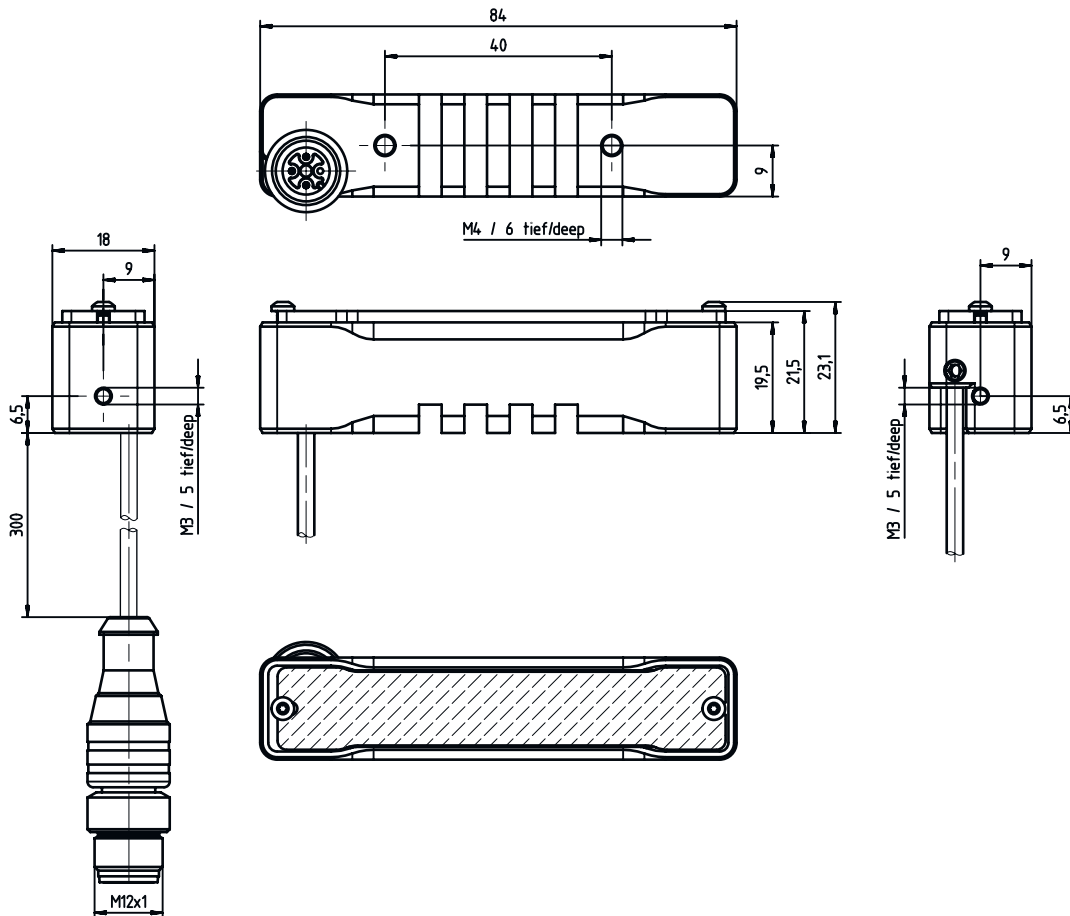
|   |                         |
|---|-------------------------|
| Degree of protection  | IP 40                   |
| Protection class  | III                     |
| Approvals   | c UL US                 |
| Test procedure for continuous shock in accordance with standard | IEC 60068-2-29, test Eb |
| Test procedure for vibration in accordance with standard        | IEC 60068-2-6, test Fc  |

## Classification

|                       |          |
|-----------------------|----------|
| Customs tariff number | 85395100 |
| ECLASS 5.1.4          | 27310204 |
| ECLASS 8.0            | 27310204 |
| ECLASS 9.0            | 27310204 |
| ECLASS 10.0           | 27310204 |
| ECLASS 11.0           | 27310204 |
| ECLASS 12.0           | 27310204 |
| ECLASS 13.0           | 27310204 |
| ECLASS 14.0           | 27310204 |
| ECLASS 15.0           | 27310204 |
| ETIM 5.0              | EC002498 |
| ETIM 6.0              | EC003015 |
| ETIM 7.0              | EC003015 |
| ETIM 8.0              | EC003015 |
| ETIM 9.0              | EC003015 |
| ETIM 10.0             | EC003015 |

# Dimensioned drawings

All dimensions in millimeters



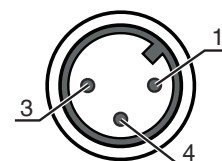
## Electrical connection

### Connection 1

|                    |                      |
|--------------------|----------------------|
| Function           | Voltage supply       |
| Type of connection | Cable with connector |
| Cable length       | 300 mm               |
| Thread size        | M12                  |
| Type               | Male                 |
| Material           | Metal                |
| No. of pins        | 3 -pin               |
| Encoding           | A-coded              |

### Pin Pin assignment

|   |      |
|---|------|
| 1 | V+   |
| 3 | GND  |
| 4 | n.c. |



# Notes

|                              |   |
|------------------------------|---|
| <b>Observe intended use!</b> |   |
|                              | <ul style="list-style-type: none"> <li>⌘ This product is not a safety sensor and is not intended as personnel protection.</li> <li>⌘ The product may only be put into operation by competent persons.</li> <li>⌘ Only use the product in accordance with its intended use.</li> </ul> |

## Accessories

### Connection technology - Connection cables

|  | Part no. | Designation        | Article          | Description   |
|--|----------|--------------------|------------------|---|
|  | 50130638 | KD U-M12-3A-V1-050 | Connection cable | Connection 1: Connector, M12, Axial, Female, 3 -pin<br>Connector, LED: No<br>Connection 2: Open end<br>Shielded: No<br>Cable length: 5.000 mm<br>Sheathing material: PVC  |
|  | 50130679 | KD U-M12-3W-V1-050 | Connection cable | Connection 1: Connector, M12, Angled, Female, 3 -pin<br>Connector, LED: No<br>Connection 2: Open end<br>Shielded: No<br>Cable length: 5.000 mm<br>Sheathing material: PVC |

### Mounting technology - Swivel mounts

|  | Part no. | Designation   | Article         | Description   |
|--|----------|---------------|-----------------|---|
|  | 50148125 | BTK IL BA 012 | Mounting device | Fastening, at system: Screw type<br>Mounting bracket, at device: Spherical head<br>Material: Aluminum |

| Note |   |
|------|---|
|      | <ul style="list-style-type: none"> <li>⌘ A list with all available accessories can be found on the Leuze website in the Download tab of the article detailed page.</li> </ul> |