

## Technical data sheet

### Glass fiber optics type diffuse reflective

Part no.: 50149673

GF-ETM-SS-402-IM

#### Contents

- Technical data
- Dimensioned drawings
- Notes
- Further information
- Accessories



For illustration purposes only

## Technical data

### Basic data

Series	GF
Operating principle	Diffuse reflection principle
Area of application	General applications

### Special version

Special version	Heat resistant
-----------------	----------------

### Optical data

Opening angle	65 °
Light beam exit	Front
Fiber core	Mixed fiber configuration Multiple fiber core
Fiber core material	Glass
Active fiber diameter	0.5 mm
Operating range with LV461	2 ... 60 mm
Operating range with LV462	2 ... 100 mm
Operating range with LV463	2 ... 180 mm
Operating range with LV463.XV	3 ... 305 mm
Operating range with LV463.XR	5 ... 450 mm
Operating range with LV463L.XR	10 ... 900 mm

### Connection

Connection, amplifier side	Ø 2.2 mm
----------------------------	----------

### Mechanical data

Design	Cylindrical
Outer diameter	4 mm
Net weight	30 g
Head material	Stainless steel
Type	Glass fiber optics (GF)
Fiber length	200 mm
Fiber sheathing material	Stainless steel
Fastening of the probe	M4
Smallest bending radius (static)	R40
Smallest bending radius (moving)	R40
Sleeve length at optical outlet	15 mm
Metric thread on fiber optic sleeve	Yes
Laying	standard
Damping at $\lambda = 900\text{nm}$	700 dB/km

### Environmental data

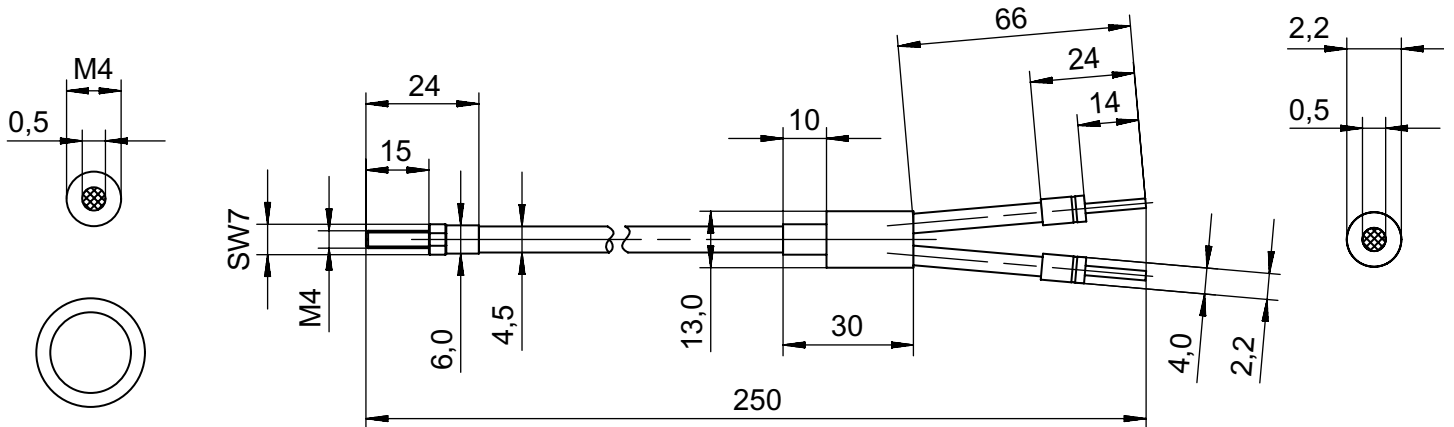
Ambient temperature, operation	-30 ... 300 °C
--------------------------------	----------------

### Classification

Customs tariff number	90011090
ECLASS 5.1.4	27270905
ECLASS 8.0	27270905
ECLASS 9.0	27270905
ECLASS 10.0	27270905
ECLASS 11.0	27273606
ECLASS 12.0	27273606
ECLASS 13.0	27273606
ECLASS 14.0	27273606
ECLASS 15.0	27273606
ECLASS 16.0	27273606
ETIM 5.0	EC002651
ETIM 6.0	EC002651
ETIM 7.0	EC002651
ETIM 8.0	EC002651
ETIM 9.0	EC002651
ETIM 10.0	EC002651
UNSPSC 26.08	41112103

# Dimensioned drawings

All dimensions in millimeters



## Notes

<b>Observe intended use!</b>	
	<ul style="list-style-type: none"> <li>⚡ This product is not a safety sensor and is not intended as personnel protection.</li> <li>⚡ The product may only be put into operation by competent persons.</li> <li>⚡ Only use the product in accordance with its intended use.</li> </ul>

## Further information

- Suitable products for operating these fiber optics are the fiber optic amplifiers LV461, LV462B as well as LV463, LV463.XV and LV463.XR.

## Accessories

### General

	Part no.	Designation	Article	Description
	50132034	GF-ADAPT-4-2.2	Adapter	Type: Adapter of LV 46x amplifier from GF glass fiber optics

<b>Note</b>	
	<p>⚡ A list with all available accessories can be found on the Leuze website in the Download tab of the article detailed page.</p>