

## Technical data sheet RFID read/write device

Part no.: 50040498

RFM 32 SL 200

### Contents

- Technical data
- Dimensioned drawings
- Electrical connection
- Operation and display
- Notes
- Further information



For illustration purposes only



## Technical data

### Basic data

|                   |           |
|-------------------|-----------|
| Series            | RFM       |
| Working frequency | 13.56 MHz |

### Functions

|           |                              |
|-----------|------------------------------|
| Functions | Configurable operating modes |
|           | I/O                          |
|           | LED indicator                |
|           | Reading gate control         |

### Read data

|                             |              |
|-----------------------------|--------------|
| Reading/writing range, max. | 110 mm       |
| Transponder, readable       | ICodeSLI     |
|                             | Infinion MyD |
|                             | TagIT HFI    |

### Electrical data

#### Performance data

|                         |                 |
|-------------------------|-----------------|
| Supply voltage $U_B$    | 12 ... 30 V, DC |
| Power consumption, max. | 1.2 W           |
| Memory access           | Read/Write      |
| Transmission speed      | 4,000 Bd        |

#### Inputs

|                                    |            |
|------------------------------------|------------|
| Number of digital switching inputs | 1 Piece(s) |
|------------------------------------|------------|

#### Outputs

|                                     |            |
|-------------------------------------|------------|
| Number of digital switching outputs | 1 Piece(s) |
|-------------------------------------|------------|

### Interface

|               |         |
|---------------|---------|
| Type          | RS 232  |
| <b>RS 232</b> |         |
| Function      | Process |

### Connection

|                       |                                     |
|-----------------------|-------------------------------------|
| Number of connections | 1 Piece(s)                          |
| <b>Connection 1</b>   |                                     |
| Function              | Data interface                      |
|                       | Signal IN                           |
|                       | Signal OUT                          |
|                       | Voltage supply                      |
| Type of connection    | Cable with socket connectors (10+6) |
| Cable length          | 1,000 mm                            |

### Mechanical data

|                       |                        |
|-----------------------|------------------------|
| Design                | Cubic                  |
| Dimension (W x H x L) | 76 mm x 30 mm x 102 mm |
| Housing material      | Plastic                |
| Net weight            | 346 g                  |
| Housing color         | Black                  |
| Type of fastening     | Through-hole mounting  |

### Environmental data

|                                    |               |
|------------------------------------|---------------|
| Ambient temperature, operation     | -25 ... 65 °C |
| Ambient temperature, storage       | -40 ... 70 °C |
| Relative humidity (non-condensing) | 5 ... 90 %    |

### Certifications

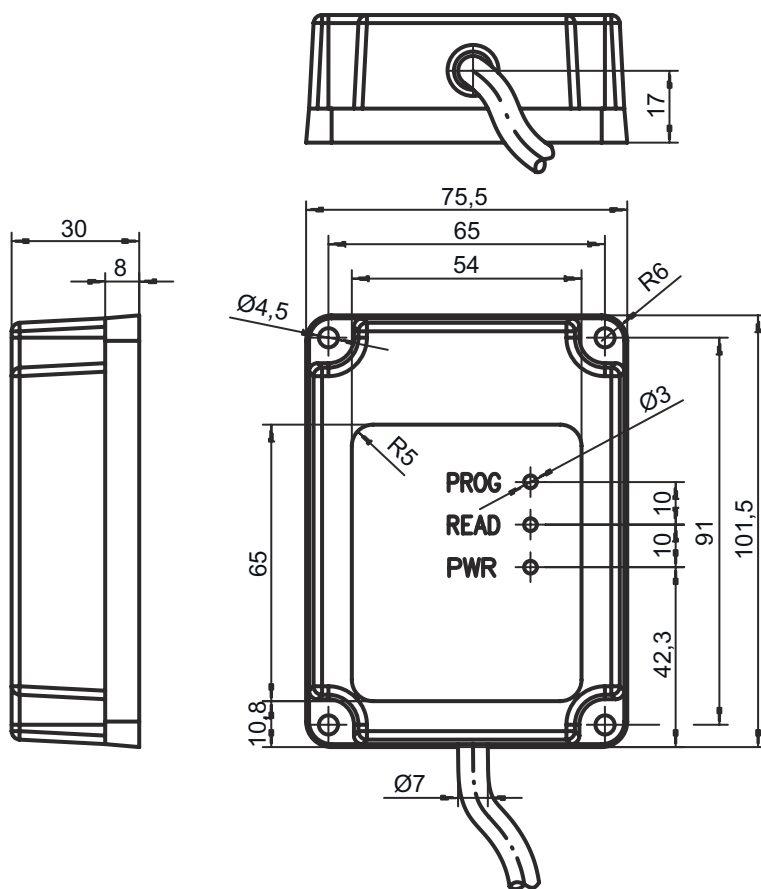
|                      |       |
|----------------------|-------|
| Degree of protection | IP 67 |
|----------------------|-------|

### Classification

|                       |          |
|-----------------------|----------|
| Customs tariff number | 84719000 |
| ECLASS 5.1.4          | 27280401 |
| ECLASS 8.0            | 27280401 |
| ECLASS 9.0            | 27280401 |
| ECLASS 10.0           | 27280401 |
| ECLASS 11.0           | 27280401 |
| ECLASS 12.0           | 27280401 |
| ECLASS 13.0           | 27280401 |
| ECLASS 14.0           | 27280401 |
| ECLASS 15.0           | 27280401 |
| ETIM 5.0              | EC001825 |
| ETIM 6.0              | EC002998 |
| ETIM 7.0              | EC002998 |
| ETIM 8.0              | EC002998 |
| ETIM 9.0              | EC002998 |
| ETIM 10.0             | EC002998 |

# Dimensioned drawings

All dimensions in millimeters



## Electrical connection

### Connection 1

|                           |                                     |
|---------------------------|-------------------------------------|
| <b>Function</b>           | Data interface                      |
|                           | Signal IN                           |
|                           | Signal OUT                          |
|                           | Voltage supply                      |
| <b>Type of connection</b> | Cable with socket connectors (10+6) |
| <b>Cable length</b>       | 1,000 mm                            |

| Pin | Pin assignment | Conductor color |
|-----|----------------|-----------------|
| 1   | n.c.           | White-brown     |
| 2   | n.c.           | White-red       |
| 3   | n.c.           | White-orange    |
| 4   | n.c.           | White-yellow    |
| 5   | n.c.           | White-green     |
| 6   | SWOUT 1        | White-black     |
| 7   | GND            | Brown           |
| 8   | n.c.           | Red             |
| 9   | n.c.           | Orange          |
| 10  | RxD            | Yellow          |



## Electrical connection

| Pin | Pin assignment | Conductor color |
|-----|----------------|-----------------|
| 11  | TxD            | Green           |
| 12  | n.c.           | Blue            |
| 13  | SWIN 1         | Violet          |
| 14  | VIN            | Gray            |
| 15  | GNDIN          | White           |
| 16  | Shield         | Shield          |

## Operation and display

| LED | Display                  | Meaning               |
|-----|--------------------------|-----------------------|
| 1   | Yellow, continuous light | Operational readiness |
| 2   | Red, continuous light    | Reading gate active   |
| 3   | Green, flashing          | Reading successful    |

## Notes

|  <b>Observe intended use!</b> |   |
|--|---|
|                                | <ul style="list-style-type: none"> <li>⌘ This product is not a safety sensor and is not intended as personnel protection.</li> <li>⌘ The product may only be put into operation by competent persons.</li> <li>⌘ Only use the product in accordance with its intended use.</li> </ul> |

## Further information

- Under certain circumstances, metal in the reading field reduces the operating range considerably.