

Technical data sheet

Y distribution box

Part no.: 50146768

YV U-SDD-84-83-83-X01

Contents

- Technical data
- Dimensioned drawings
- Electrical connection



For illustration purposes only



Technical data

Connection

Number of connections	3 Piece(s)
-----------------------	------------

Connection 1

Type of connection	Connector
Thread size	M8
Type	Female
No. of pins	3 -pin
Encoding	A-coded
Version	Axial

Connection 2

Type of connection	Connector
Thread size	M8
Type	Female
No. of pins	3 -pin
Encoding	A-coded
Version	Axial

Connection 3

Type of connection	Connector
Thread size	M8
Type	Male
No. of pins	4 -pin
Encoding	A-coded
Version	Axial

Cable properties

Shielded	No
----------	----

Mechanical data

Design	Cubic
Dimension (W x H x L)	32 mm x 14 mm x 40 mm
Width across flats	13 mm
Housing color	Black
Material	PUR

Environmental data

Ambient temperature, operation	-25 ... 85 °C
--------------------------------	---------------

Certifications

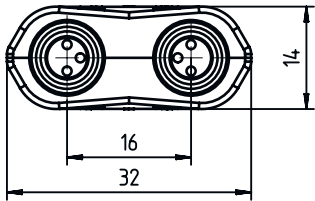
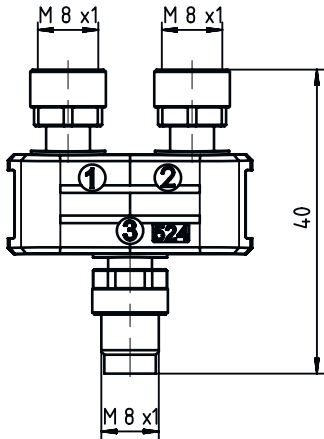
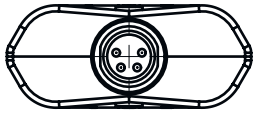
Degree of protection	IP 67
----------------------	-------

Classification

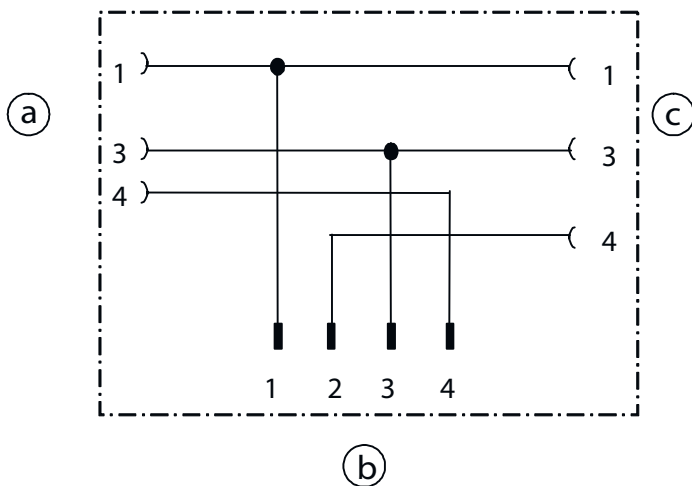
Customs tariff number	85366990
ECLASS 5.1.4	27279201
ECLASS 8.0	27440104
ECLASS 9.0	27069190
ECLASS 10.0	27440111
ECLASS 11.0	27440111
ECLASS 12.0	27440111
ECLASS 13.0	27440111
ECLASS 14.0	27440111
ETIM 5.0	EC002498
ETIM 6.0	EC002925
ETIM 7.0	EC002925
ETIM 8.0	EC003558
ETIM 9.0	EC003558

Dimensioned drawings

All dimensions in millimeters



Circuit diagram



- a Connection 1, M8 socket
- b Connection 3, M8 connector
- c Connection 2, M8 socket

Electrical connection

Connection 1

Type of connection	Connector
Thread size	M8
Type	Female
No. of pins	3 -pin
Encoding	A-coded
Version	Axial

Connection 2

Type of connection	Connector
Thread size	M8
Type	Female
No. of pins	3 -pin
Encoding	A-coded
Version	Axial

Connection 3

Type of connection	Connector
Thread size	M8
Type	Male
No. of pins	4 -pin
Encoding	A-coded
Version	Axial