

## Technical data sheet

### Deflecting mirror

Part no.: 529610

UM60-1050

#### Contents

- Technical data
- Dimensioned drawings



For illustration purposes only

## Technical data

### Basic data

|                           |                                    |
|---------------------------|------------------------------------|
| Series                    | UM                                 |
| Type, columns and mirrors | Deflecting mirror on the rear side |

### Mechanical data

|                              |  |
|------------------------------|--|
| Dimension (W x H x L)        | 25 mm x 68 mm x 1,120 mm               |
| Net weight                   | 2,020 g                                |
| Housing color                | Yellow, RAL 1021                       |
| Type of fastening            | Groove mounting<br>Swivel mount        |
| Suitable for sensor          | MLC 500, MLC 300 safety light curtains |
| Protected field height up to | 1,050 mm                               |
| Mirror length                | 1,110 mm                               |

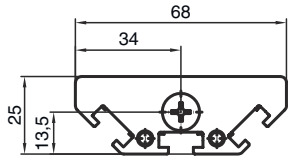
### Classification

|                       |          |
|-----------------------|----------|
| Customs tariff number | 70099200 |
| ECLASS 5.1.4          | 27279207 |
| ECLASS 8.0            | 27279207 |
| ECLASS 9.0            | 27273605 |
| ECLASS 10.0           | 27273605 |
| ECLASS 11.0           | 27273605 |
| ECLASS 12.0           | 27273605 |
| ECLASS 13.0           | 27273605 |
| ECLASS 14.0           | 27273605 |
| ECLASS 15.0           | 27273605 |
| ECLASS 16.0           | 27273605 |
| ETIM 5.0              | EC002467 |
| ETIM 6.0              | EC002467 |
| ETIM 7.0              | EC002467 |
| ETIM 8.0              | EC002467 |
| ETIM 9.0              | EC002467 |
| ETIM 10.0             | EC002467 |
| UNSPSC 26.08          | 31241706 |

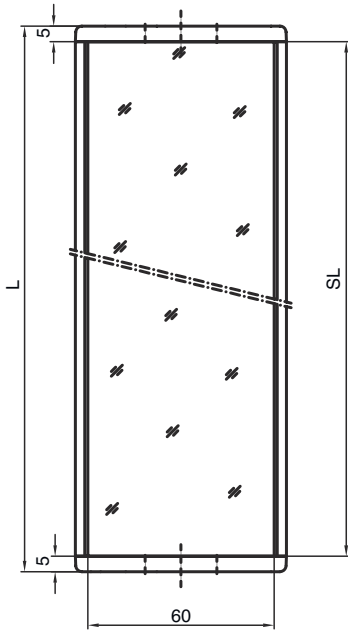
## Dimensioned drawings

All dimensions in millimeters

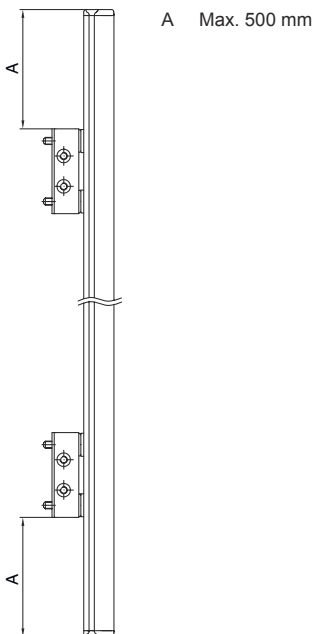
### Mirror



L Length = 1120 mm  
SL Mirror length = 1110 mm

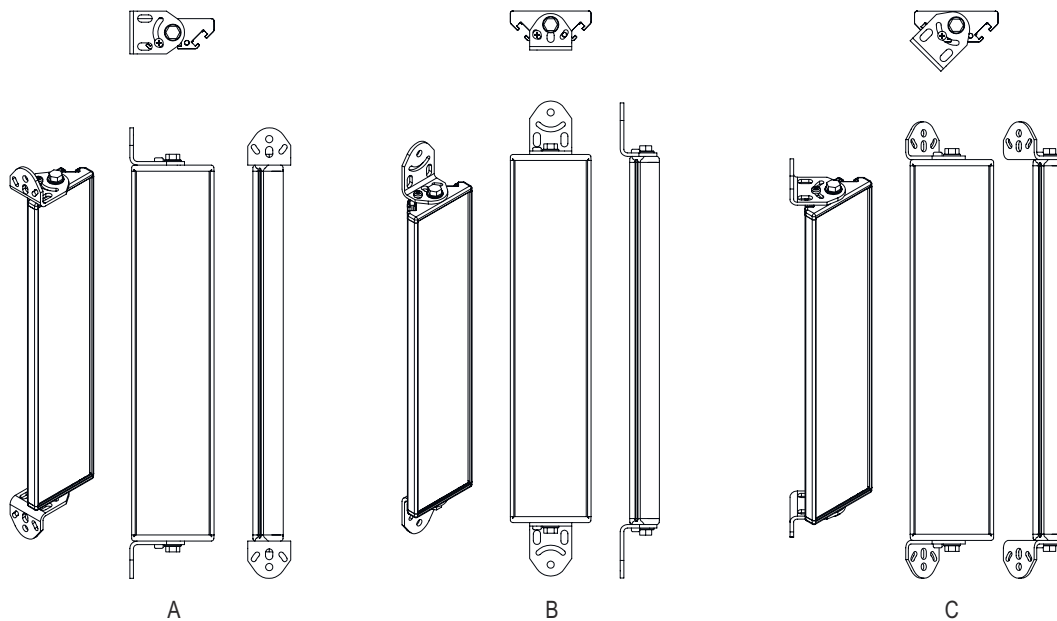


### Mounting distances



## Dimensioned drawings

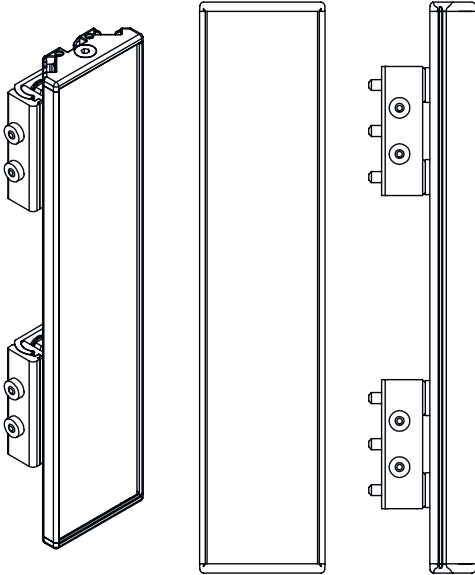
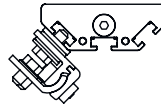
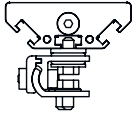
Mounting with BT-UM60 standard bracket



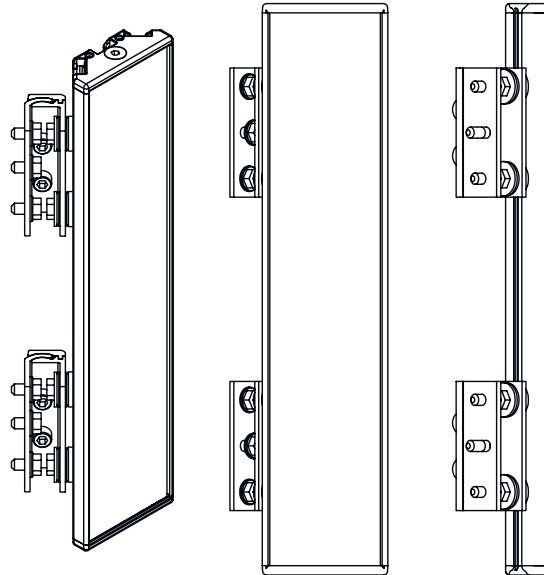
- A Lateral
- B Rear side
- C Adjustable at an angle (0 - 90°)

## Dimensioned drawings

Mounting with BT-SSD swiveling mounting bracket



A



B

- A Rear side
- B Lateral 45°