

Technical data sheet

Mounting device

Part no.: 50150758

BT-2HF-A2

Contents

- Technical data
- Dimensioned drawings



For illustration purposes only

Technical data

Basic data

Contains	1 cylinder for mounting on the light curtain
	1x M6 countersunk screw / stainless steel
	2x BT-HF swivel mount
Suitable for product group	Safety light curtains
Suitable for	MLC 500, MLC 300 safety light curtains

Mechanical data

Net weight	77 g
Type of fastening, at system	Through-hole mounting
Type of fastening, at device	Clampable
Type of mounting device	Turning, 360°
Mounting device material	Metal
	Plastic

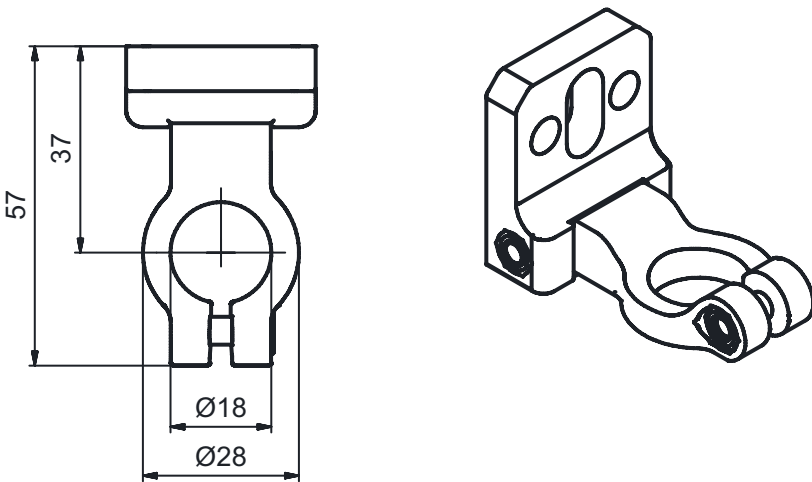
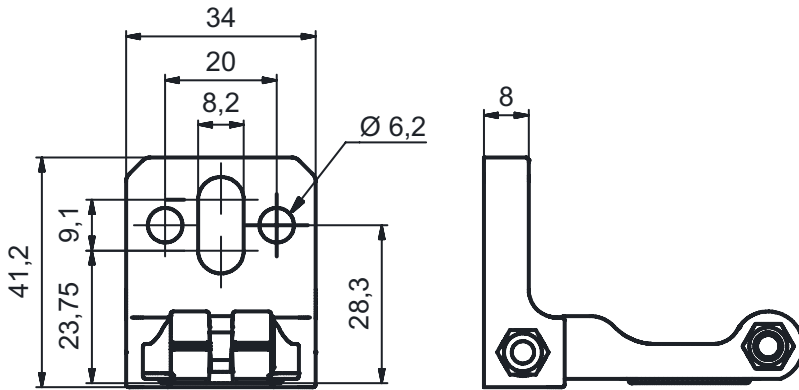
Classification

Customs tariff number	73182900
ECLASS 5.1.4	27279202
ECLASS 8.0	27279202
ECLASS 9.0	27273701
ECLASS 10.0	27273701
ECLASS 11.0	27273701
ECLASS 12.0	27273701
ECLASS 13.0	27273701
ECLASS 14.0	27273701
ECLASS 15.0	27273701
ECLASS 16.0	27273701
ETIM 5.0	EC002498
ETIM 6.0	EC003015
ETIM 7.0	EC003015
ETIM 8.0	EC003015
ETIM 9.0	EC003015
ETIM 10.0	EC003015
UNSPSC 26.08	31242100

Dimensioned drawings

All dimensions in millimeters

BT-HF swivel mount



Mounting variant

