

Technical data sheet Stationary 2D-code reader

Part no.: 50136784

DCR55M2/R2-150-M12.8

Contents

- Technical data
- Dimensioned drawings
- Electrical connection
- Diagrams
- Notes



For illustration purposes only



Technical data

Basic data

Series	DCR 55
Chip	CMOS (Rolling Shutter)

Functions

Software functions	Reading of 1D codes
	Reading of 2D codes

Read data

Code types, readable	2/5 Hong Kong
	2/5 Interleaved
	2/5 NEC
	2/5 Straight
	Australian Post
	Aztec
	BC412
	Canada Post
	Codabar
	Codablock F
	Code 11
	Code 128
	Code 32
	Code 39
	Code 49
	Code 93
	Data Matrix Code
	EAN/UPC
	GS1 Databar
	HanXin
	Intelligent Mail
	Japan Post
	KIX Code
	Korea Post
	QR code

Optical data

Reading distance	30 ... 425 mm
LED group	Exempt group (in acc. with EN 62471:2008)
Camera resolution, horizontal	1,280 px
Camera resolution, vertical	960 px
Modulus size	0.127 ... 0.528 mm

Electrical data

Performance data	
Supply voltage U_b	4.75 ... 5.25 V, DC
Current consumption, max.	425 mA
Inputs	
Number of digital switching inputs	1 Piece(s)
Switching inputs	
Type	Digital switching input
Digital switching input 1	
Function	Reading gate
Outputs	
Number of digital switching outputs	1 Piece(s)

Switching outputs

Type	Digital switching output
Voltage type	DC

Switching output 1

Switching element	Transistor, NPN
-------------------	-----------------

Interface

Type	RS 232
RS 232	
Function	Process
Transmission speed	9,600 ... 115,200 Bd
Data format	configurable

Connection

Number of connections	1 Piece(s)
Connection 1	
Function	Data interface
	Signal IN
	Signal OUT
	Voltage supply
Type of connection	Cable with connector
Cable length	150 mm
Sheathing material	PUR
Cable color	Black
Thread size	M12
Type	Male
Material	Plastic
No. of pins	8 -pin
Encoding	A-coded

Mechanical data

Design	Cubic
Dimension (W x H x L)	31.5 mm x 20 mm x 40.3 mm
Housing material	Metal
Metal housing	Diecast aluminum
Lens cover material	Plastic
Net weight	89 g
Housing color	Red
	Silver
Type of fastening	Mounting thread

Operation and display

Type of display	LED
Type of configuration	Software

Environmental data

Ambient temperature, operation	0 ... 50 °C
Ambient temperature, storage	-20 ... 60 °C
Relative humidity (non-condensing)	10 ... 90 %

Certifications

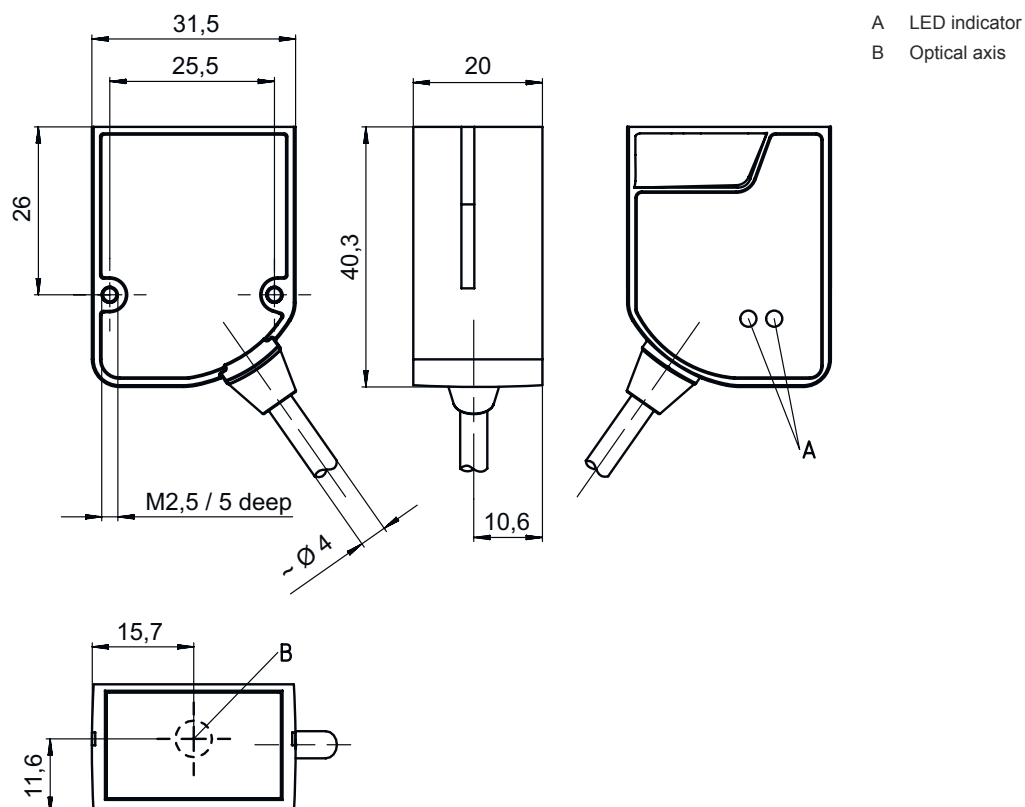
Degree of protection	IP 54
Approvals	c UL US
	FCC
	RoHS
Test procedure for EMC in accordance with standard	EN 61326-1

Technical data

Customs tariff number	84719000
ECLASS 5.1.4	27280103
ECLASS 8.0	27280103
ECLASS 9.0	27280103
ECLASS 10.0	27280103
ECLASS 11.0	27280103
ECLASS 12.0	27280103
ECLASS 13.0	27280103
ECLASS 14.0	27280103
ECLASS 15.0	27280103
ECLASS 16.0	27280103
ETIM 5.0	EC002550
ETIM 6.0	EC002999
ETIM 7.0	EC002999
ETIM 8.0	EC002999
ETIM 9.0	EC002999
ETIM 10.0	EC002999
UNSPSC 26.08	43211701

Dimensioned drawings

All dimensions in millimeters

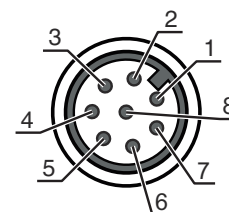


Electrical connection

Connection 1

Function	Data interface Signal IN Signal OUT Voltage supply
Type of connection	Cable with connector
Cable length	150 mm
Sheathing material	PUR
Cable color	Black
Thread size	M12
Type	Male
Material	Plastic
No. of pins	8 -pin
Encoding	A-coded

Pin	Pin assignment
1	V+
2	IN 1
3	GND
4	OUT 1
5	n.c.
6	RS 232 RxD
7	RS 232 TxD
8	FE/SHIELD



Diagrams

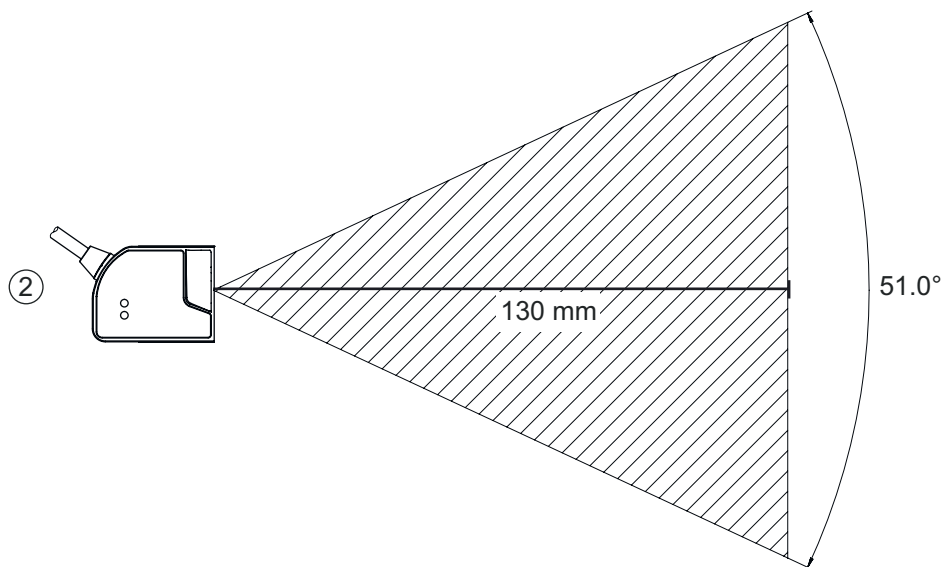
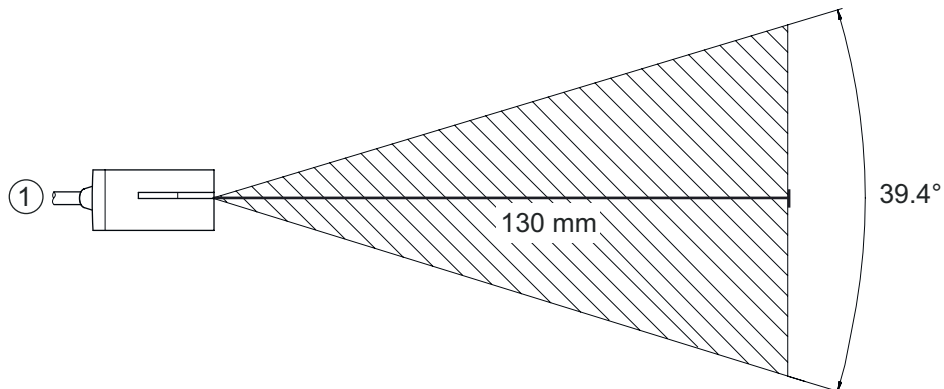
Reading distances

A	B	
Code 39 / 0,190mm (7,5mil)	50 (2,0)	245 (9,6)
GS1 Databar / 0,267mm (10,5mil)	35 (1,4)	225 (8,9)
UPC / 0,330mm (13mil)	40 (1,5)	370 (14,6)
PDF417 / 0,147mm (5,8mil)	85 (3,3)	155 (6,1)
PDF417 / 0,170mm (6,7mil)	65 (2,6)	175 (6,9)
Data Matrix / 0,127mm (5mil)	75 (3,0)	90 (3,5)
Data Matrix / 0,160mm (6,3mil)	70 (2,8)	135 (5,3)
Data Matrix / 0,254mm (10mil)	50 (2,0)	205 (8,1)
Data Matrix / 0,528mm (20,8mil)	30 (1,2)	425 (16,7)

A Code type / resolution mm
 B Reading distance [mm] ([inch])



Diagrams

Reading field



- 1 Reading field, lateral
- 2 Reading field, top view

Notes

 Observe intended use!	
	<ul style="list-style-type: none">⌘ This product is not a safety sensor and is not intended as personnel protection.⌘ The product may only be put into operation by competent persons.⌘ Only use the product in accordance with its intended use.