

## Technical data sheet

### Fieldbus gateway

Part no.: 50132994  
MSI-FB-CANOPEN

#### Contents

- Technical data
- Dimensioned drawings
- Electrical connection
- Circuit diagrams
- Notes



For illustration purposes only



## Technical data

### Basic data

Series	MSI-FB
Type	Fieldbus gateway
Application	Transfer of MSI 400 diagnostic data via CANOPEN

### Functions

Functions	Fieldbus module for the MSI 400 for connecting to CANOPEN
-----------	-----------------------------------------------------------

### Electrical data

#### Performance data

Supply voltage $U_B$	24 V, DC, -20 ... 25 %
----------------------	------------------------

#### Output circuit

### Interface

Type	CANopen
------	---------

#### CANopen

Function	Process
----------	---------

### Connection

Number of connections	1 Piece(s)
-----------------------	------------

#### Connection 1

Function	Data interface
----------	----------------

Type of connection	Terminal
--------------------	----------

Type of terminal	Screw terminal
------------------	----------------

No. of pins	5 -pin
-------------	--------

### Mechanical data

Dimension (W x H x L)	22.5 mm x 96.5 mm x 121 mm
-----------------------	----------------------------

Net weight	150 g
------------	-------

Housing color	Gray
---------------	------

Type of fastening	Snap-on mounting
-------------------	------------------

### Environmental data

Ambient temperature, operation	-25 ... 55 °C
--------------------------------	---------------

Ambient temperature, storage	-25 ... 70 °C
------------------------------	---------------

Relative humidity (non-condensing)	10 ... 95 %
------------------------------------	-------------

### Certifications

Degree of protection	IP 20
----------------------	-------

Certifications	c UL US
----------------	---------

Vibration resistance	5 ... 150 Hz
----------------------	--------------

Test procedure for oscillation in accordance with standard	EN 60068-2-6
------------------------------------------------------------	--------------

Shock resistance, single shock	30 g, 11 ms, EN 60068-2-27
--------------------------------	----------------------------

Shock resistance, continuous shock	10 g, 16 ms, EN 60068-2-29
------------------------------------	----------------------------

### Classification

Customs tariff number	85364900
-----------------------	----------

ECLASS 5.1.4	27242208
--------------	----------

ECLASS 8.0	27242208
------------	----------

ECLASS 9.0	27242208
------------	----------

ECLASS 10.0	27242208
-------------	----------

ECLASS 11.0	27242208
-------------	----------

ECLASS 12.0	27242208
-------------	----------

ECLASS 13.0	27242208
-------------	----------

ETIM 5.0	EC001423
----------	----------

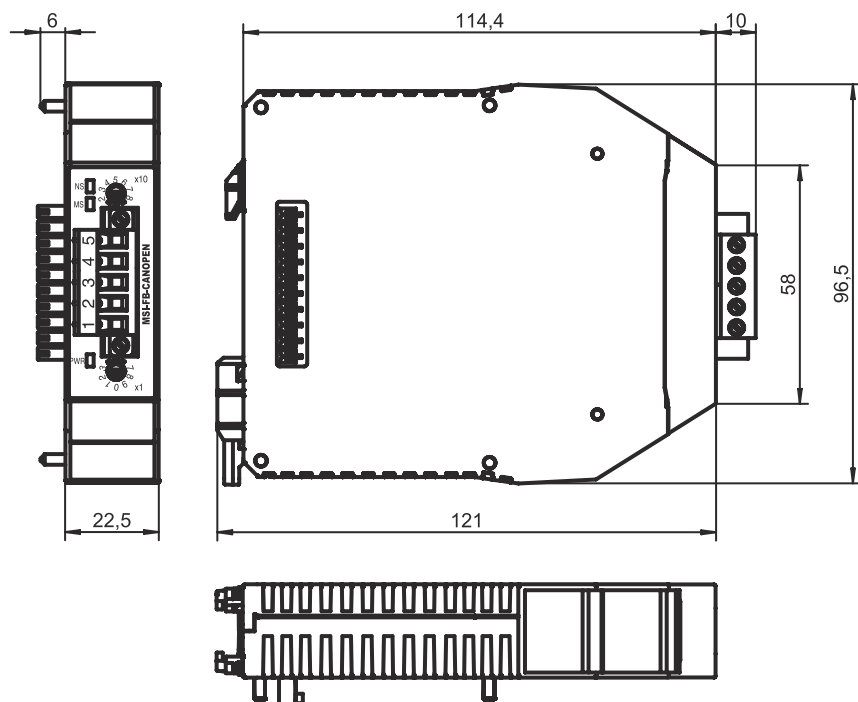
ETIM 6.0	EC001423
----------	----------

ETIM 7.0	EC001423
----------	----------

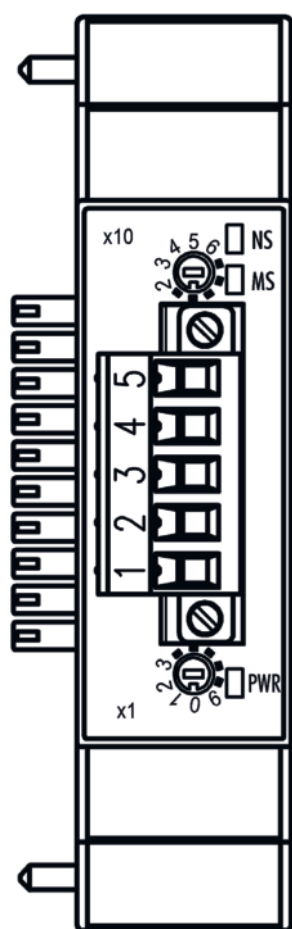
ETIM 8.0	EC001423
----------	----------

# Dimensioned drawings

All dimensions in millimeters

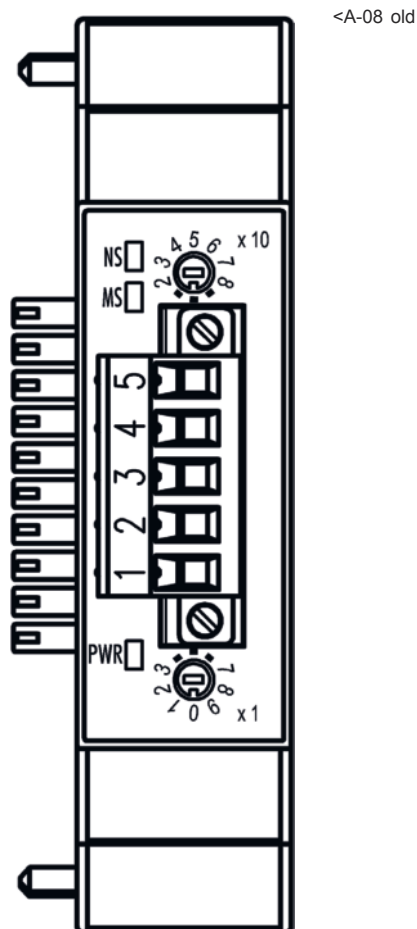


## Dimensioned drawings



≥ A-09 new

# Dimensioned drawings



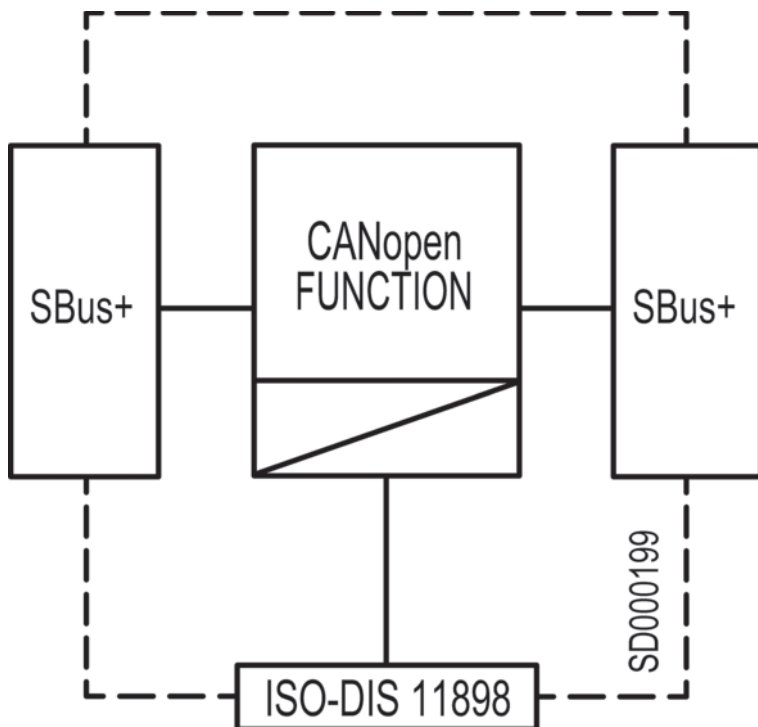
## Electrical connection

### Connection 1



Function	Data interface
Type of connection	Terminal
Type of terminal	Screw terminal
No. of pins	5 -pin

Terminal	Assignment
1	n.c.
2	CAN low
3	Shield
4	CAN high
5	n.c.

# Circuit diagrams



## Notes

 <b>Observe intended use!</b>	
	<ul style="list-style-type: none"><li>↪ The product may only be put into operation by competent persons.</li><li>↪ Only use the product in accordance with its intended use.</li></ul>