

Technical data sheet RFID read/write device

Part no.: 50040498

RFM 32 SL 200

Contents

- Technical data
- Dimensioned drawings
- Electrical connection
- Operation and display
- Notes
- Further information
- Accessories



Figure can vary



Technical data

Basic data

Series	RFM
Working frequency	13.56 MHz

Functions

Functions	Configurable operating modes
	I/O
	LED indicator
	Reading gate control

Read data

Reading/writing range, max.	110 mm
Transponder, readable	ICodeSLI
	Infineon MyD
	TagIT HFI

Electrical data

Performance data

Supply voltage U_B	12 ... 30 V, DC
Power consumption, max.	1.2 W
Memory access	Read/Write
Transmission speed	4,000 Bd

Inputs

Number of digital switching inputs	1 Piece(s)
------------------------------------	------------

Outputs

Number of digital switching outputs	1 Piece(s)
-------------------------------------	------------

Interface

Type	RS 232
RS 232	
Function	Process
Transmission speed	9,600 Bd
Data format	Fixed
Start bit	1
Data bit	8
Stop bit	1
Parity	None
Transmission protocol	<STX><data><CR><LF>

Connection

Number of connections	1 Piece(s)
Connection 1	
Function	Data interface
	Signal IN
	Signal OUT
	Voltage supply
Type of connection	Cable with socket connectors (10+6)
Cable length	1,000 mm

Mechanical data

Design	Cubic
Dimension (W x H x L)	76 mm x 30 mm x 102 mm
Housing material	Plastic
Net weight	346 g
Housing color	Black
Type of fastening	Through-hole mounting

Environmental data

Ambient temperature, operation	-25 ... 65 °C
Ambient temperature, storage	-40 ... 70 °C
Relative humidity (non-condensing)	5 ... 90 %

Certifications

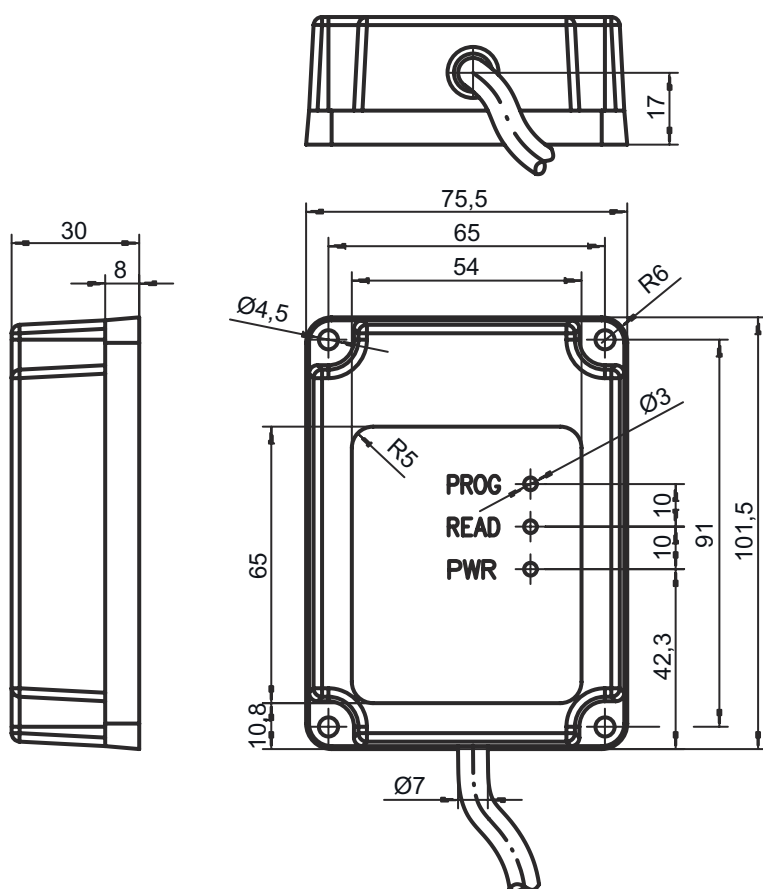
Degree of protection	IP 67
----------------------	-------

Classification

Customs tariff number	84719000
ECLASS 5.1.4	27280401
ECLASS 8.0	27280401
ECLASS 9.0	27280401
ECLASS 10.0	27280401
ECLASS 11.0	27280401
ECLASS 12.0	27280401
ECLASS 13.0	27280401
ETIM 5.0	EC001825
ETIM 6.0	EC002998
ETIM 7.0	EC002998
ETIM 8.0	EC002998

Dimensioned drawings

All dimensions in millimeters



Electrical connection

Connection 1

Function	Data interface
	Signal IN
	Signal OUT
	Voltage supply
Type of connection	Cable with socket connectors (10+6)
Cable length	1,000 mm

Pin	Pin assignment	Conductor color
1	n.c.	White-brown
2	n.c.	White-red
3	n.c.	White-orange
4	n.c.	White-yellow
5	n.c.	White-green
6	SWOUT 1	White-black
7	GND	Brown
8	n.c.	Red
9	n.c.	Orange
10	RxD	Yellow



Electrical connection

Pin	Pin assignment	Conductor color
11	TXD	Green
12	n.c.	Blue
13	SWIN 1	Violet
14	VIN	Gray
15	GNDIN	White
16	Shield	Shield

Operation and display

LED	Display	Meaning
1	Yellow, continuous light	Operational readiness
2	Red, continuous light	Reading gate active
3	Green, flashing	Reading successful

Notes


 Observe intended use!	
	<ul style="list-style-type: none"> ⌘ This product is not a safety sensor and is not intended as personnel protection. ⌘ The product may only be put into operation by competent persons. ⌘ Only use the product in accordance with its intended use.

Further information

- Under certain circumstances, metal in the reading field reduces the operating range considerably.

Accessories

Connection technology - Connection unit

	Part no.	Designation	Article	Description
	50031256	MA 2	Connection unit	Interface: RS 232, RS 485 Connections: 3 Piece(s) Degree of protection: IP 54

Note	
	<ul style="list-style-type: none"> ⌘ A list with all available accessories can be found on the Leuze website in the Download tab of the article detailed page.