

## Technical data sheet Mounting bracket set

Part no.: 429394

BT-2HF-S

### Contents

- Technical data
- Dimensioned drawings



Figure can vary

## Technical data

### Basic data

Contains	1 cylinder for mounting on the light curtain 2x BT-HF swivel mount
Suitable for product group	Safety light curtains
Suitable for	MLC 500, MLC 300 safety light curtains

### Mechanical data

Type of fastening, at system	Through-hole mounting
Type of fastening, at device	Clampable
Type of mounting device	Turning, 360°
Mounting device material	Metal Plastic
Shock absorber	Yes

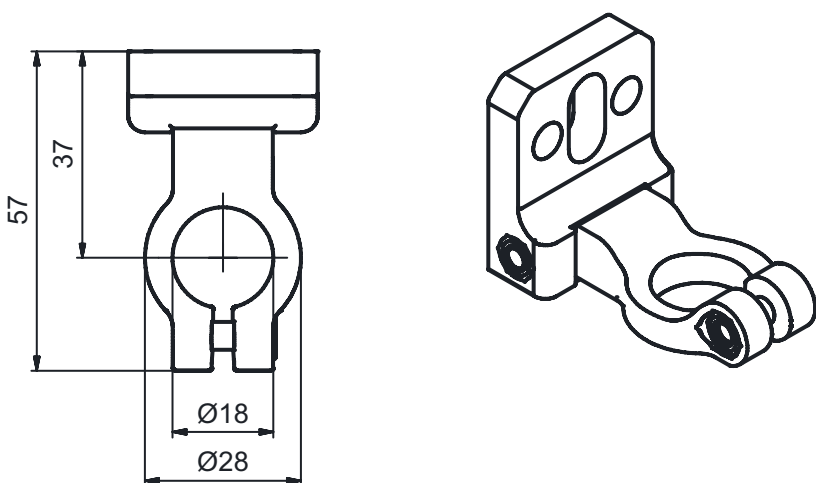
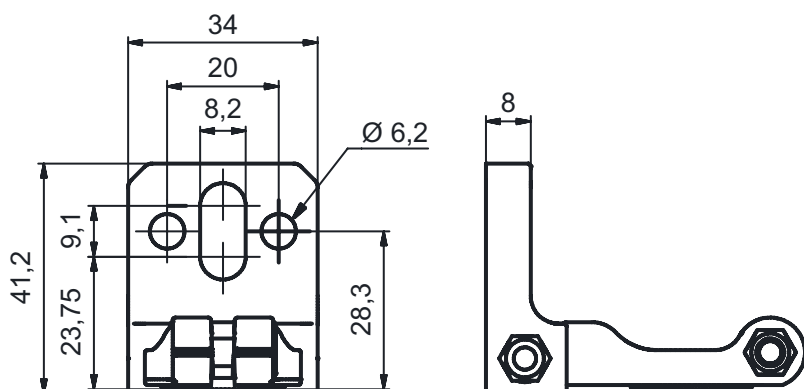
### Classification

Customs tariff number	76169990
ECLASS 5.1.4	27279202
ECLASS 8.0	27279202
ECLASS 9.0	27273701
ECLASS 10.0	27273701
ECLASS 11.0	27273701
ECLASS 12.0	27273701
ECLASS 13.0	27273701
ETIM 5.0	EC002498
ETIM 6.0	EC003015
ETIM 7.0	EC003015
ETIM 8.0	EC003015

## Dimensioned drawings

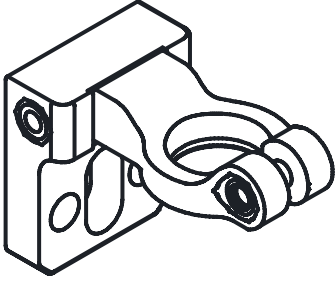
All dimensions in millimeters

### BT-HF swivel mount



## Dimensioned drawings

Mounting variant



BT-HF swivel mount with vibration damper

