

Technical data sheet

Lens

Part no.: 50148551

AC IVS 1048-Fokus

Contents

- Technical data
- Dimensioned drawings



Figure can vary

Technical data

Basic data

Type	Cover hood as adjustment tool for focus position
Suitable for	DCR 1048i IVS 1048i

Mechanical data

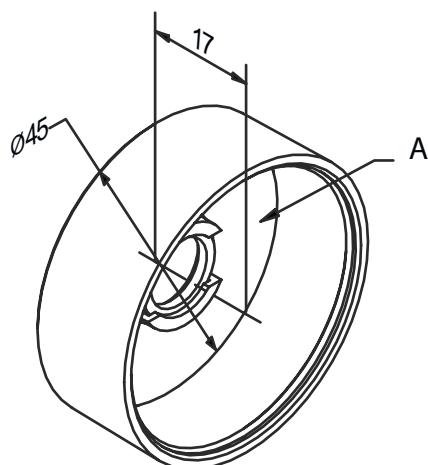
Design	Ring
Thickness	17 mm
Outer diameter	45 mm
Material	PMMA (lens cover) PVAL (optical film)

Classification

Customs tariff number	90022000
ECLASS 5.1.4	27310203
ECLASS 8.0	27310203
ECLASS 9.0	27310203
ECLASS 10.0	27273603
ECLASS 11.0	27273603
ECLASS 12.0	27273603
ECLASS 13.0	27273603
ETIM 5.0	EC002498
ETIM 6.0	EC003015
ETIM 7.0	EC003015
ETIM 8.0	EC003015

Dimensioned drawings

All dimensions in millimeters



NOTE Cover hood for easy focus adjustment and for lens change. Please remove after use and reattach the original cap.
A Diffusor film