

Technical data sheet

Rod mounting

Part no.: 50132567

BTU D12M-VKT-90

Contents

- Technical data
- Dimensioned drawings
- Accessories



Figure can vary

Technical data

Basic data

Suitable for product group	Rod mounts
	Square rods
Suitable for	12 mm rod
	Square rod 10 mm

Mechanical data

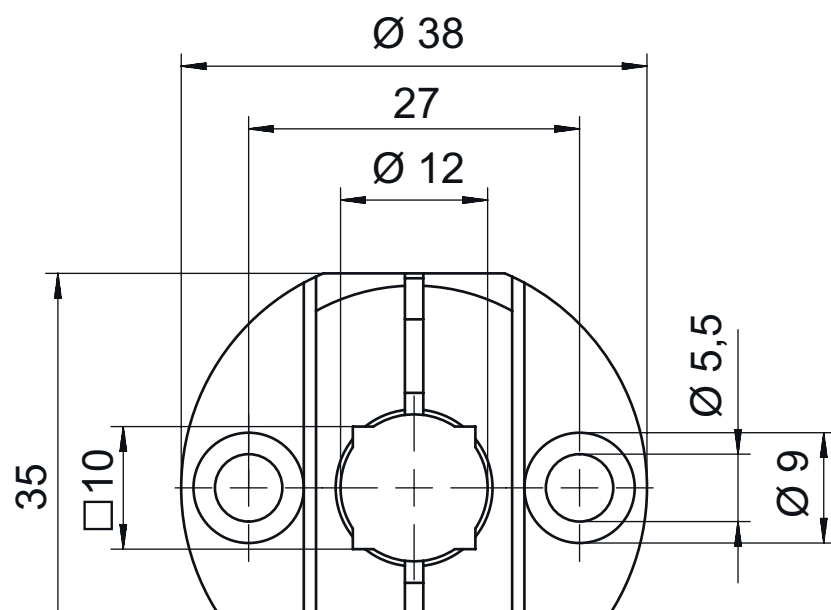
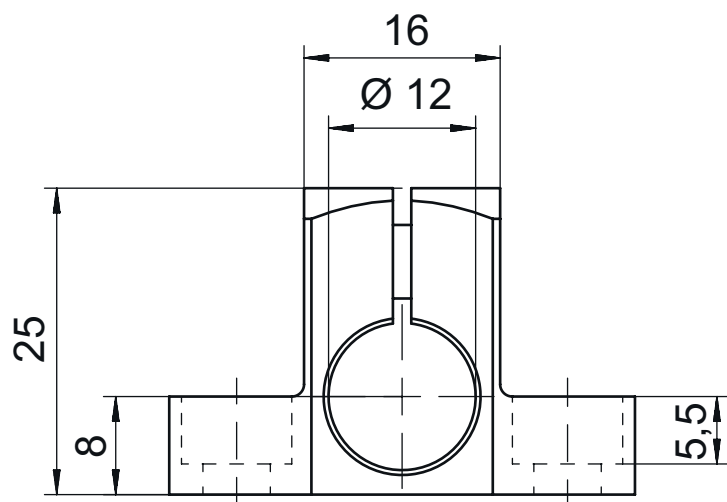
Standard designation, metal mounting device	Diecast aluminum
Design of mounting device	Mounting system
Type of fastening, at system	Bore holes 2 x Ø 5.5 mm
	Through-hole mounting
Type of fastening, at device	For 12 mm rod
	Square rod 10 mm
Type of mounting device	Clampable
	Rigid
	Turning, 360°
Mounting device material	Metal
ITEM-compatible	No

Classification

Customs tariff number	76090000
ECLASS 5.1.4	27279202
ECLASS 8.0	27279202
ECLASS 9.0	27273701
ECLASS 10.0	27273701
ECLASS 11.0	27273701
ECLASS 12.0	27273701
ETIM 5.0	EC002498
ETIM 6.0	EC003015
ETIM 7.0	EC003015
ETIM 8.0	EC003015

Dimensioned drawings

All dimensions in millimeters



Accessories

Mounting technology - Rod mounts

	Part no.	Designation	Article	Description
	50060503	BT 20-D12	Mounting device	Design of mounting device: Mounting system Fastening, at system: For 12 mm rod, Sheet-metal mounting Mounting bracket, at device: Screw type Material: Metal
	50104897	BT 450.3-96	Mounting device	Design of mounting device: Mounting system Fastening, at system: For 12 mm rod Mounting bracket, at device: Screw type Type of mounting device: Turning, 360°, Adjustable Material: Metal
	50121435	BT 56 - 1	Mounting device	Functions: Static applications Design of mounting device: Mounting system Fastening, at system: For 12 mm rod, For 14 mm rod, For 16 mm rod Mounting bracket, at device: Clampable Material: Metal Tightening torque of the clamping jaws: 8 N·m
	50117829	BTP 200M-D12	Mounting system	Design of mounting device: Protection hood Fastening, at system: For 12 mm rod Mounting bracket, at device: Screw type Type of mounting device: Clampable, Adjustable, Turning, 360° Material: Metal
	50117826	BTP 300M-D12	Mounting system	Design of mounting device: Protection hood Fastening, at system: For 12 mm rod Mounting bracket, at device: Screw type Type of mounting device: Clampable, Adjustable, Turning, 360° Material: Metal
	50117255	BTU 200M-D12	Mounting system	Design of mounting device: Mounting system Fastening, at system: For 12 mm rod, Sheet-metal mounting Mounting bracket, at device: Screw type, Suited for M3 screws Type of mounting device: Clampable, Adjustable, Turning, 360° Material: Metal
	50120426	BTU 200M.5-D12	Mounting system	Design of mounting device: Mounting system Fastening, at system: For 12 mm rod Mounting bracket, at device: Screw type, Suited for M3 screws Type of mounting device: Turning, 360°, Adjustable, Clampable Material: Stainless steel
	50120425	BTU 300M.5-D12	Mounting system	Design of mounting device: Mounting system Fastening, at system: For 12 mm rod, Sheet-metal mounting Mounting bracket, at device: Screw type, Suited for M4 screws Type of mounting device: Clampable, Adjustable, Turning, 360° Material: Stainless steel

Accessories

	Part no.	Designation	Article	Description
	50132150	BTU 320M-D12	Mounting system	Design of mounting device: Mounting system Fastening, at system: For 12 mm rod Mounting bracket, at device: Screw type Type of mounting device: Clampable, Adjustable, Turning, 360° Material: Metal
	50132453	BTU 320M-D12-RL70	Mounting system	Design of mounting device: Mounting system Fastening, at system: For 12 mm rod Mounting bracket, at device: Screw type Type of mounting device: Turning, 360°, Adjustable, Clampable Material: Metal
	50122797	BTU 346M-D12	Mounting system	Design of mounting device: Mounting system Fastening, at system: For 12 mm rod, Sheet-metal mounting Mounting bracket, at device: Screw type Type of mounting device: Turning, 360°, Adjustable, Clampable Material: Metal
	50122798	BTU 346M.5-D12	Mounting system	Design of mounting device: Mounting system Fastening, at system: For 12 mm rod, Sheet-metal mounting Mounting bracket, at device: Screw type Type of mounting device: Turning, 360°, Adjustable, Clampable Material: Stainless steel
	50129149	BTU 346M.6-D12	Mounting system	Design of mounting device: Mounting system Fastening, at system: For 12 mm rod, Sheet-metal mounting Mounting bracket, at device: Screw type Type of mounting device: Turning, 360°, Adjustable, Clampable Material: Metal, Stainless steel
	50128380	BTU 460M-D12	Mounting system	Design of mounting device: Mounting system Fastening, at system: For 12 mm rod Mounting bracket, at device: Screw type Type of mounting device: Adjustable, Turning, 360° Material: Metal
	50119331	BTU 900M-D12	Mounting system	Design of mounting device: Mounting system Fastening, at system: For 12 mm rod, Sheet-metal mounting Mounting bracket, at device: Screw type Type of mounting device: Clampable, Swiveling, Turning, 360° Material: Metal
	50120019	BTU 934M-D12-90	Reflector	Pre-mounted with: TKA 30x46 reflector Design of mounting device: Mounting system Fastening, at system: For 12 mm rod, Sheet-metal mounting Mounting bracket, at device: Pre-mounted reflector Type of mounting device: Turning, 360°, Clampable, Swiveling Material: Metal
	50119334	BTU D12M-D12-A090	Mounting system	Design of mounting device: Mounting system Fastening, at system: Through-hole mounting, For 12 mm rod, Square rod 10 mm Mounting bracket, at device: For 12 mm rod, Square rod 10 mm, Through-hole mounting Type of mounting device: Rigid Material: Metal

Accessories

	Part no.	Designation	Article	Description
	50119333	BTU D12M-D12-B090	Mounting system	Design of mounting device: Mounting system Fastening, at system: For 12 mm rod, Through-hole mounting Mounting bracket, at device: Clampable Type of mounting device: Rigid, Clampable, Turning, 360° Material: Metal
	50117490	BTU D18M-D12	Mounting system	Design of mounting device: Mounting system Fastening, at system: Through-hole mounting Mounting bracket, at device: Screw type Type of mounting device: Clampable, Adjustable, Turning, 360° Material: Metal
	50026204	UMS 96	Mounting system	Design of mounting device: Mounting system Fastening, at system: For 10 mm rod, For 12 mm rod, For 14 mm rod, For 16 mm rod Mounting bracket, at device: Clampable Type of mounting device: Turning, 360°, Adjustable Material: Metal
	50027191	UMS 96-82	Mounting system	Design of mounting device: Mounting system Fastening, at system: For 10 mm rod, For 12 mm rod, For 14 mm rod, For 16 mm rod Mounting bracket, at device: Clampable Type of mounting device: Turning, 360°, Adjustable Material: Metal
	50080334	UMS 96-95	Mounting system	Design of mounting device: Mounting system Fastening, at system: For 10 mm rod, For 12 mm rod, For 14 mm rod, For 16 mm rod Mounting bracket, at device: Clampable Type of mounting device: Turning, 360°, Adjustable Material: Metal

Note



A list with all available accessories can be found on the Leuze website in the Download tab of the article detailed page.