

Technical data sheet

Mounting bracket

Part no.: 53800135

BT856M

Contents

- Technical data
- Dimensioned drawings



For illustration purposes only

Technical data

Basic data

Application	Mounting on non-chamfered 90° corner
Suitable for	RSL 400 safety laser scanner

Mechanical data

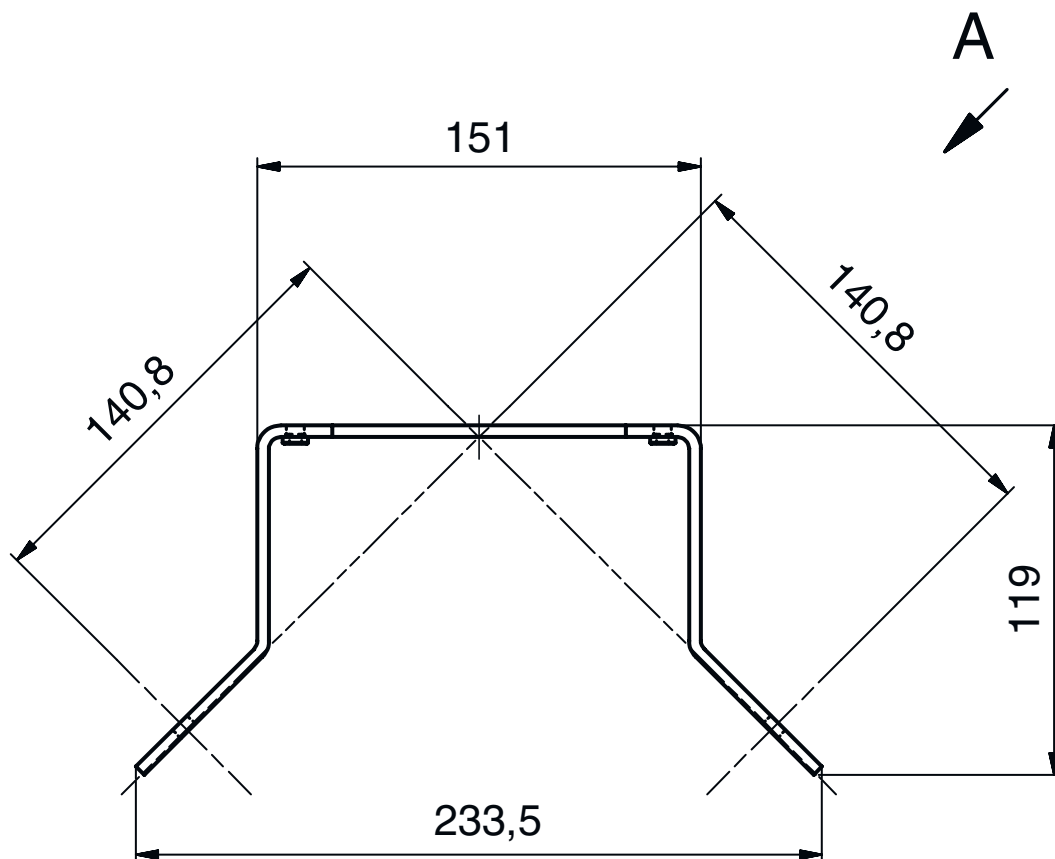
Dimension (W x H x L)	119 mm x 72 mm x 233.5 mm
Net weight	1,248 g
Housing color	Yellow, RAL 1021
Type of fastening, at system	Through-hole mounting
Type of fastening, at device	Screw type
Mounting device material	Metal

Classification

Customs tariff number	73182900
ECLASS 5.1.4	27279202
ECLASS 8.0	27279202
ECLASS 9.0	27273701
ECLASS 10.0	27273701
ECLASS 11.0	27273701
ECLASS 12.0	27273701
ECLASS 13.0	27273701
ECLASS 14.0	27273701
ECLASS 15.0	27273701
ETIM 5.0	EC002498
ETIM 6.0	EC003015
ETIM 7.0	EC003015
ETIM 8.0	EC003015
ETIM 9.0	EC003015
ETIM 10.0	EC003015

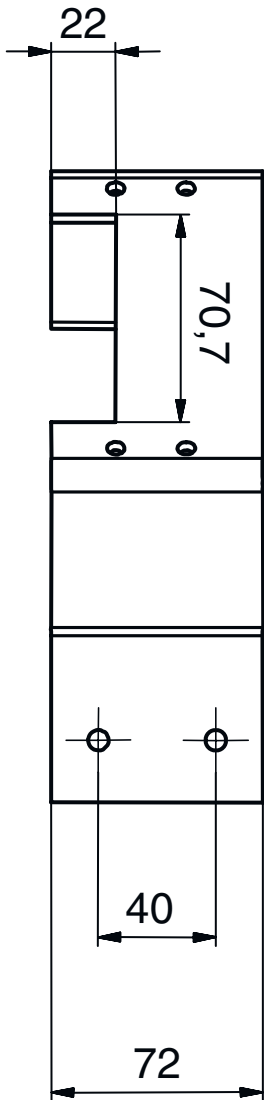
Dimensioned drawings

All dimensions in millimeters



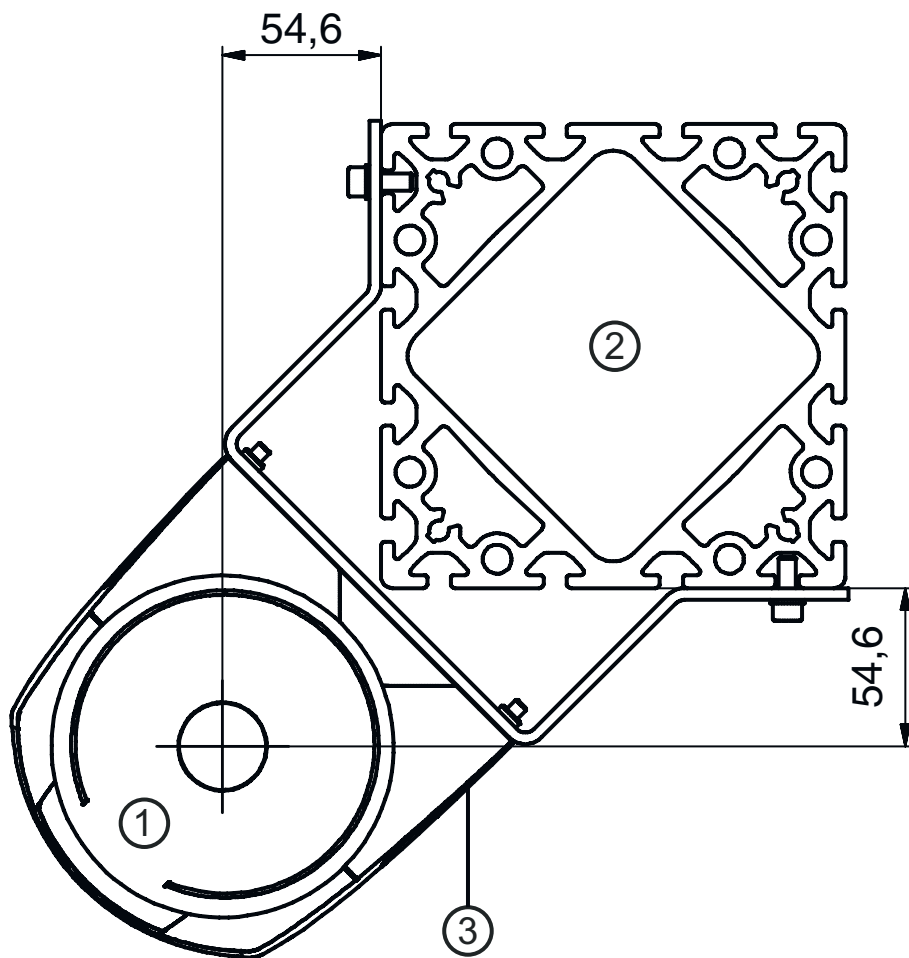
Dimensioned drawings

View A



Dimensioned drawings

Example: mounting on a post



- 1 Safety sensor
- 2 Column
- 3 BT856M mounting bracket